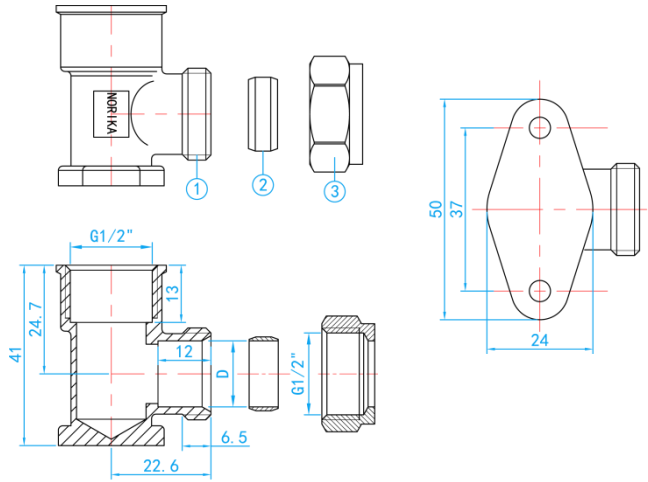


# COMPRESSION FI WALLPLATE ELBOW

COMPLY WITH BSEN1254-2:1998



### COMPONENT PARTS

ITEM	PARTS	MATERIAL
1	Body	CR Brass
2	Ring	Brass
3	Nut	Brass

### DIMENSIONS

SKU	D (mm)	WEIGHT (kg)	PCS/CTN
CRFE015	15	0.092	200