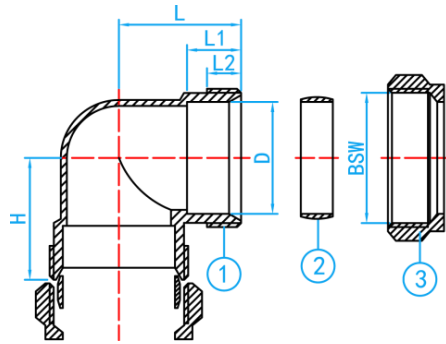


COMPRESSION ELBOW

COMPLY WITH BSEN1254-2:1998



SECTION VIEW

COMPONENT PARTS

ITEM	PARTS	MATERIAL
1	Body	CR Brass
2	Ring	Brass
3	Nut	Brass

DIMENSIONS

SKU	D (mm)	BSW	H (mm)	L (mm)	L1 (mm)	L2 (mm)	WEIGHT (kg)	PCS/CTN
CRCCE015	15	G1/2"	11	11	20	7.0	0.046	300
CRCCE020	22	1-1/8"	13	13	26.25	7.5	0.120	160
CRCCE025	28	1-3/8"	13.5	13.5	30.5	8.5	0.195	100
CRCCE035	35	1-5/8"	17	17	36	10.0	0.290	50
CRCCE042	42	1-64/67"	19	19	39.5	11.5	0.365	40
CRCCE050	54	2-31/64"	23.5	23.5	50.3	15.0	0.680	20