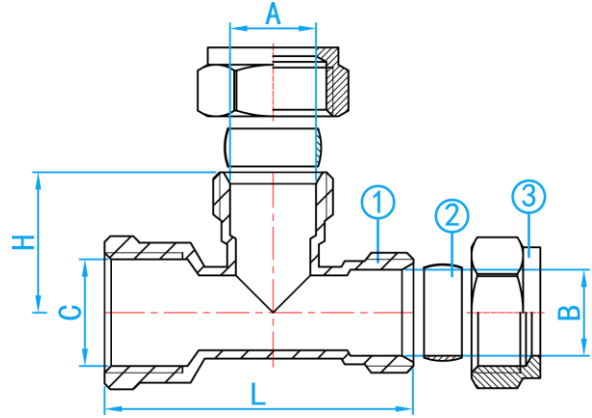


COMPRESSION [CXFIXC] TEE

COMPLY WITH BSEN1254-2:1998



SECTION VIEW

COMPONENT PARTS

| ITEM | PARTS | MATERIAL |
|------|-------|----------|
| 1 | Body | CR Brass |
| 2 | Ring | Brass |
| 3 | Nut | Brass |

DIMENSIONS

| SKU | A×B×C (mm x mm x inch) | H (mm) | L (mm) | WEIGHT (kg) | PCS/CTN |
|------------|---------------------------|-----------|-----------|----------------|---------|
| CRCFICT015 | 15×15×1/2" BSP | 24.5 | 54.8 | 0.100 | 150 |