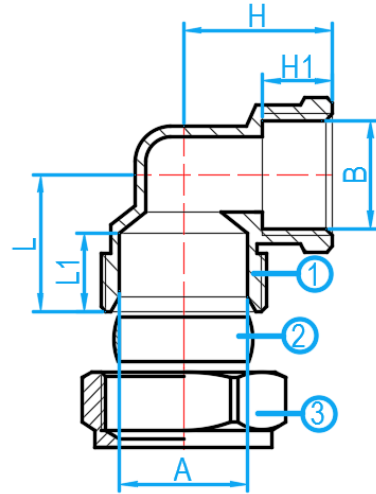
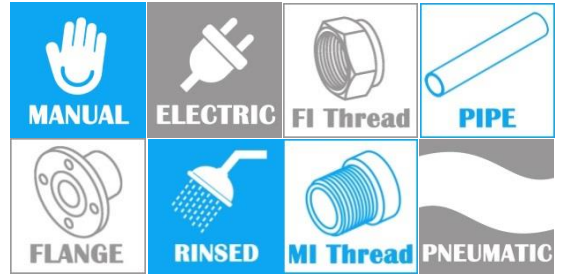


COMPRESSION [CXFI] REDUCING ELBOW

COMPLY WITH BSEN1254-2:1998



SECTION VIEW

COMPONENT PARTS

ITEM	PARTS	MATERIAL
1	Body	DZR Brass
2	Ring	Brass
3	Nut	Brass

DIMENSIONS

SKU	A×B (mm x inch)	H (mm)	H1 (mm)	L (mm)	L1 (mm)	WEIGHT (kg)	PCS/CTN
CRCFIE01520	15×3/4" BSP	28.1	18	25.0	11.5	0.101	240
CRCFIE02015	22×1/2" BSP	25.6	12	31.8	13.5	0.095	200
CRCFIE02515	28×1/2" BSP	35.0	12	29.0	14.5	0.151	160