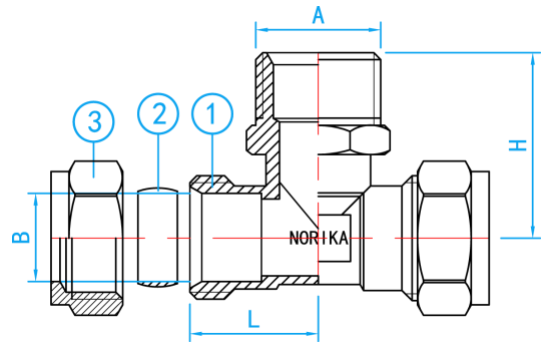


COMPRESSION [CXCXMI] TEE

COMPLY WITH BSEN1254-2:1998



SECTION VIEW

COMPONENT PARTS

ITEM	PARTS	MATERIAL
1	Body	CR Brass
2	Ring	Brass
3	Nut	Brass

DIMENSIONS

SKU	A (inch)	B (mm)	H (mm)	L (mm)	WEIGHT (kg)	PCS/CTN
CRCMIT015	R 1/2"	15	26	24	0.100	250
CRCMIT025	R 1"	28	41.5	31.5	0.241	80
CRCMIT042	R 1 1/2"	42	50	38.5	0.538	40