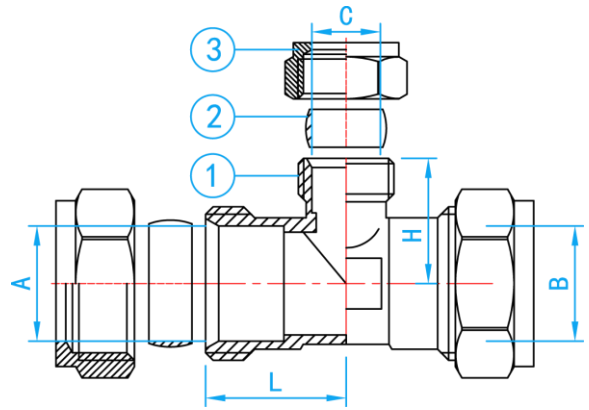
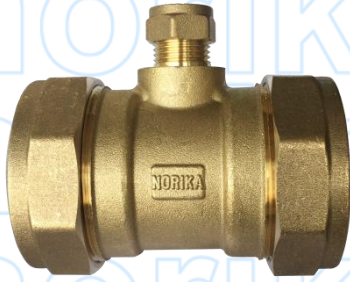
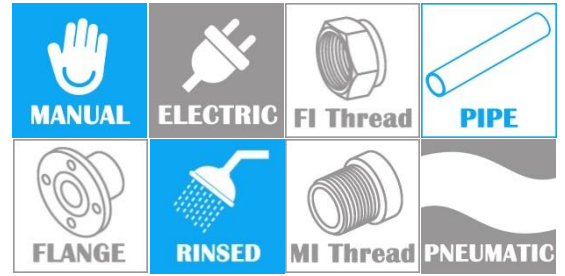


COMPRESSION [CXCXC] REDUCING TEE

COMPLY WITH BSEN1254-2:1998



SECTION VIEW

COMPONENT PARTS

| ITEM | PARTS | MATERIAL |
|------|-------|-----------|
| 1 | Body | DZR Brass |
| 2 | Ring | Brass |
| 3 | Nut | Brass |

DIMENSIONS

| SKU | A X B xC (mm) | H (mm) | L (mm) | WEIGHT (kg) | PCS/CTN |
|--------------|------------------|-----------|-----------|----------------|---------|
| CRCCT0151520 | 15 x 15 x 22 | 23.5 | 25.6 | 0.123 | 150 |
| CRCCT0201515 | 22 x 15 x 15 | 26.5 | 26.2 | 0.125 | 150 |
| CRCCT0202015 | 22 x 22 x 15 | 28.3 | 25.6 | 0.150 | 150 |
| CRCCT0201520 | 22 x 15 x 22 | 27.0 | 26.2 | 0.146 | 150 |
| CRCCT0252515 | 28 x 28 x 15 | 29.0 | 25.0 | 0.215 | 100 |
| CRCCT0353515 | 35 x 35 x 15 | 32.0 | 29.0 | 0.310 | 50 |
| CRCCT0353520 | 35 x 35 x 22 | 39.0 | 35.0 | 0.370 | 50 |
| CRCCT0353525 | 35 x 35 x 28 | 38.0 | 36.0 | 0.390 | 50 |
| CRCCT0424215 | 42 x 42 x 15 | 42.0 | 38.3 | 0.445 | 30 |
| CRCCT0424220 | 42 x 42 x 22 | 42.0 | 38.3 | 0.450 | 30 |
| CRCCT0505015 | 54 x 54 x 15 | 52.0 | 39.6 | 0.775 | 15 |
| CRCCT0505025 | 54 x 54 x 28 | 52.5 | 39.6 | 0.775 | 15 |