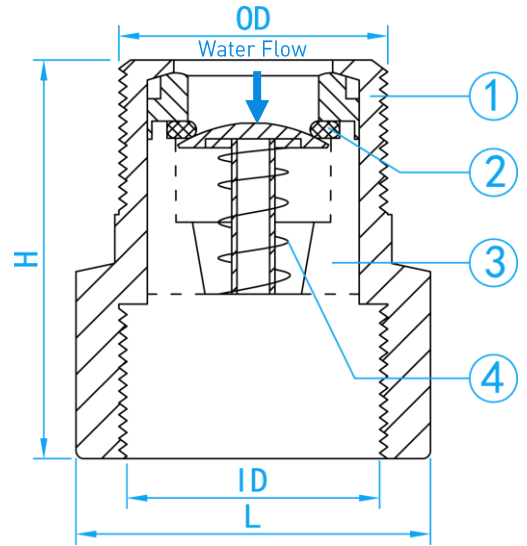


BRASS CHECK VALVE M x F

COMPLY WITH BS 5154:1991
 AS/NZS 4020:2005
 SS 375:2001
 BS EN 12165:1998



CROSS SECTIONAL VIEW

STANDARD SPECIFICATIONS

Working Pressure	200 Psi
Applicable Medium	Water

COMPONENT PARTS

ITEM	PARTS	MATERIAL
1.	Body	DZR Brass
2.	O-ring	EPDM
3.	Piston	POM
4.	Spring	AISI304

DIMENSIONS

SKU	SIZE (mm)	OD (inch)	ID (inch)	H (mm)	L (mm)	WEIGHT (kg)	PCS/CTN
CVCRN015MF	15	1/2" BSPT	1/2" BSP	35	25	0.048	340
CVCRN020MF	20	3/4" BSPT	3/4" BSP	38.5	36	0.091	200
CVCRN025MF	25	1" BSPT	1" BSP	49	43.5	0.167	120
CVCRN035MF	35	1-1/4" BSPT	1-1/4" BSP	60	48	0.273	80
CVCRN042MF	42	1-1/2" BSPT	1-1/2" BSP	67	54	0.357	48
CVCRN050MF	50	2" BSPT	2" BSP	75	74.5	0.555	30
CVCRN065MF	65	2-1/2" BSPT	2-1/2" BSP	80	80	0.997	20