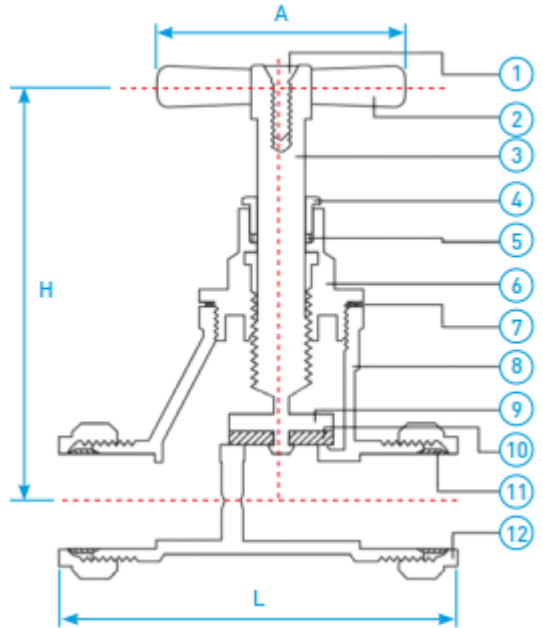


BRASS CR STOP COCK COMPRESSION END

COMPLY WITH SS75-2:1978
AS/NZS4020:2018
SS375:2015
BSEN12165:2016
BS 3457:1973



CROSS SECTIONAL VIEW

STANDARD SPECIFICATIONS

Working Pressure	200 Psi
Applicable Medium	Water

DIMENSIONS

SKU	SIZE (mm)	A (mm)	H1 (mm)	L (mm)	WEIGHT (kg)	PCS/CTN
SCCRN015	15	50	75	83	0.289	80
SCCRN020	20	55	90	100	0.490	40
SCCRN025	25	65	110	120	1.275	20

COMPONENT PARTS

ITEM	PARTS	MATERIAL
1	Screw	Brass
2	Handle	DZR Brass
3	Spindle	DZR Brass
4	Gland Nut	DZR Brass
5	Gland Packing	Teflon
6	Head	DZR Brass
7	Gasket	PTFE
8	Body	DZR Brass
9	Washer Plate	DZR Brass
10	Washer	EPDM
11	Compression Ring	Brass
12	Compression Nut	Brass