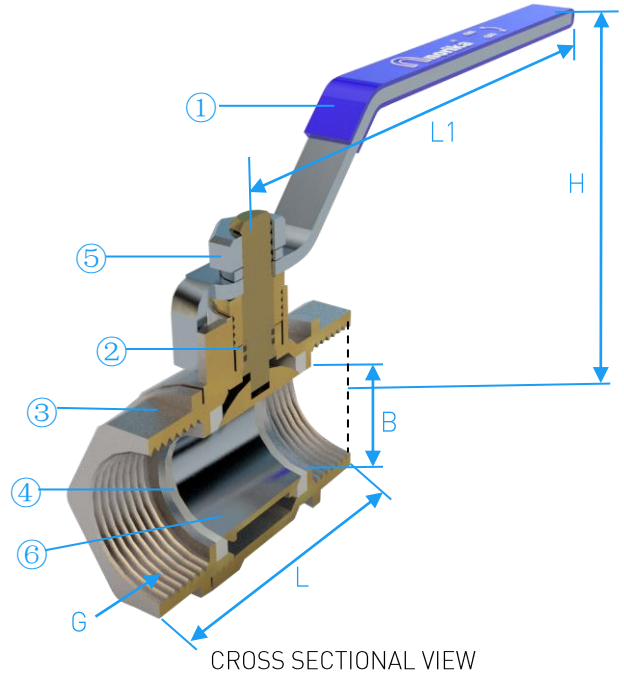


CR BRASS FULL BORE BALL STOP VALVE CHROME PLATED

COMPLY WITH BSEN13828:2003
 BSEN12165: 2011
 AZ/NZS4020:2005
 SS 375:2015



CROSS SECTIONAL VIEW

COMPONENT PARTS

ITEM	PARTS	MATERIAL
1	Handle	PVC Coated Steel
2	O-ring	EPDM
3	Valve Body	DZR Brass
4	Seat	PTFE
5	Nut	AISI304
6	Ball	DZR Brass

STANDARD SPECIFICATIONS

Max Pressure	16bars
Working Medium	Water
Working Temperature	-20°C ≤ t ≤ 120 °C

DIMENSIONS

SKU	DN (mm)	G (inch)	H (mm)	B (mm)	L (mm)	L1 (mm)	WEIGHT (kg)	PCS/CTN
BVCRN015F	15	½" BSP	46.5	13	47	96	0.17	120
BVCRN020F	20	¾" BSP	52	17	53	100	0.26	80
BVCRN025F	25	1" BSP	56	23	64	120	0.41	64
BVCRN035F	32	1¼" BSP	68	28	79	135	0.66	32
BVCRN042F	42	1½" BSP	78	36	85	145	1.11	24
BVCRN050F	50	2" BSP	86	47	100	145	1.20	16
BVCRN065F	65	2½" BSP	108	62	135	210	2.00	8
BVCRN080F	80	3" BSP	140	74	150	240	2.36	4
BVCRN100F	100	4" BSP	153	98	180	240	5.50	2