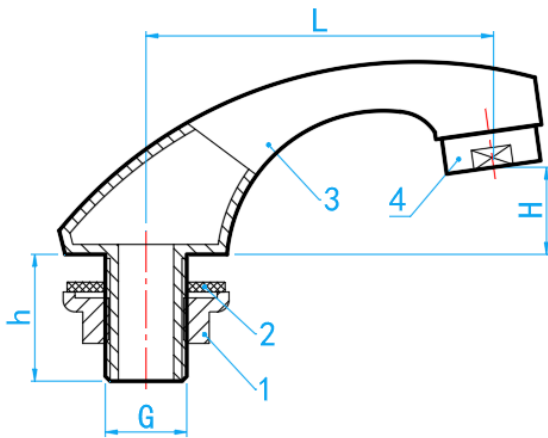
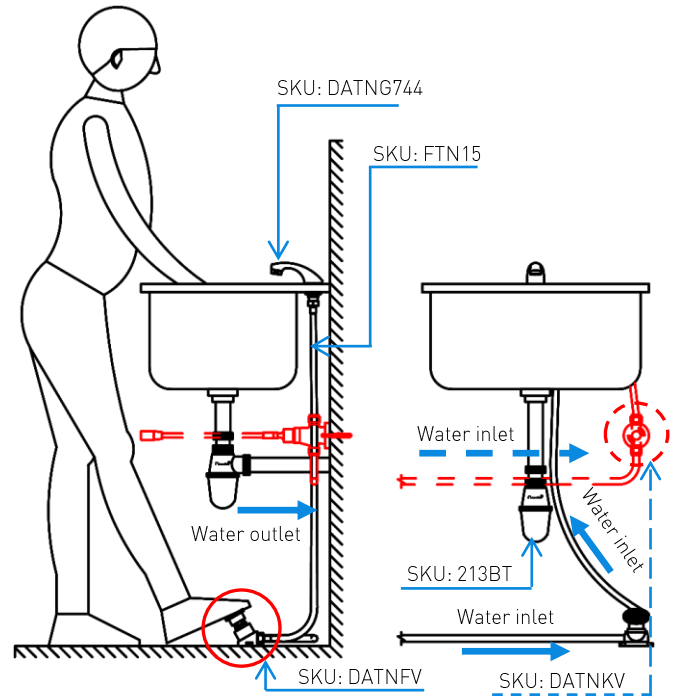


# BASIN-MOUNTED OUTLET SPOUT



SECTION VIEW



APPLICATION

\* Compatible with foot operated valve(DATNFV) or knee operated valve(DATNKV) and flexible hose (FTN15-) at kitchen sink or hospital sink.

## COMPONENT PARTS

ITEM	PARTS	MATERIAL
1.	Nut	Brass
2.	Washer	NBR
3.	Body	Brass
4.	Bubbler	Brass/EPDM/POM

## STANDARD SPECIFICATIONS

Nominal pressure	0.6MPa
Working Medium	Water
Working Temperature	0°C ≤ t ≤ 90 °C

## STANDARD SPECIFICATIONS

SKU	G (inch)	L (mm)	H (mm)	h (mm)	WEIGHT (kg)	PCS/CTN
DATNG744	1/2"	88	22	32	0.365	20