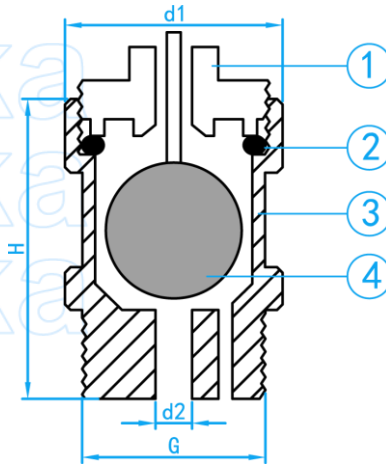


# AUTOMATIC AIR RELEASE VALVE

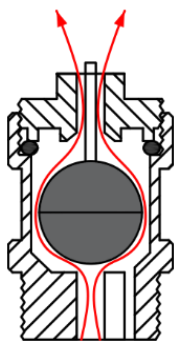


CROSS SECTIONAL VIEW

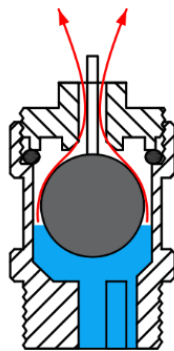


INSTALLATION ASSEMBLY

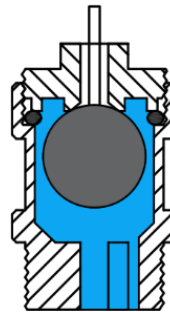
## Working Principle:



**OPEN**  
Air under pressure  
Flows out



**CLOSING**  
Liquid causes  
poppet to rise; air  
under pressure still  
flows out



**CLOSED**  
As liquid continues to  
rise, poppet seals  
against orifice

SPECIFICATION	
Hydraulic Test Pressure	300 PSI
Working Pressure	175 PSI

## COMPONENT PARTS

ITEM	PARTS	MATERIAL
1	Cap	Brass
2	Seal	EPDM
3	Body	Brass
4	Rubber	EPDM

## DIMENSIONS

SKU	SIZE (mm)	d1(mm)	d2 (mm)	G(inch)	H(mm)	WEIGHT(kg)	PCS/CTN
FAV025	25	39	6.6	1" BSP	55	0.304	50