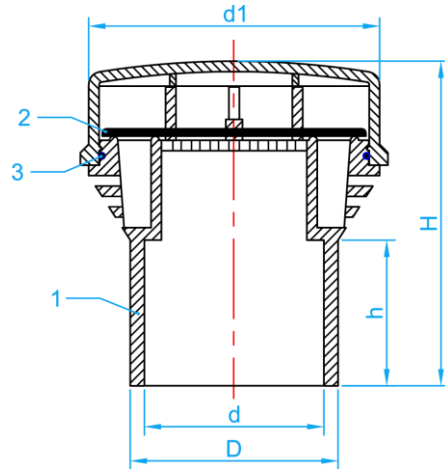
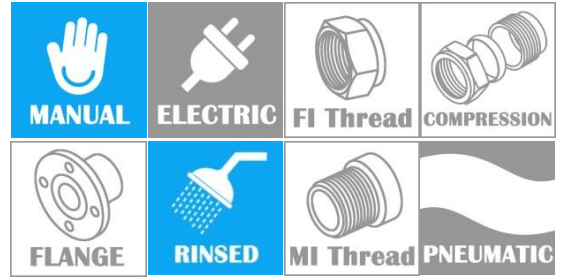


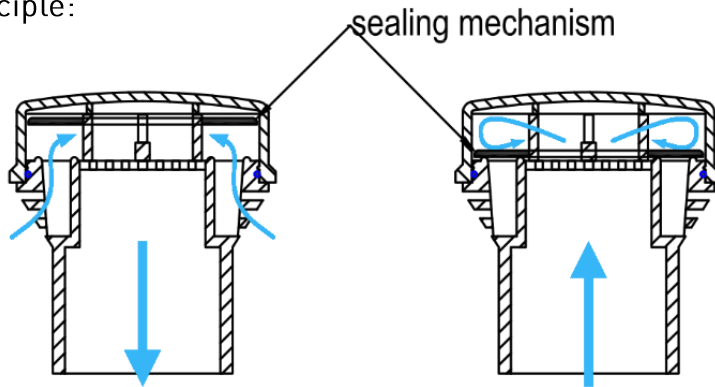
AIR ADMITTANCE VALVE

COMPLY WITH BSEN12380



CROSS SECTIONAL VIEW

Working Principle:



Basin draining

Waste piping under negative pressure sealing mechanism is lifted to let air into the system

System at rest

Sealing mechanism is closed when there is positive pressure from gases

SPECIFICATION	
Hermetically sealed	10000Pa
Opening pressure	0Pa~ -150Pa
Operating Temperature	-20° ~ 60°

COMPONENT PARTS		
ITEM	PARTS	MATERIAL
1	Body	ABS ALLOY
2	Pad	SILICA GEL
3	O-ring	NBR

DIMENSIONS

SKU	D (mm)	d (mm)	d1 (mm)	H (mm)	h (mm)	WEIGHT (kg)	PCS/CTN
AAVN	50	43.2	68	78	35	0.075	72