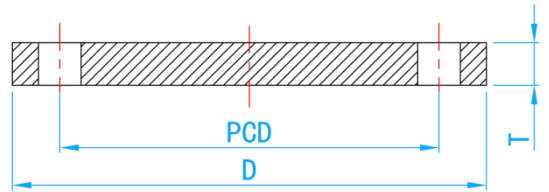
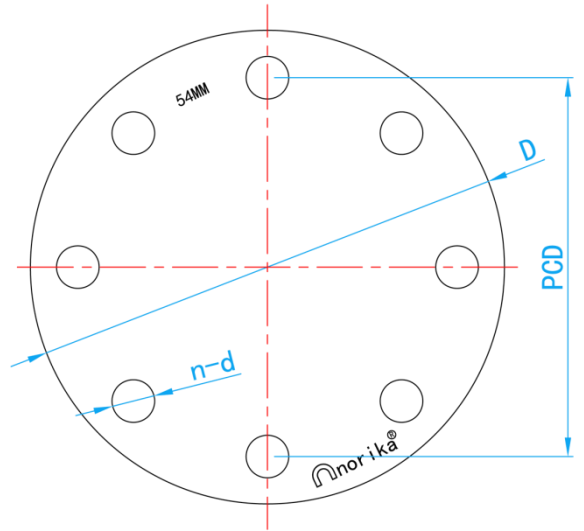
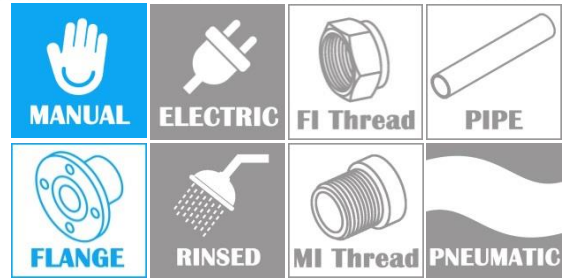


AW BLANK FLANGE

COMPLY WITH JIS 10K



CROSS SECTIONAL VIEW

COMPONENT PARTS

PARTS	MATERIAL
Flange	UPVC

DIMENSIONS

SKU	SIZE (mm)	PCD (mm)	n-d (mm)	D (mm)	T (mm)	WEIGHT (kg)
AWBF042	42	105	4-19	140	20	0.440
AWBF050	50	120	4-19	155	20	0.530
AWBF065	65	140	4-19	175	20	0.690
AWBF080	80	150	8-19	185	20	0.770
AWBF100	100	175	8-19	210	20	1.025
AWBF150	150	240	8-23	280	20	1.770
AWBF200	200	290	12-23	330	20	2.540
AWBF250	250	355	12-25	400	20	3.600
AWBF300	300	400	16-25	445	20	4.480