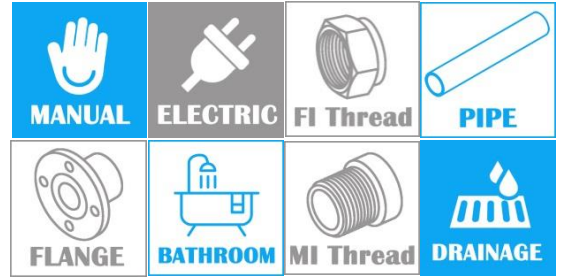
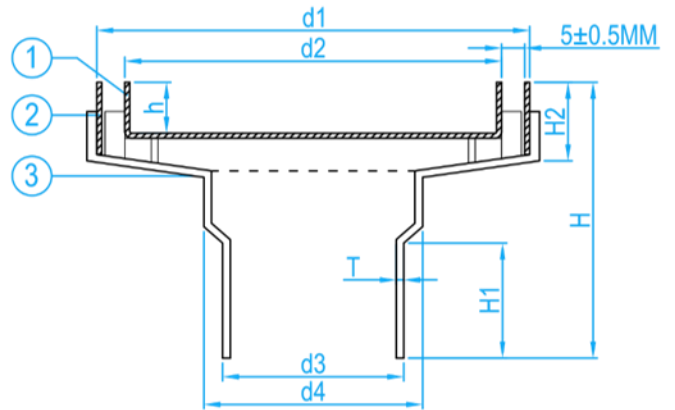


# STAINLESS STEEL DECORATIVE SMARTDRAIN

COMPLY WITH SS213:1998



INSTALLATION EFFECT



CROSS SECTIONAL VIEW

\* AISI316L material is available upon request.

CHARACTERISTIC	
Main function	Drainage, sealing
Surface treatment	Hairline
Applications	Sleek and modern smartdrain for use in residential, hotels, apartments, office buildings. HDB. Villas

COMPONENT PARTS		
ITEM	PARTS	MATERIAL
1	Tray	AISI304L
2	Frame	AISI304L
3	Base	UPVC

DIMENSIONS												
SKU	d1 (mm)	d2 (mm)	d3 (mm)	d4 (mm)	H (mm)	H1 (mm)	H2 (mm)	h (mm)	T (mm)	WEIGHT (Kg)	PCS/CTN	
SMARTDRAIN12550T	127.5	113.5	50.2	66.2	100	44	25	15.5	2.3	0.54	20	
SMARTDRAIN12550M					110					0.64		