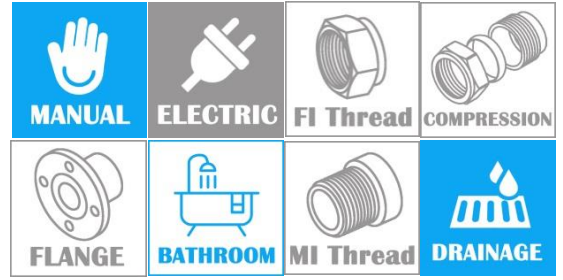
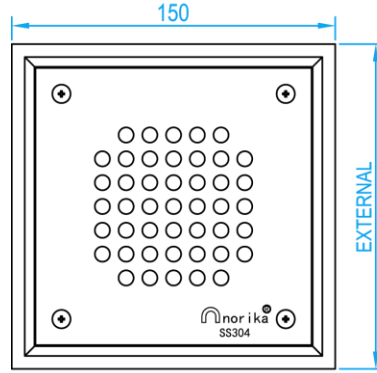


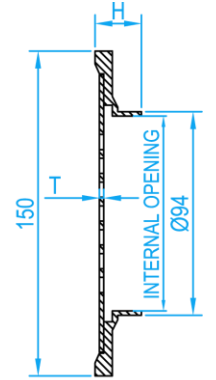
# AISI304 CASTING FLOOR/ GULLY TRAP GRATING (SQUARE RECESS EDGE COVER)



SSCGN150HLS



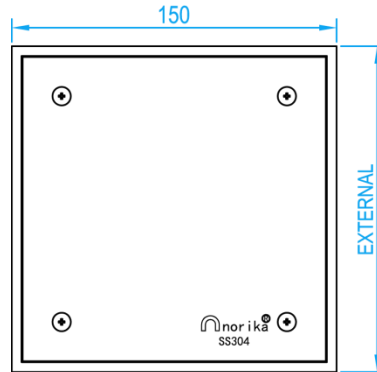
TOP VIEW



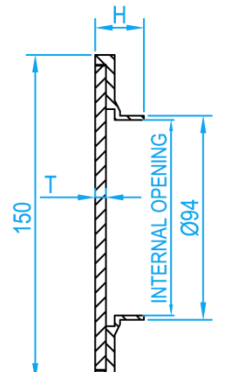
CROSS SECTIONAL VIEW



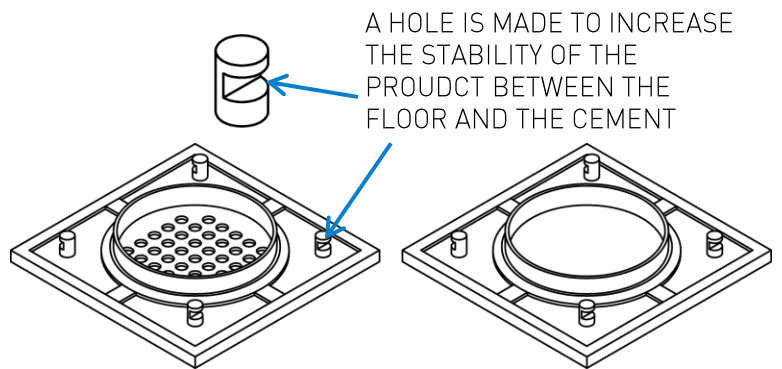
SSCGN150NHLSHD



TOP VIEW



CROSS SECTIONAL VIEW



COMPONENT PARTS	
PARTS	MATERIAL
Grating	AISI304

**DIMENSIONS**

SKU	SURFACE	INTERNAL OPENING (mm)	T (mm)	EXTERNAL (mm)	H (mm)	WEIGHT (kg)	PCS/CTN
SSCGN150HLS	Hairline	90	2	150×150	21.5	0.84	20
SSCGN150NHLS	Hairline	90	2	150×150	21.5	0.88	20
SSCGN150HLSHD (Heavy Duty)	Hairline	90	5	150×150	22.5	1.21	20
SSCGN150NHLSHD (Heavy Duty, No Hole)	Hairline	90	5	150×150	22.5	1.26	20