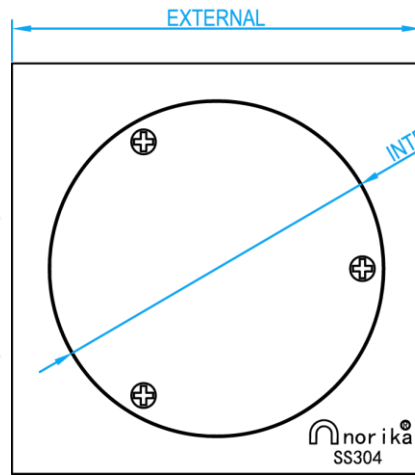
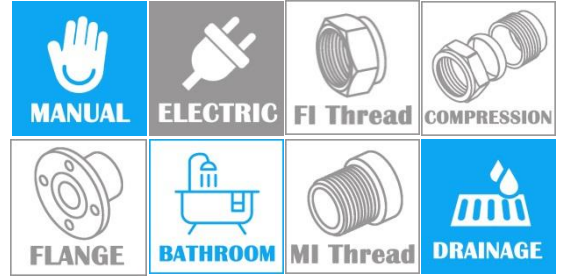


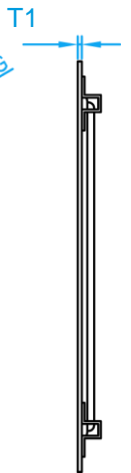
STAINLESS STEEL AISI304 SQUARE GRATINGS

COMPLY WITH SS213:1998

NO HOLE

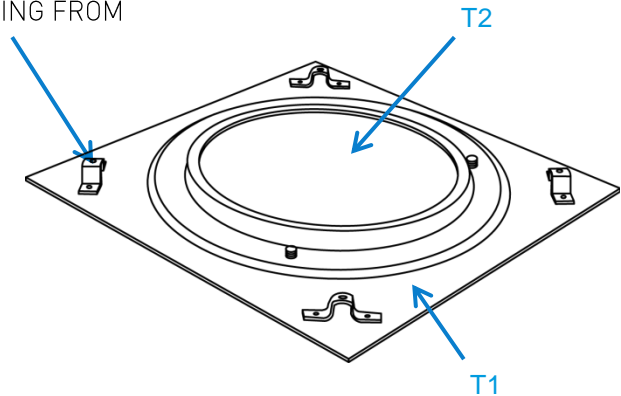


TOP VIEW



SIDE VIEW

GRIPS ARE ADDED TO HOLD ONTO THE CEMENT AND PREVENT GRATING FROM SLIPPING OFF



DIMENSIONS

SKU	MATERIAL	SURFACE	INTERNAL OPENING (mm)	T1×T2 (mm)	EXTERNAL (mm)	WEIGHT (kg)	PCS/CTN
SSGN100HLNH-R3P	AISI304L	HAIRLINE	Ø86	1.5×2.0	100×100	0.138	100
SSGN150HLNH-R3P	AISI304L	HAIRLINE	Ø123	1.5×2.0	150×150	0.340	40