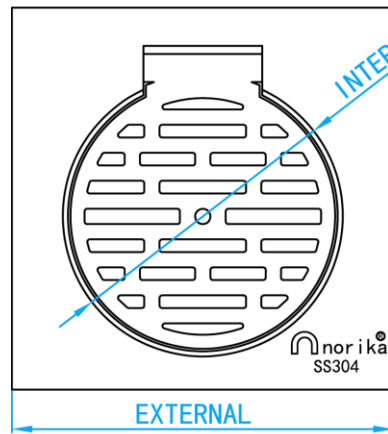
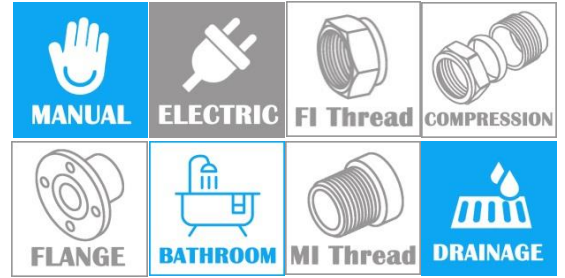


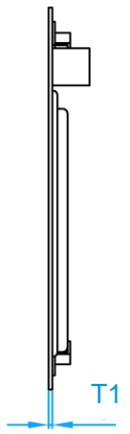
STAINLESS STEEL AISI304 & AISI316 SQUARE GRATINGS

COMPLY WITH SS213:1998

JAPANESE DESIGN



TOP VIEW

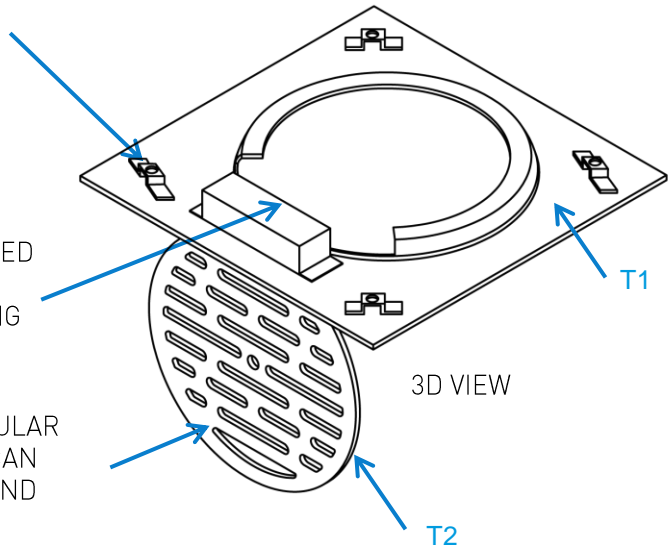


SIDE VIEW

GRIPS ARE ADDED TO HOLD ONTO THE CEMENT AND PREVENT GRATING FROM SLIPPING OFF.

ADDITIONAL COVER IS DESIGNED TO ENABLE THE LID TO BE OPENED EASILY BY PREVENTING CEMENT FROM SEEPING IN.

150x150MM WITH HOLE REGULAR STYLE: 2MM THICK COVER, CAN INCREASE LOAD-BEARING AND PREVENT DEFORMATION.



3D VIEW

DIMENSIONS

SKU	MATERIAL	SURFACE	INTERNAL OPENING (mm)	T1×T2 (mm)	EXTERNAL (mm)	WEIGHT (kg)	PCS/CTN
SSGN100HLJ	AISI304L	HAIRLINE	70	1.5×2.0	100×100	0.300	100
SSGN150HLJ	AISI304L	HAIRLINE	105	1.5×2.0	150×150	0.315	40