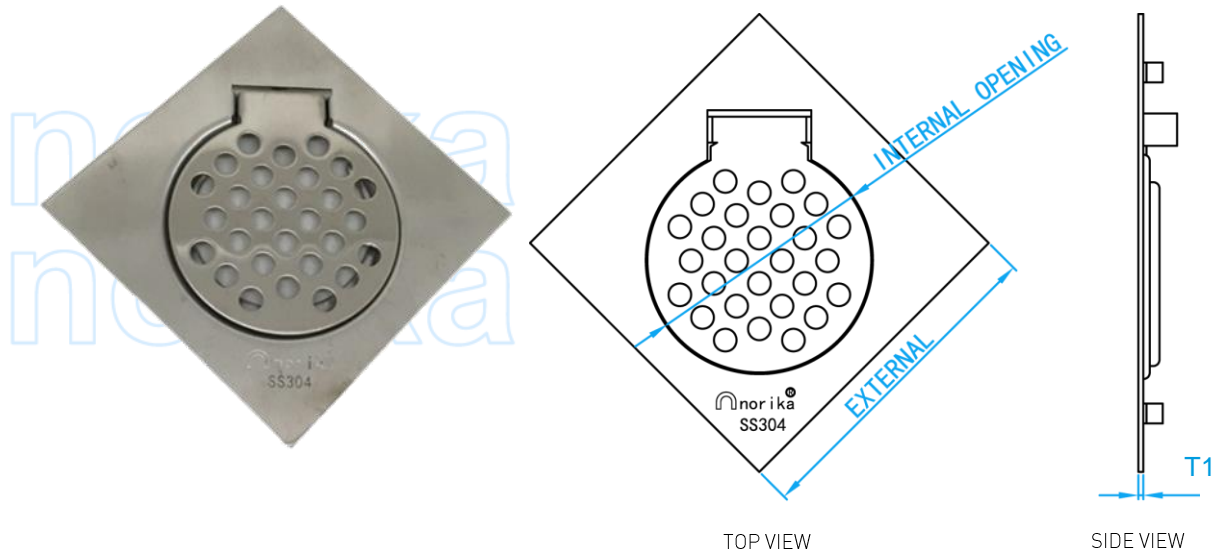
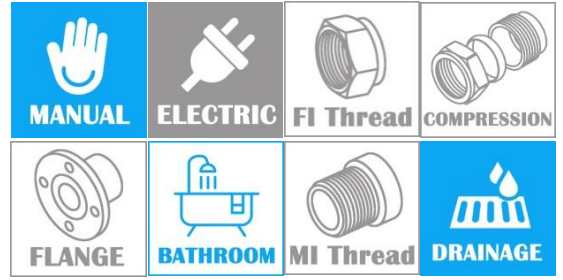


# STAINLESS STEEL AISI304 & AISI316 SQUARE GRATINGS

COMPLY WITH SS213:1998

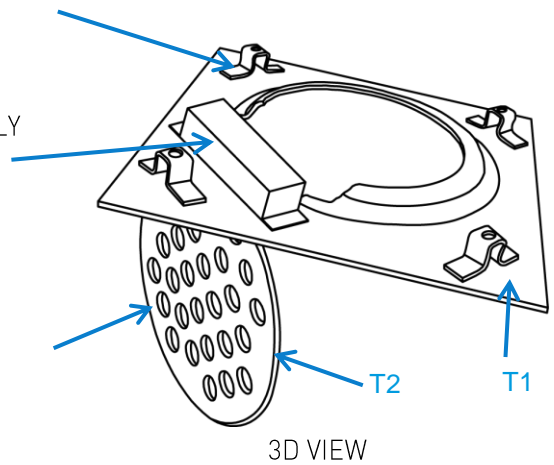
ANGLE



GRIPS ARE ADDED TO HOLD ONTO THE CEMENT AND PREVENT GRATING FROM SLIPPING OFF.

ADDITIONAL COVER IS DESIGNED TO ENABLE THE LID TO BE OPENED EASILY BY PREVENTING CEMENT FROM SEEPING IN.

150x150MM WITH HOLE REGULAR STYLE: 2MM THICK COVER, CAN INCREASE LOAD-BEARING AND PREVENT DEFORMATION.



## DIMENSIONS

SKU	MATERIAL	SURFACE	INTERNAL OPENING (mm)	T1×T2 (mm)	EXTERNAL (mm)	WEIGHT (kg)	PCS/CTN
SSGN100HLA	AISI304L	HAIRLINE	70	1.5×1.5	100×100	0.126	100
SSGN150HLA	AISI304L	HAIRLINE	105	1.5×2.0	150×150	0.303	40