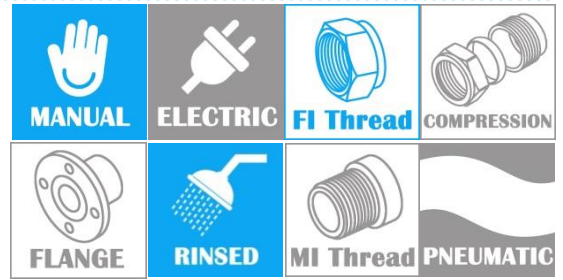
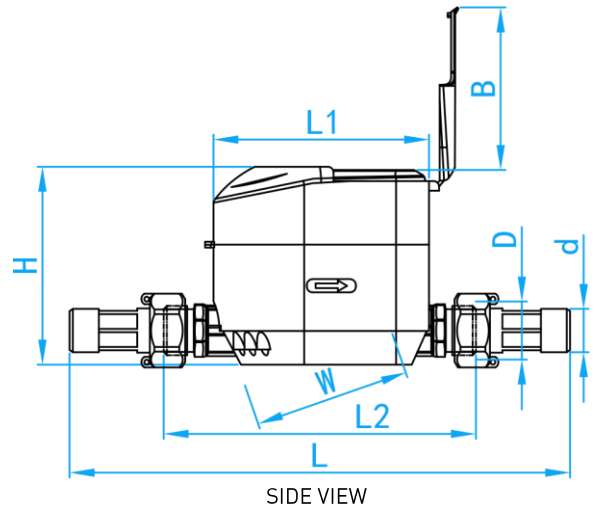


ULTRASONIC MODBUS WATER METER

COMPLY WITH ISO 4064-1
ISO 4064-2



Wire material used: RS485 bus RVV4x (0.2-1mm²) shielded wire.



STANDARD SPECIFICATIONS

Water Temperature	0°C ≤ t ≤ 30°C
Operating Pressure	≤ 1.6Mpa
Operating Voltage	DC 12 V
Battery Lifespan	6 Years
Communication transmission rate	9600 B/S

COMPONENT PARTS

ITEM	PARTS	MATERIAL
1	Lid	ABS
2	Sealed Register	PC+ABS+POM
3	Communications	/
4	Body	Brass
5	Single Jet Impeller	ABS

FLOW RATE SPECIFICATIONS

SKU	SIZE(mm)	QS Maximum flow rate [m ³ /h]	QP Nominal flow rate [m ³ /h]	Qt Transitional flow rate [m ³ /h]	Qmin Minimum flow rate [m ³ /h]
WMSUN015	15	3.125	2.5	0.016	0.010
WMSUN020	20	5.000	4.0	0.026	0.016
WMSUN025	25	7.875	6.3	0.040	0.025
WMSUN035	32	12.500	10.0	0.064	0.040
WMSUN042	40	20.000	16.0	0.102	0.064

DIMENSIONS

SKU	L(mm)	L1(mm)	L2(mm)	W(mm)	D(mm)	d(mm)	H(mm)	B(mm)	WEIGHT(kg)	PCS/CTN
WMSUN015	262	114	165	96	G ¾"	R ½"	106	85	0.93	12
WMSUN020	300	114	195	96	G 1"	R ¾"	106	85	1.20	5
WMSUN025	347	114	225	96	G 1 ¼"	R 1"	110	85	1.65	8
WMSUN035	307	114	180	96	G 1 ½"	R 1 ¼"	135	85	1.91	5
WMSUN042	329	114	200	96	G 2"	R 1 ½"	137	85	2.60	10

*1) Ensure the water meter is installed in the correct water flow direction.

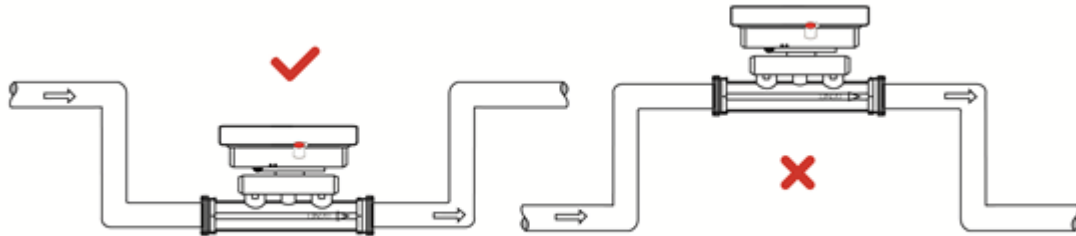
2) Always select the correct size and specification for the meter.

3) These water meters can be installed in either horizontal or vertical positions, but the correct installation guidelines must be strictly followed. Failure to comply will result in damage to the meter and void the warranty.

4) Use exclusively for indoor installations.

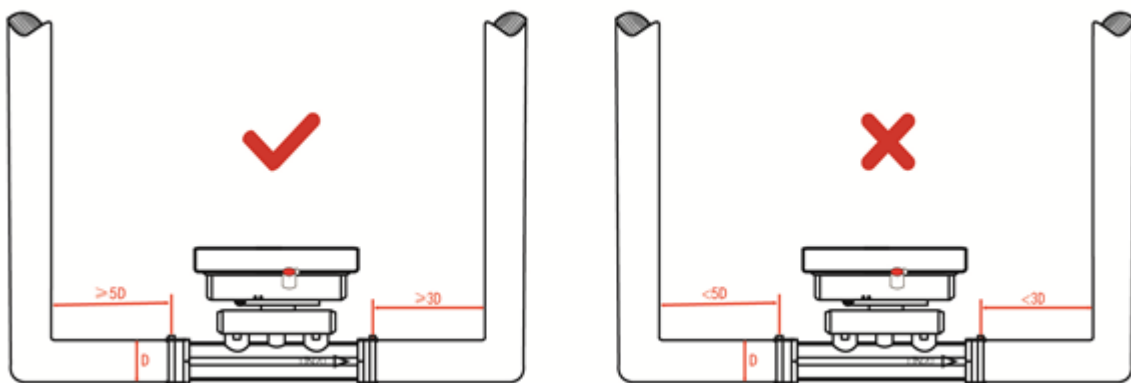
Guideline for correct installations of ultrasonic modbus water meter (Threaded End)

Figure 1 – Horizontal Installation



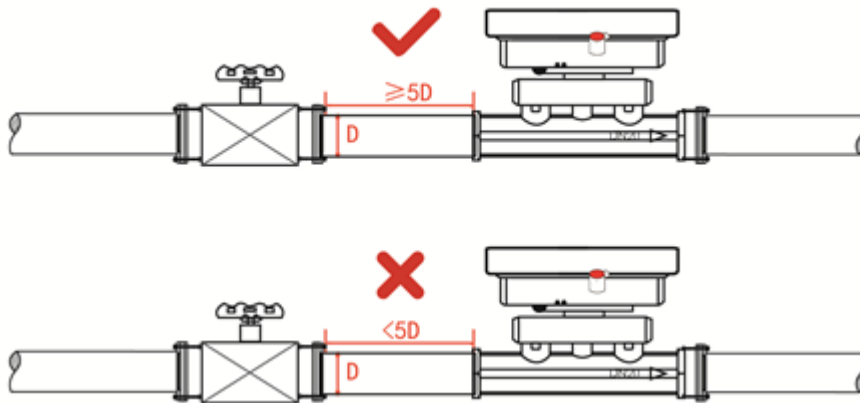
When installing on a U-shaped pipe, place the meter at the lowest point. Air can accumulate at higher points in the pipeline, leading to inaccurate or unmeasurable readings.

Figure 2 - Horizontal Installation



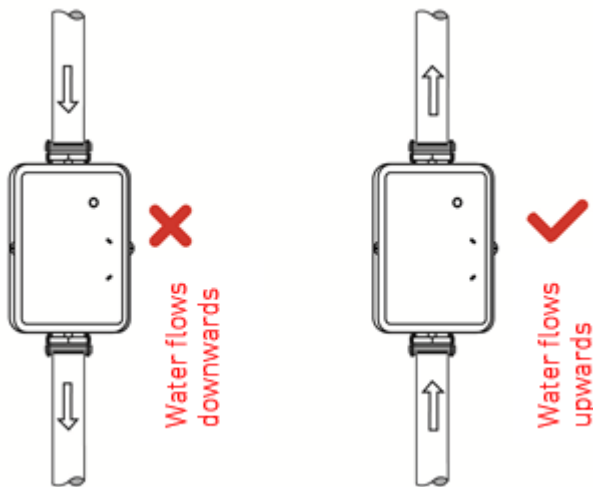
When installing the meter at a bend, ensure that the straight pipe upstream is at least 5 times the pipe diameter, and the straight pipe downstream is at least 3 times the pipe diameter. Failure to do so may result in inaccurate meter readings.

Figure 3 - Horizontal Installation



When installing valves or other objects upstream of the meter, ensure there is a distance of at least 5 times the pipe diameter between the meter and the object. Failure to maintain this distance can result in inaccurate meter readings.

Figure 4 – Vertical Installation



When installing the meter vertically, ensure it is placed on a straight pipeline with water flowing upwards. Installing it on a pipeline with water flowing downwards can result in inaccurate or failed measurements due to the influence of gravity, which may prevent the pipeline from filling completely with water.