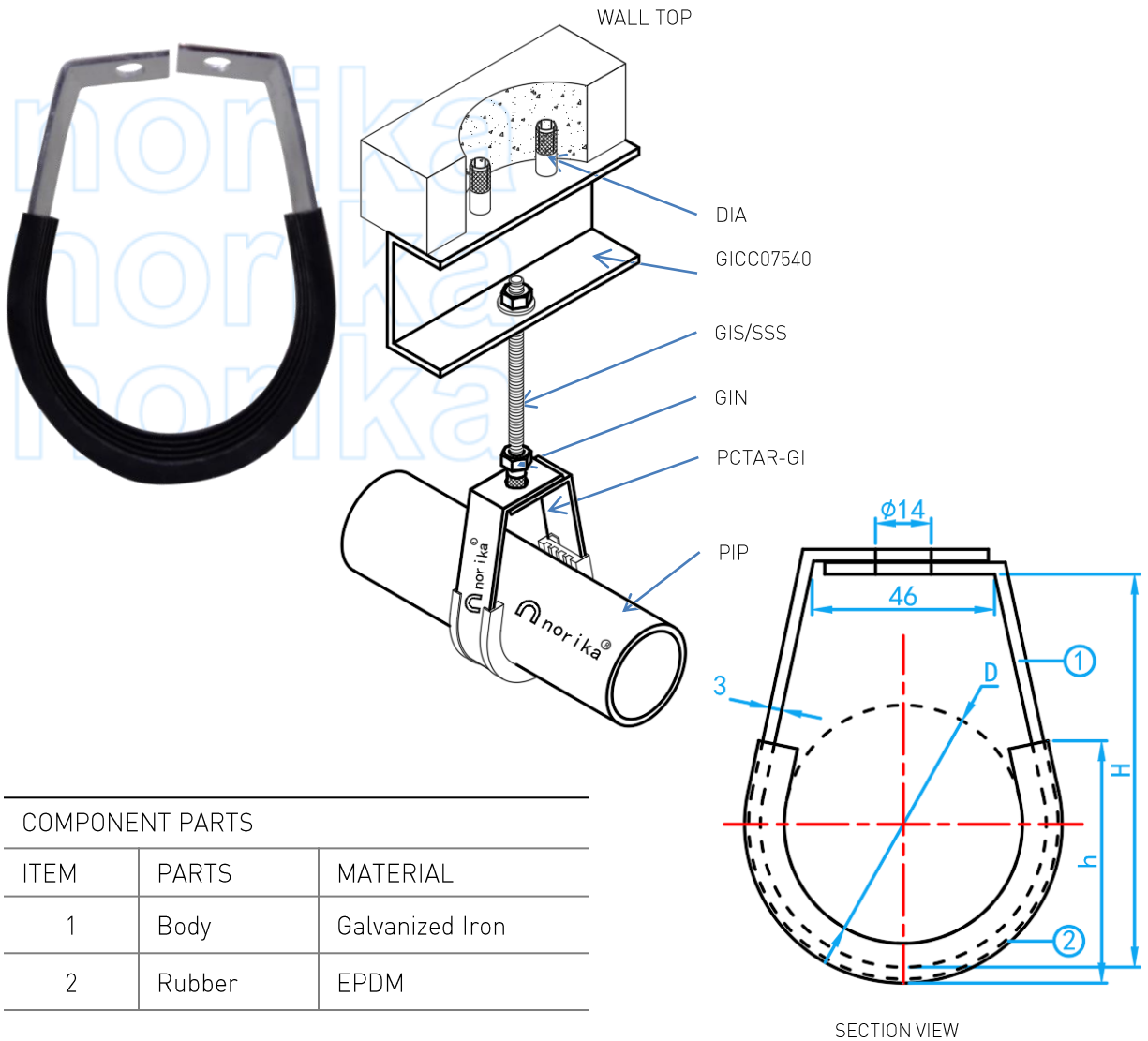
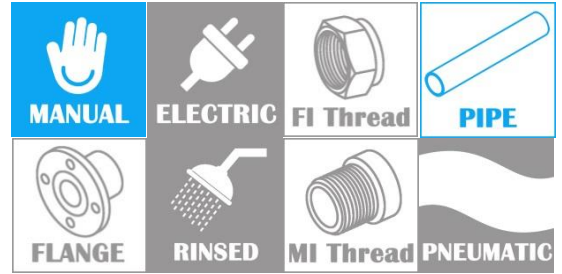


PIPE CLAMP HOT DIPPED GALVANIZED



COMPONENT PARTS		
ITEM	PARTS	MATERIAL
1	Body	Galvanized Iron
2	Rubber	EPDM

DIMENSIONS						
SKU	SIZE (mm)	D (mm)	H (mm)	h (mm)	WEIGHT (kg)	PCS/CTN
PCTAR050GI	50	60	110	95	0.197	60
PCTAR080GI	80	100	127	100	0.286	45
PCTAR100GI	100	120	170	120	0.354	50
PCTAR150GI	150	172	250	172	0.525	30
PCTAR200GI	200	223	330	223	0.683	30