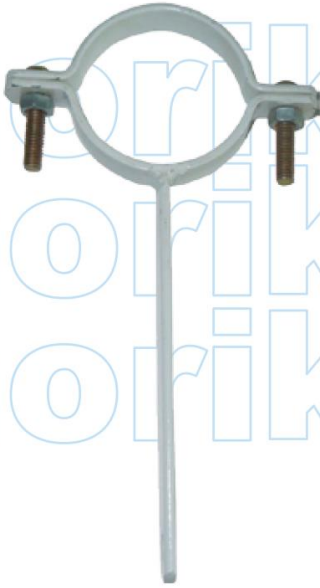
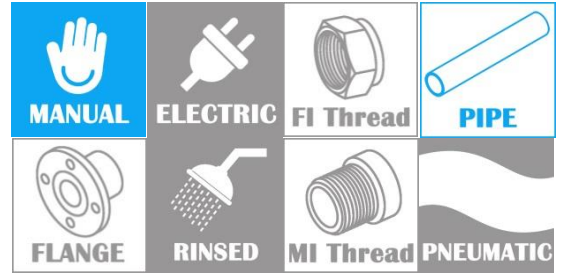
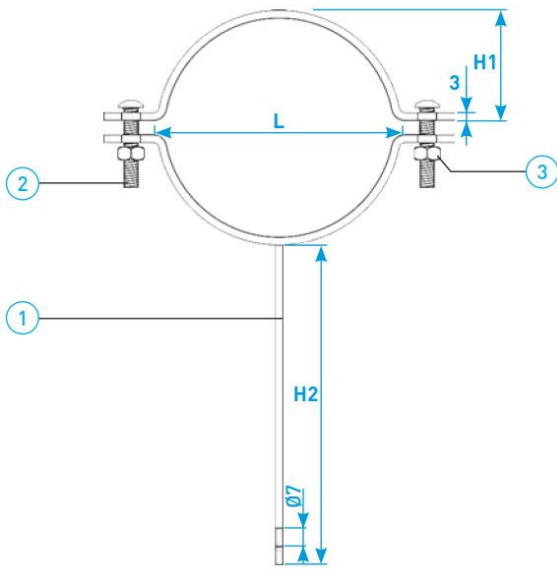


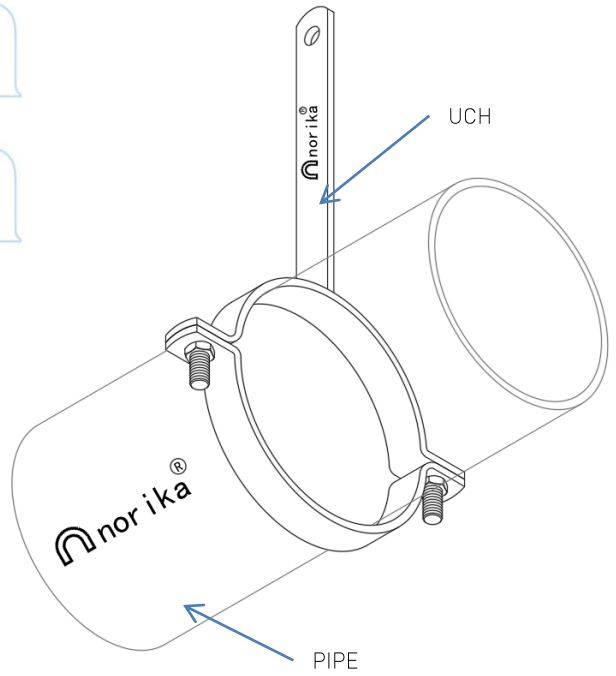
UPVC COATED
HOLDERBAT



norika
norika
norika



SIDE VIEW



COMPONENT PARTS

ITEM	PARTS	MATERIAL
1	Body	Q235
2	Screw	Steel
3	Nut	Q235

DIMENSIONS

SKU	SIZE (mm)	L (mm)	H1 (mm)	H2 [mm]	WEIGHT (kg)	PCS/CTN
UCH050	50	60	28.5	120	0.138	-
UCH080	80	91	41.5	120	0.146	145
UCH100	100	119	55	120	0.192	50
UCH150	150	175	76	180	0.282	50