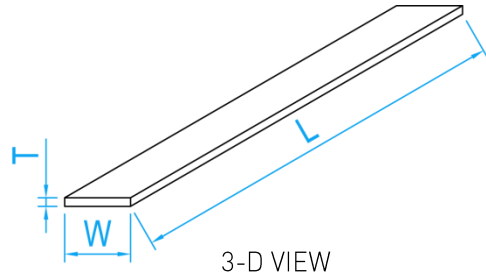
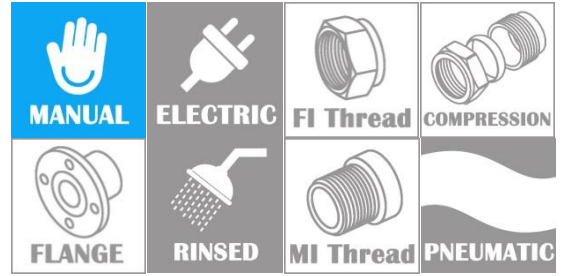


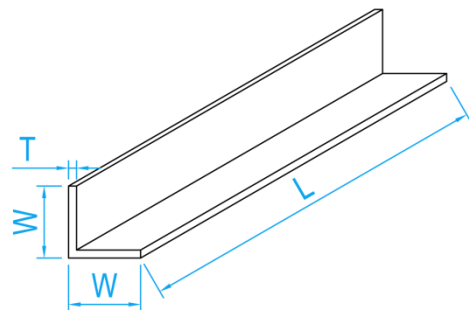
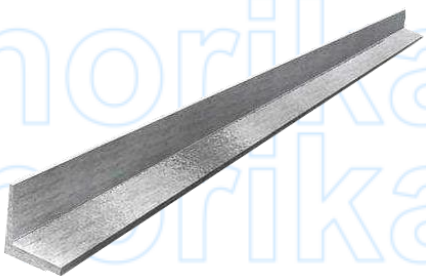
FLAT BAR & HOT DIPPED GALVANIZED IRON ANGLE BAR



*Allowable thickness deviation +0.3mm or -0.5mm

DIMENSIONS

SKU	MATERIAL	L (mm)	W (mm)	T (mm)	WEIGHT (kg)
AFB20	ALUMINIUM	6000	19.0	2.85	0.900
AFB25	ALUMINIUM	6000	25.0	2.75	1.100
GIFB25	HOT DIPPED GALVANIZED	6000	25.3	3.40	4.000
GIFB30	HOT DIPPED GALVANIZED	6000	30.0	3.00	4.000
GIFB38	HOT DIPPED GALVANIZED	6000	40.0	3.20	5.800



*Allowable thickness deviation +0.3mm or -0.5mm

3-D VIEW

DIMENSIONS

SKU	MATERIAL	L (mm)	W (mm)	T (mm)	WEIGHT (kg)
GIAB25	HOT DIPPED GALVANIZED	6000	29	2.5	6.000
GIAB30	HOT DIPPED GALVANIZED	6000	29	3.2	6.700
GIAB403	HOT DIPPED GALVANIZED	6000	40	3.5	11.100
GIAB404	HOT DIPPED GALVANIZED	6000	40	4.0	13.500
GIAB504	HOT DIPPED GALVANIZED	6000	51	4.2	17.500