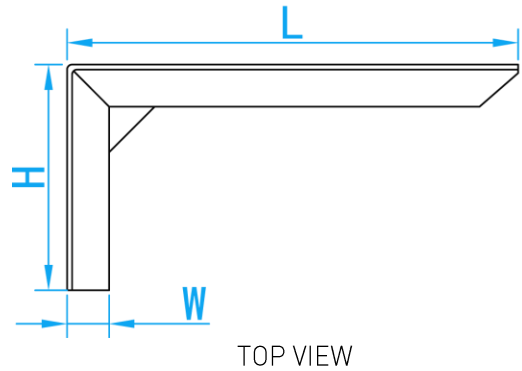
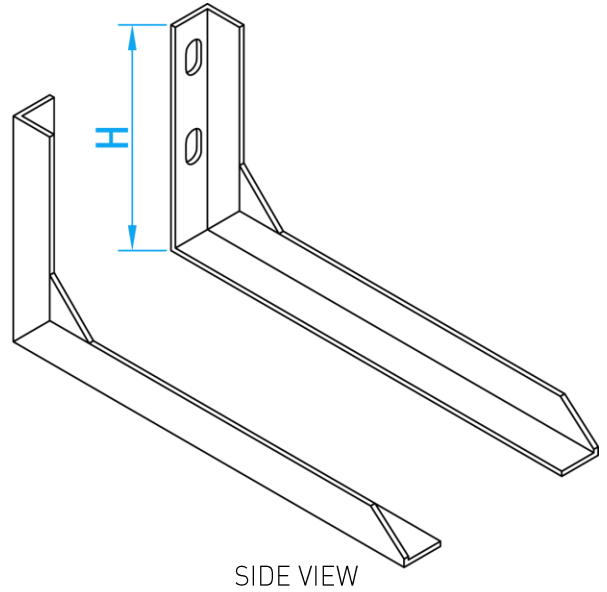
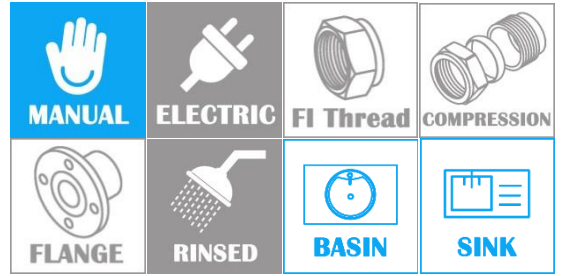


# ANGLE BRACKET



COMPONENT PARTS

MATERIAL	Galvanized Iron
----------	-----------------

DIMENSIONS

SKU	L (mm)	W (mm)	THICKNESS (mm)	H (mm)	WEIGHT (kg)	PCS/CTN
BAB	268	25	2.5	134	0.832	30
SAB	425	25	2.5	148	1.020	20