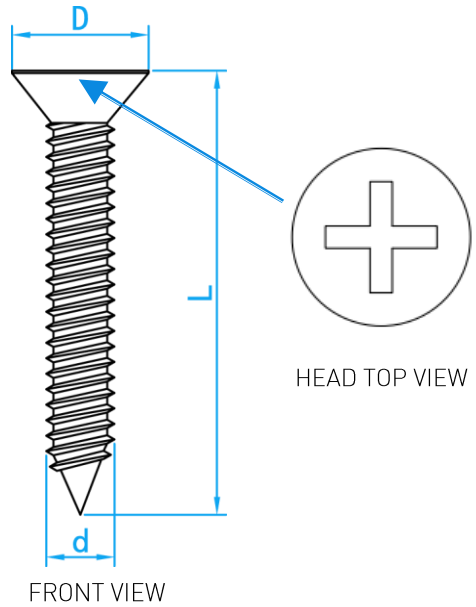


STAINLESS STEEL 316 SELF TAPPING SCREW

MANUAL	ELECTRIC	FI Thread	COMPRESSION
FLANGE	RINSED	MI Thread	SINK



COMPONENT PARTS

ITEM	PARTS	MATERIAL
1	Body	AISI316

DIMENSIONS

SKU	Pitch of Screw Thread (mm)	Thread Depth (mm)	Assembly Torque (kgf.cm)	Vickers Hardness (HV)
SS316STS114	1.4	0.45	≥ 29	≥ 250

DIMENSIONS

SKU	d	D (mm)	L (mm)	Weight (kg)	PCS/CTN
SS316STS114	ST4	7.14-7.5	33.7-36.3	0.0018	5000