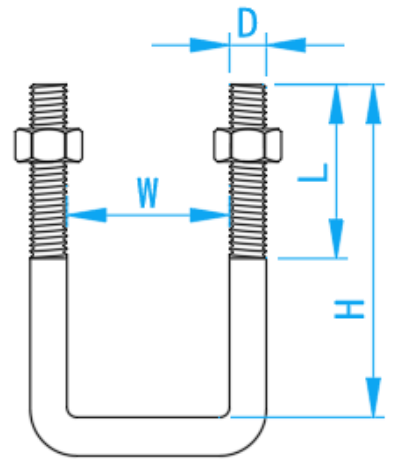
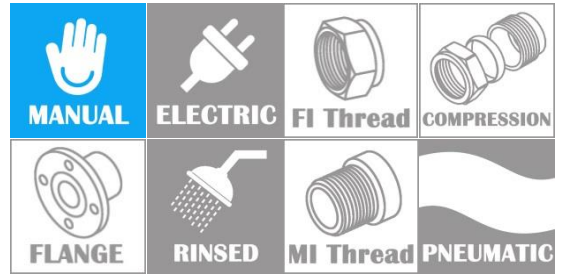
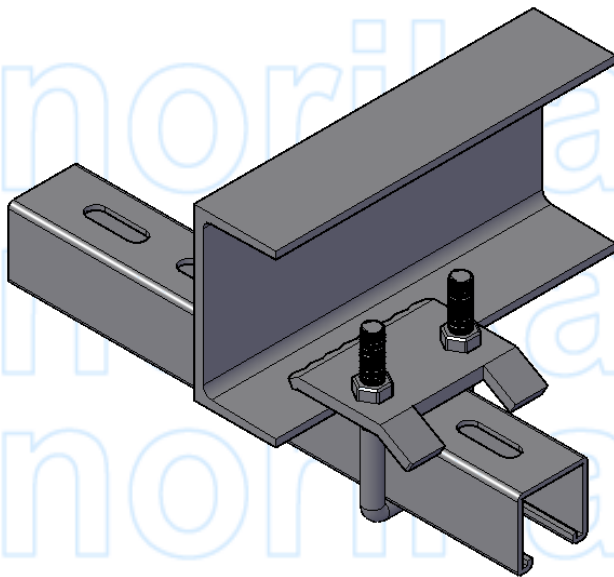


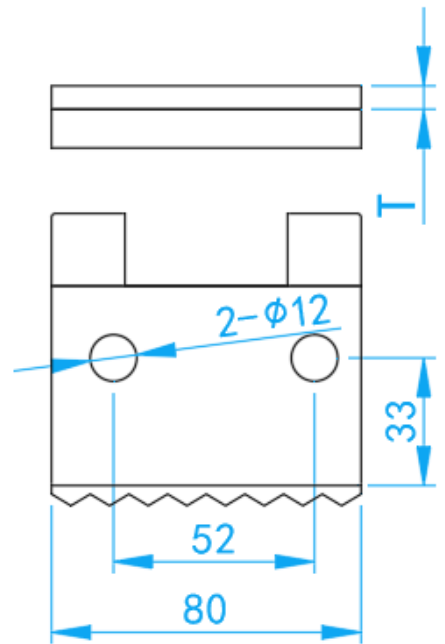
UNISTRUT BEAM CLAMP / SINGLE U-BOLT ASSEMBLY



U BOLT SIDE VIEW



INSTALLATION ASSEMBLY



PRESSPLATE TOP VIEW

COMPONENT PARTS	
MATERIAL	Mild Steel
COATING	Cold Galvanized

DIMENSIONS							
SKU	W (mm)	D (mm)	L (mm)	H (mm)	T (mm)	WEIGHT (kg)	PCS/CTN
OLUB	42	M10	50	89	6	0.200	50