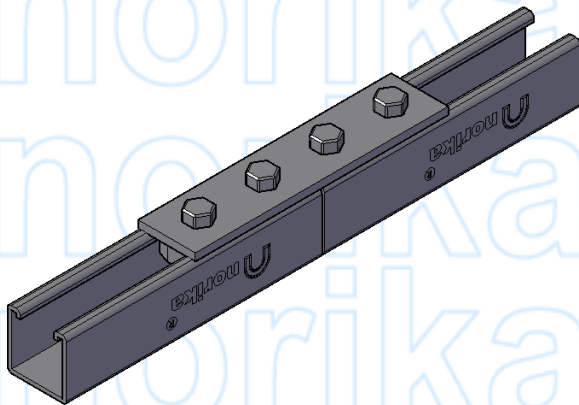
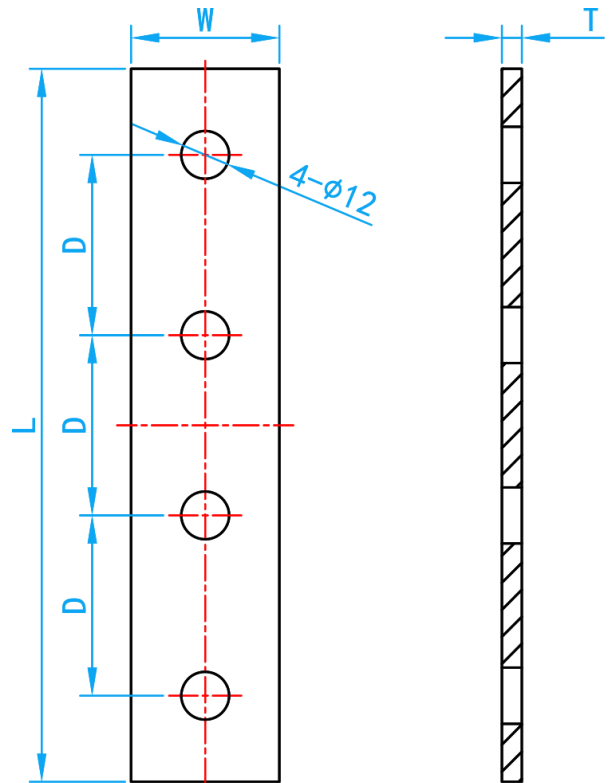
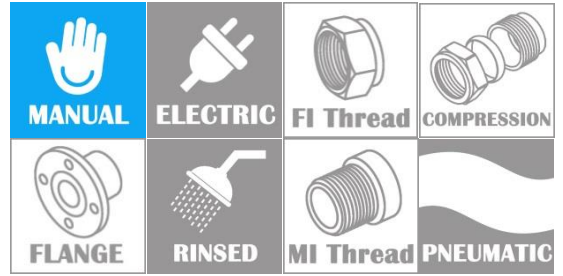


UNISTRUT 4 HOLE SLOTTED SPLICE PLATE



INSTALLATION ASSEMBLY

COMPONENT PARTS

MATERIAL	Mild Steel
COATING	Cold Galvanized

DIMENSIONS

SKU	L (mm)	W (mm)	T (mm)	D (mm)	WEIGHT (kg)	PCS/CTN
OLSB1067	178	37	4.7	45	0.225±10	60