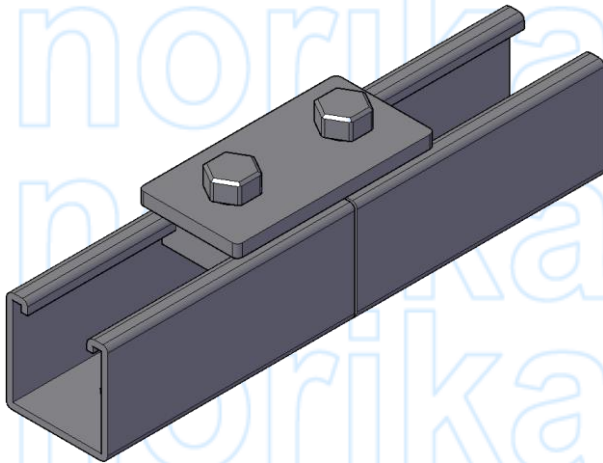
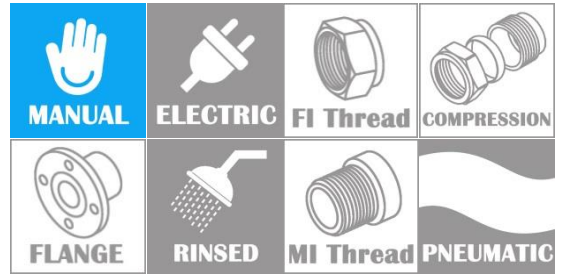
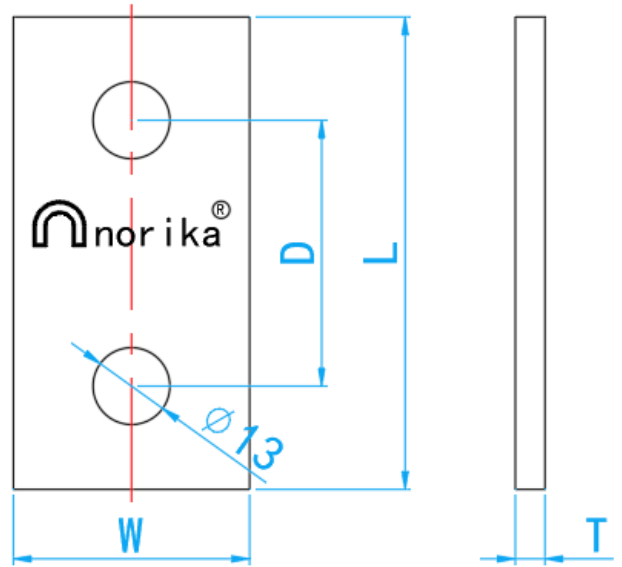


UNISTRUT 2 HOLE FLAT PLATE



INSTALLATION ASSEMBLY



TOP VIEW

COMPONENT PARTS

MATERIAL	Mild Steel
COATING	Cold Galvanized

DIMENSIONS

SKU	L (mm)	W (mm)	T (mm)	D (mm)	WEIGHT (kg)	PCS/CTN
OLSB1026	80	40	5	45	0.11	1000