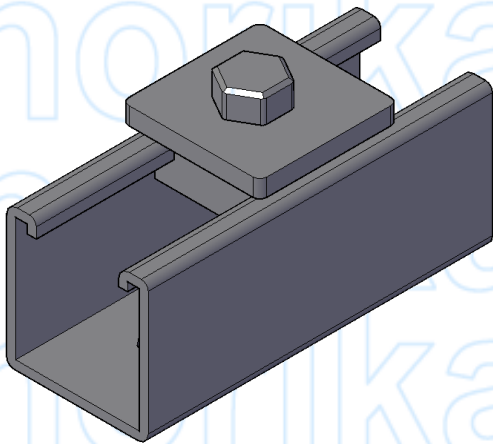
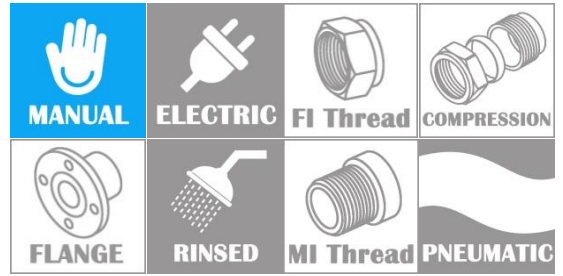
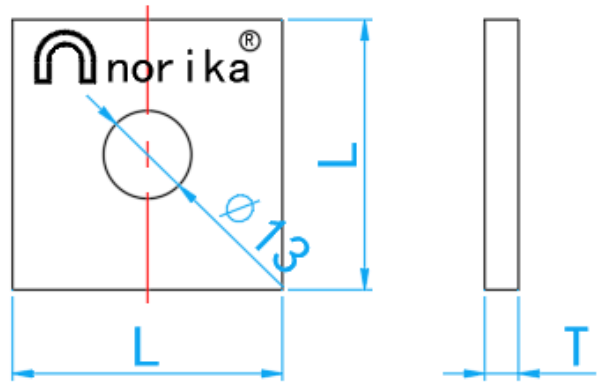


UNISTRUT HOLDING WASHER



INSTALLATION ASSEMBLY



TOP VIEW

COMPONENT PARTS

MATERIAL	Mild Steel
COATING	Cold Galvanized

DIMENSIONS

SKU	L (mm)	T (mm)	WEIGHT (kg)	PCS/CTN
OLW4040	40	5	0.055	200