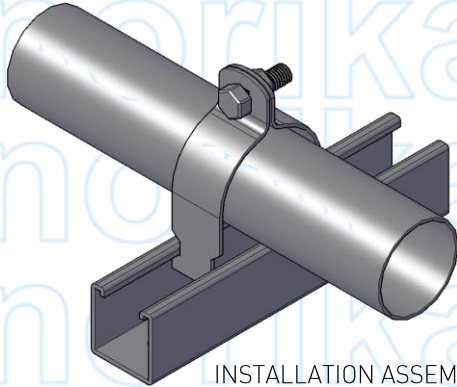
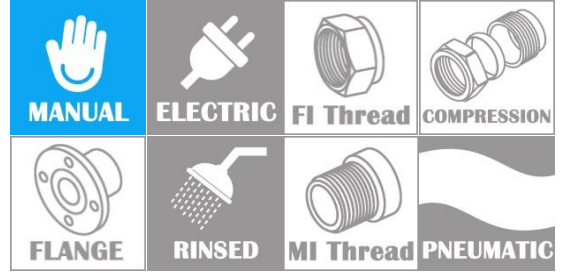
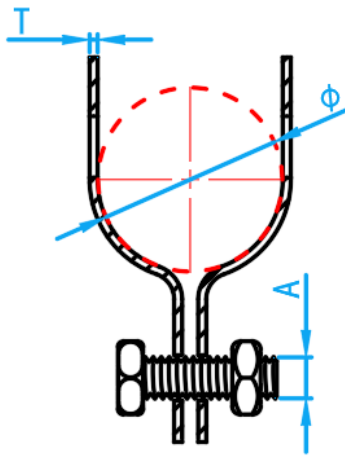


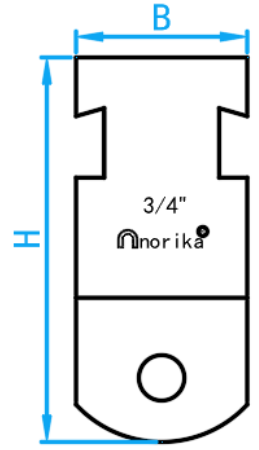
UNISTRUT CLAMP (TWO HALF PIECES WITH SCREW NUT)



INSTALLATION ASSEMBLY



CROSS SECTIONAL VIEW



SIDE VIEW

COMPONENT PARTS

| | |
|----------|-----------------|
| MATERIAL | Mild Steel |
| COATING | Cold Galvanized |

DIMENSIONS

| SKU | ∅ (mm) | A (mm) | B (mm) | H (mm) | T (mm) | WEIGHT (kg) | PCS/CTN |
|---------|--------|--------|--------|--------|--------|-------------|---------|
| OLSC015 | 21.0 | M6*25 | 32.0 | 64.0 | 1.1 | 0.035 | 600 |
| OLSC020 | 27.0 | | 32.0 | 72.0 | 1.1 | 0.040 | 500 |
| OLSC025 | 33.5 | | 32.0 | 72.0 | 1.1 | 0.044 | 500 |
| OLSC035 | 42.3 | | 32.0 | 82.0 | 1.5 | 0.067 | 400 |
| OLSC040 | 48.0 | | 32.0 | 95.0 | 1.5 | 0.071 | 300 |
| OLSC050 | 60.0 | M8*30 | 32.0 | 105.0 | 2.0 | 0.124 | 220 |
| OLSC065 | 75.5 | | 32.0 | 115.0 | 2.0 | 0.145 | 200 |
| OLSC080 | 88.5 | | 32.0 | 134.0 | 2.0 | 0.165 | 180 |
| OLSC100 | 114.0 | | 32.0 | 158.0 | 2.0 | 0.195 | 120 |
| OLSC150 | 165.0 | | 32.0 | 205.0 | 2.5 | 0.326 | 85 |
| OLSC200 | 219.0 | M8*40 | 32.0 | 265.0 | 2.5 | 0.408 | 60 |
| OLSC250 | 273.0 | | 32.0 | 325.0 | 2.5 | 0.500 | 40 |
| OLSC300 | 324.0 | | 32.0 | 380.0 | 2.5 | 0.575 | 40 |