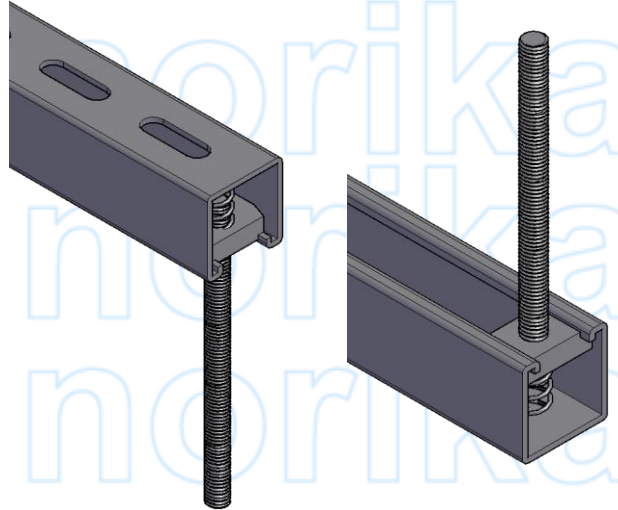
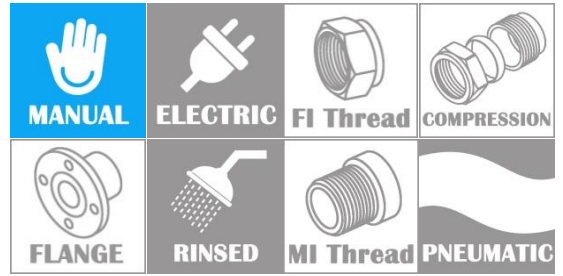
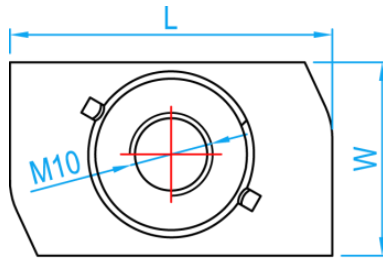


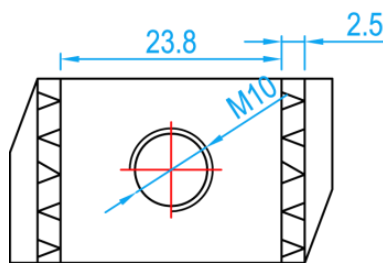
UNISTRUT LONG SPRING CHANNEL NUT



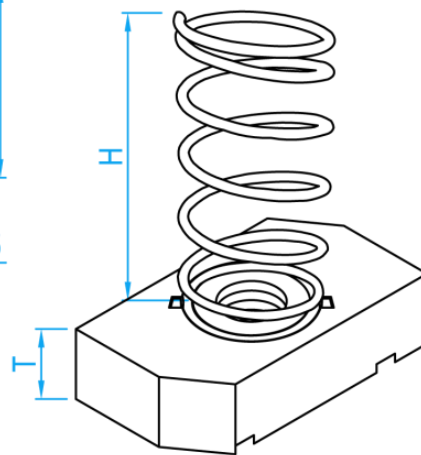
INSTALLATION ASSEMBLY



TOP VIEW



BOTOM VIEW



3-D VIEW

COMPONENT PARTS

| | |
|----------|-----------------|
| MATERIAL | Mild Steel |
| COATING | Cold Galvanized |

DIMENSIONS

| SKU | W (mm) | H (mm) | L (mm) | T (mm) | WEIGHT (kg) | PCS/CTN |
|---------|--------|--------|--------|--------|-------------|---------|
| OLSNM10 | 21 | 36 | 35 | 9.5 | 0.046 | 400 |