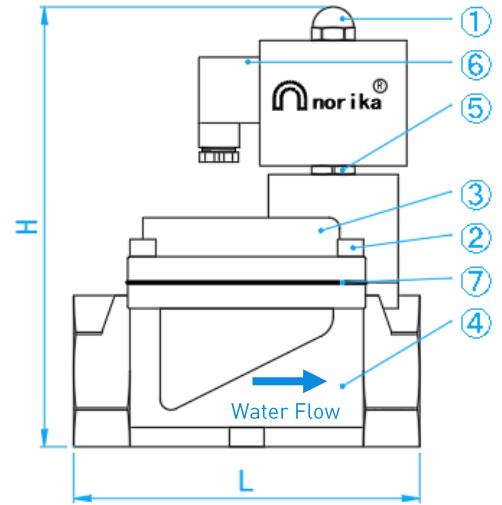
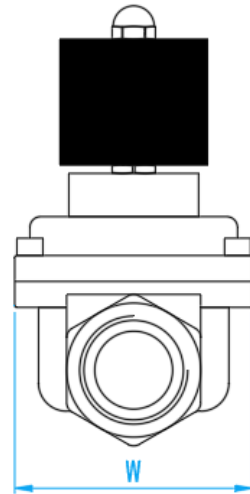


# 2/2 WAY STAINLESS STEEL 304 PILOT PISTON TYPE FLUID SOLENOID VALVE (NORMALLY OPEN IP65)

COMPLY WITH BS EN 12288:2010  
ASTM E 1086:2014  
BS EN 10088-2:2014  
AS/NZS 4020:2018  
SS 375:2015  
SS 270:2015



FRONT VIEW



SIDE VIEW

\* Note: Normally opened when powered off.

### STANDARD SPECIFICATIONS

Nominal Pressure	0.5-16 Bar
Voltage Rating	240V AC
Rated Power	22W
Medium	Fluids With Viscosity below 50CST
Operating Temperature	-5°C ~ 120°C
Waterproof Grade	IP65

### DIMENSIONS

SKU	DN (mm)	L (mm)	W (mm)	H (mm)	WEIGHT (kg)	PCS/CTN
SVSSN015NO IP65	15	69	48.5	128	0.950	25
SVSSN020NO IP65	20	79	55.5	140	1.133	25
SVSSN025NO IP65	25	96	70.0	149	1.600	20
SVSSN035NO IP65	32	109	70.0	159	1.800	10
SVSSN042NO IP65	40	128	95.0	174	2.900	10
SVSSN050NO IP65	50	150	100.0	190	3.95	6

### COMPONENT PARTS

ITEM	PARTS	MATERIAL
1.	Nut & Washer	AISI304
2.	Bolt	AISI304
3.	Valve Bonnet	AISI304
4.	Valve Body	AISI304
5.	Spring Plunger	AISI304
6.	DIN Box	BMC
7.	O-Ring	EPDM