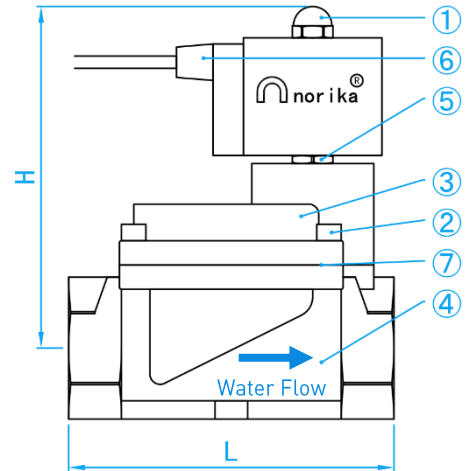
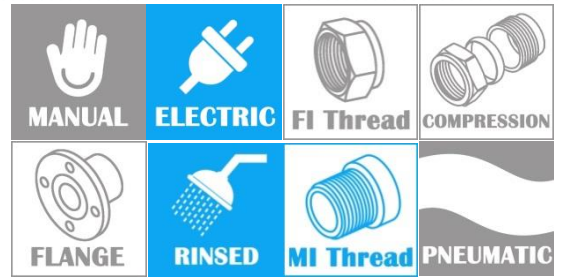
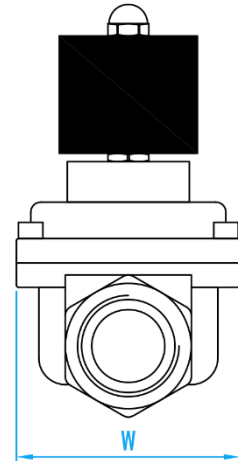


# 2/2 WAY STAINLESS STEEL 304 PILOT PISTON TYPE FLUID SOLENOID VALVE (NORMALLY CLOSED IP67)

COMPLY WITH BS EN 12288:2010  
ASTM E 1086:2014  
BS EN 10088-2:2014  
AS/NZS 4020:2018  
SS 375:2015  
SS 270:2015



FRONT VIEW



SIDE VIEW

\* Note: Normally closed when powered off.

## STANDARD SPECIFICATIONS

|                       |                                   |
|-----------------------|-----------------------------------|
| Nominal Pressure      | 0.5-16 Bar                        |
| Voltage Rating        | 240V AC, 24V AC, 24V DC           |
| Rated Power           | 22W                               |
| Medium                | Fluids With Viscosity below 50CST |
| Operating Temperature | -5°C ~ 120°C                      |
| Waterproof Grade      | IP67                              |

## DIMENSIONS

| SKU           | DIN (mm) | L (mm) | W (mm) | H (mm) | WEIGHT (kg) | PCS/CTN |
|---------------|----------|--------|--------|--------|-------------|---------|
| SVSSN015 IP67 | 15       | 69     | 48.5   | 110    | 0.950       | 25      |
| SVSSN020 IP67 | 20       | 79     | 55.5   | 118    | 1.133       | 25      |
| SVSSN025 IP67 | 25       | 96     | 70.0   | 124    | 1.600       | 20      |
| SVSSN035 IP67 | 35       | 109    | 70.0   | 128    | 1.800       | 10      |
| SVSSN042 IP67 | 42       | 128    | 95.0   | 139    | 2.900       | 10      |
| SVSSN050 IP67 | 50       | 150    | 100.0  | 148    | 4.000       | 6       |

## COMPONENT PARTS

| ITEM | PARTS          | MATERIAL |
|------|----------------|----------|
| 1.   | Nut & Washer   | AISI304  |
| 2.   | Bolt           | AISI304  |
| 3.   | Valve Bonnet   | AISI304  |
| 4.   | Valve Body     | AISI304  |
| 5.   | Spring Plunger | AISI304  |
| 6.   | DIN Box        | BMC      |
| 7.   | O-Ring         | EPDM     |