

NORIKA PEX F6 MULTILAYER PIPES AND FITTINGS



Scan for
installation video:





SINGAPORE GREEN BUILDING PRODUCT CERTIFICATE

AWARDED TO

Liang Chew Hardware Pte Ltd

133 Kitchener Road
Singapore 208517

FOR THE PRODUCT

Pipe & Fittings - Potable Water

PRODUCT BRAND

Norika

PRODUCT MODEL

Refer to Appendix

THE PRODUCT HAS BEEN ASSESSED ACCORDING
TO THE ASSESSMENT CRITERIA OF SINGAPORE
GREEN BUILDING PRODUCT CERTIFICATION SCHEME.
IT HAS BEEN AWARDED THE RATING:

Director
SGBC Pte Ltd



| Certificate Number | Original Issue Date | Revised Date | Valid Till |
|--------------------|---------------------|--------------|------------------|
| SGBP 4219 | 07 December 2023 | - | 06 December 2025 |

✓Good ✓✓Very Good ✓✓✓Excellent ✓✓✓✓Leader

The use and reliance on this certificate is subject to the terms and conditions of the Singapore Green Building Product Certification Scheme. Revised certificates may also be issued at the discretion of the Council. The certification status may be verified at the Singapore Green Building Council website (www.sgbc.sg).





SINGAPORE GREEN BUILDING PRODUCT CERTIFICATE

Appendix

Certificate Number: SGBP 4219

Models

[PIPES] - PIPPEX: [16mm, 20mm, 25mm, 32mm, 40mm, 50mm, 63mm and 75mm],[Fittings, Push-Fit] - (16mm, 20mm, 25mm and 32mm)(PEXF6EC || PEXF6E90 || PEXF6ET || PEXF6ES || PEXF6MIA || PEXF6FIA || PEXF6MIE || PEXF6FIE || PEXF6FE || PEXF6MIT || PEXF6FIT || PEXF6RT) // (20mm, 25mm and 32mm) (PEXF6RS || PEXF6RE90) // (16mm, 20mm, and 25mm) (PEXF6BV) // (16mm and 20mm) (PEXF6FE) ,[Fittings] - (16mm, 20mm, 25mm, 32mm, 40mm, 50mm, 63mm and 75mm) (PEXF5ES || PEXF5RS || PEXF5E90 || PEXF5RE90 || PEXF5EC16 || PEXF5ET16 || PEXF5RT || PEXF5MIT || PEXF5FIT || PEXF5MIA || PEXF5FIA) // (16mm, 20mm, 25mm, 32mm, 40mm, 50mm & 63mm) (PEXF5MIE || PEXF5FIE) // (16mm, 20mm, 25mm, 32mm, 40mm and 50mm) (PEXF5FJC) // (16mm, 20mm and 25mm) (PEXF5FE || PEXF5BV) // (16mm and 20mm) (PEXF5FES)





TEST CERTIFICATE

POTABLE WATER FITTINGS SCHEME

Certificate Number : TC-J0244
Issue No: 04

This Certificate is awarded to the following product(s) which has / have complied with the requirements of the listed standard(s) in accordance with Stipulation of Standards and Requirements for Water Fittings for Use in Potable Water Service Installations.

Client : **Liang Chew Hardware Pte Ltd**
 133 Kitchener Road
 Singapore 208517

Product : Multilayer Pipes & Fittings (Push-fit)

Brand / Model : Norika / PIPPEX & PEXF6

Detail : Sizes (mm): 16, 20, 25 & 32

Test Standard(s) : BS EN ISO 21003-1: 2008, BS EN ISO 21003-2: 2008 + A1: 2011, BS EN ISO 21003-3: 2008, BS EN ISO 21003-5: 2008, AS/NZS 4020: 2005, AS/NZS 4020: 2018, SS 375: 2015, BS EN 12165: 2016

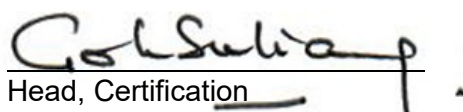
Test Report(s) : 2524187-OYC, 2120978/01-OYC, 2120978/02-OYC, 1820215/01-OYC, 2020852-CPC, 1820215/04-CPC, 2020843/01-CPC, 2020889-CPC, 21802731-CLC

A sample of the product submitted was tested and found to comply with the test requirements of the above standard(s).

Date of Original Issue : 10 March 2021

Date of Last Revision : 04 March 2025

Date of Expiry : 09 March 2027


 Head, Certification
 Singapore Test Lab Pte Ltd

This Certificate is part of a full report and should be read in conjunction with it. This Certificate remains the property of Singapore Test Lab Pte Ltd and shall be returned upon request. The use of this Certificate is subjected to the Terms and Conditions of Singapore Test Lab Pte Ltd. The manufacturer is solely responsible for the compliance of any product that has the same designation as the product type tested.

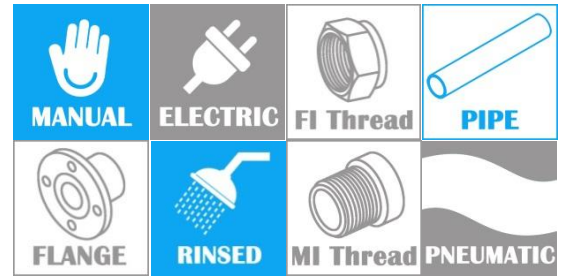


Singapore Test Lab Pte Ltd certifies according to ISO / IEC 17065

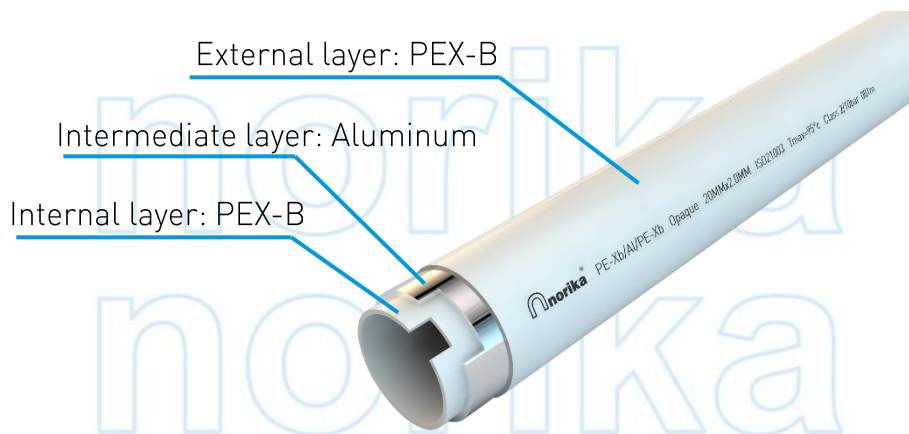


PEX-B/AL/PEX-B THREE LAYER PIPE

COMPLY WITH BS EN ISO 21003-1:2008
 BSEN ISO 21003-2:2008+A1:2011
 AS/NZS 4020:2005
 SS 375:2015



MULTILAYER PIPES

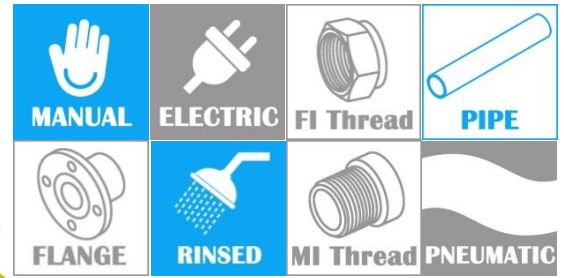


| COMPONENTS | |
|--------------------------------------|--|
| Material Name | Advantages |
| PEX-B (Cross-linked Polyethylene) | Light weight, corrosion resistance, easy installation, and low cost. |
| Aluminum | Enhances pipe compressive and impact resistance, ensuring stability and effective oxygen isolation. Easy to cut, bendable, and non-rebounding. |

| STANDARD SPECIFICATION | |
|--|---|
| Working Pressure | 10 Bar |
| Working Temperature | 0 ~ 70°C |
| Applications | Hot and cold potable water system. |
| **Attention During Installation | Exclusively indoor installation only. (While it offers some UV resistance, adding a protective cover is advisable for enhanced protection.) |

PEX-B/AL/PEX-B THREE LAYER PIPE

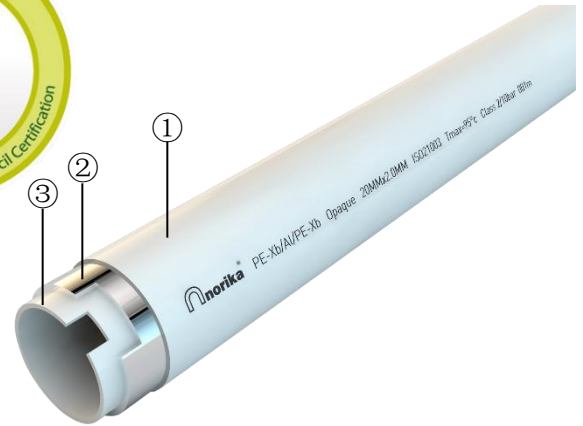
COMPLY WITH BS EN ISO 21003-1:2008
 BSEN ISO 21003-2:2008+A1:2011
 AS/NZS 4020:2005
 SS 375:2015



STRAIGHT TUBE
 SKU: PIPPEXL016~075



COILING TUBE
 SKU: PIPPEX016~032



****Exclusively indoor installation only.**

| STANDARD SPECIFICATION | | COMPONENT PARTS | | |
|------------------------|------------------------------------|-----------------|---------------|----------|
| Working Pressure | 10 Bar | ITEM | PARTS | MATERIAL |
| Working Temperature | 0 ~ 70°C | 1 | Outside layer | PEX-B |
| Applications | Hot and cold potable water system. | 2 | Middle layer | Aluminum |
| | | 3 | Inside layer | PEX-B |

DIMENSIONS

| SKU | Outside Diameter (mm) | Inside Diameter (mm) | Thickness (mm) | Tolerance Of Pipe Thickness (mm) | Length (mm) | WEIGHT (kg/m) |
|------------|-----------------------|----------------------|----------------|----------------------------------|-------------|---------------|
| PIPPEXL016 | 16 | 12 | 2.0 | 2.00~2.25 | 5800 | 0.121 |
| PIPPEXL020 | 20 | 16 | 2.0 | 2.00~2.30 | 5800 | 0.166 |
| PIPPEXL025 | 25 | 20 | 2.5 | 2.40~2.70 | 5800 | 0.235 |
| PIPPEXL032 | 32 | 26 | 3.0 | 2.90~3.25 | 5800 | 1.040 |
| PIPPEXL040 | 40 | 32 | 4.0 | 4.00~4.60 | 5800 | 0.567 |
| PIPPEXL050 | 50 | 41 | 4.5 | 4.50~5.20 | 5800 | 0.820 |
| PIPPEXL063 | 63 | 51 | 6.0 | 6.00~6.80 | 5800 | 1.334 |
| PIPPEXL075 | 75 | 60 | 7.5 | 7.50~8.50 | 5800 | 1.893 |

DIMENSIONS

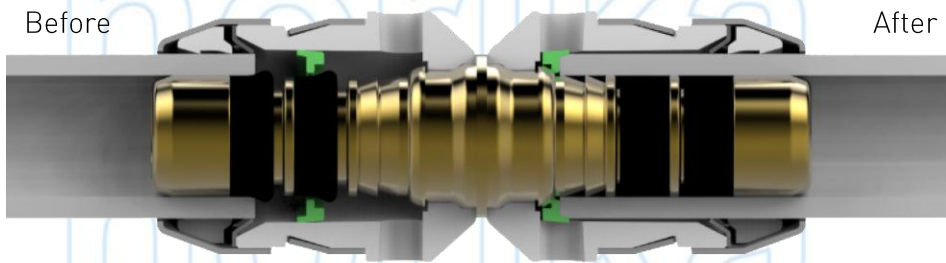
| SKU | Outside Diameter (mm) | Inside Diameter (mm) | Thickness (mm) | Tolerance Of Pipe Thickness (mm) | WEIGHT (kg/m) | M/CTN |
|-----------|-----------------------|----------------------|----------------|----------------------------------|---------------|-------|
| PIPPEX016 | 16 | 12 | 2.0 | 2.00~2.25 | 0.121 | 200M |
| PIPPEX020 | 20 | 16 | 2.0 | 2.00~2.30 | 0.166 | 200M |
| PIPPEX025 | 25 | 20 | 2.5 | 2.40~2.70 | 0.235 | 100M |
| PIPPEX032 | 32 | 26 | 3.0 | 2.90~3.25 | 1.040 | 50M |

PEX MULTI LAYER PIPES AND FITTINGS

COMPLY WITH BS EN ISO 21003-1:2008
 BS EN ISO 21003-3:2008
 BS EN ISO 21003-5:2008
 BS EN 12165:2016
 AS/NZS 4020:2005
 SS 375:2015



F6 PUSH-FIT



COMPONENTS:

Body

Made of Brass CW602N boosts corrosion resistance, eliminates processing stress, and stable.



Collet

PPSU, is stable, heat-resistant, and environment friendly. Inspection holes verify full tube insertion.



Collet Retainer

304 stainless steel corrosion resistant. Secures the fittings to prevent detachment.



Grab Ring

316 stainless steel, corrosion resistant. Inverted tooth securely holds the pipe in place.



Spacer

POM material provides high strength and impact resistance. Shrinks to grip preventing detachment.



Indicator Ring

HDPE, superior chemical and thermal stability. Easy visual inspection for proper depth and connection.



Seal Ring

High-quality EPDM resists weather and corrosion. Double seal prevents leakage.



Protection Cap

Safe and eco-friendly PP material, effectively blocking impurities and protecting the fitting.



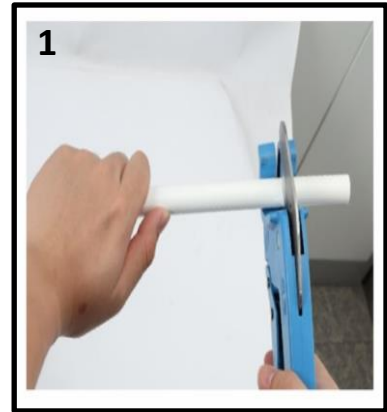
STANDARD SPECIFICATION

| | |
|---------------------|--|
| Working Pressure | 10 Bar |
| Working Temperature | 0 ~ 70°C |
| Applications | Hot and cold potable water system, Underfloor heating system |

INSTALLATION GUIDE:

1. Pipe cutting

Cut the pipe vertically and precisely with a sharp pipe cutter.



2. Rounding and beveling

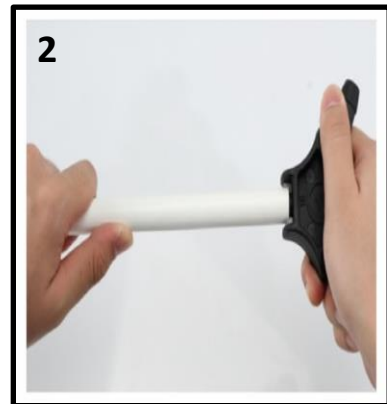
- **Multilayer pipe:**

Round and bevel the end holes with reamer.

- **Pex pipe:**

Round the end holes with reamer, no need to bevel.

If you want to insert quickly and easily, you can bevel the pipe.



3. Removing

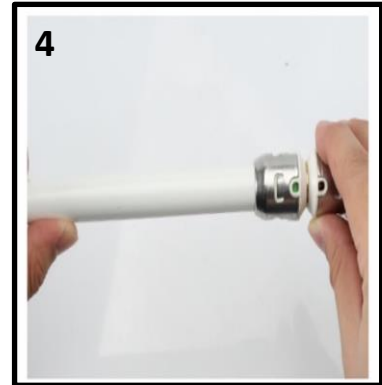
Removing the protective cap from the fitting. Make sure that both the fitting and pipe are clean and free of dirt and debris before making a connection.



INSTALLATION GUIDE:

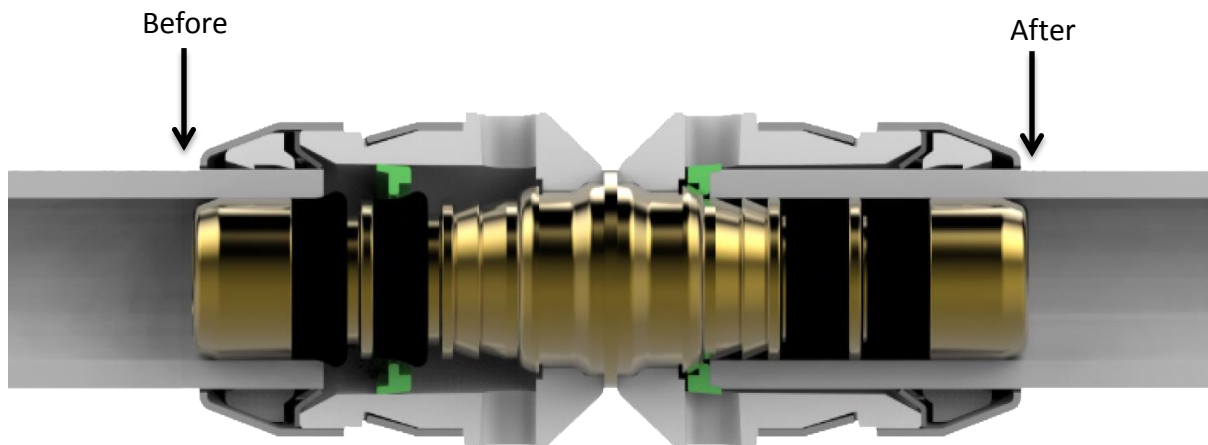
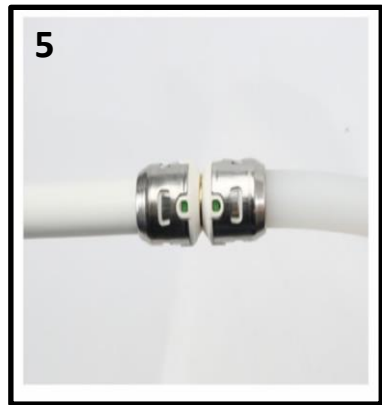
4. Inserting

Choose the right size push-fitting for the pipe, push the pipe into the fitting firmly. Note that the pipe should be inserted in parallel until the green indicator ring is seen. Doesn't require any tools for inserting.



5. Checking

Checking the installed fitting, it is indicating that the fitting is properly installed if the green indicator ring can be seen through the inspection holes. The pipeline can only be installed after hydrostatic test.



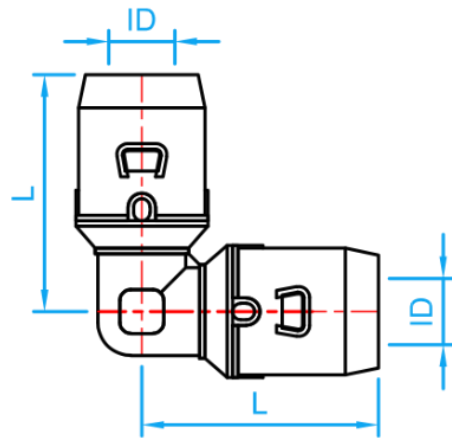
PEX MULTI LAYER PIPES AND FITTINGS



COMPLY WITH BS EN ISO 21003-1:2008
 BS EN ISO 21003-3:2008
 BS EN ISO 21003-5:2008
 BS EN 12165:2016
 AS/NZS 4020:2005
 SS 375:2015



F6 PUSH-FIT PEX EQUAL ELBOW



SIDE VIEW

DIMENSIONS

| SKU | SIZE (mm) | ID (mm) | L (mm) | WEIGHT (kg) | PCS/CTN |
|-------------|-----------|---------|--------|-------------|---------|
| PEXF6E90016 | 16 | 11.80 | 43 | 0.079 | 96 |
| PEXF6E90020 | 20 | 15.80 | 47 | 0.120 | 112 |
| PEXF6E90025 | 25 | 19.75 | 53 | 0.150 | 80 |
| PEXF6E90032 | 32 | 25.75 | 63 | 0.312 | 42 |

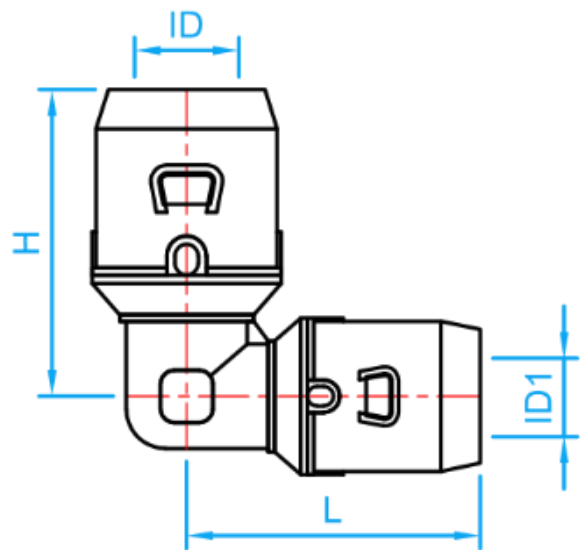
PEX MULTI LAYER PIPES AND FITTINGS



COMPLY WITH BS EN ISO 21003-1:2008
 BS EN ISO 21003-3:2008
 BS EN ISO 21003-5:2008
 BS EN 12165:2016
 AS/NZS 4020:2005
 SS 375:2015



F6 PUSH-FIT PEX REDUCING ELBOW



SIDE VIEW

DIMENSIONS

| SKU | SIZE (mm) | ID (mm) | ID1 (mm) | L (mm) | H (mm) | WEIGHT (kg) | PCS/CTN |
|------------------|-----------|---------|----------|--------|--------|-------------|---------|
| PEXF6RE9002016 | 20X16 | 15.80 | 11.80 | 45 | 47 | 0.126 | 128 |
| PEXF6RE9002516 | 25X16 | 19.75 | 11.80 | 47 | 53 | 0.111 | 100 |
| PEXF6RE9002520 | 25X20 | 19.75 | 15.80 | 49 | 53 | 0.155 | 84 |
| PEXF6RE9003216 | 32X16 | 25.75 | 11.80 | 50 | 60 | 0.199 | 72 |
| PEXF6RE9003220 * | 32X20 | 25.75 | 15.80 | 53 | 60 | - | - |
| PEXF6RE9003225 * | 32X25 | 25.75 | 19.75 | 59 | 60 | - | - |

*This item requires special ordering. Please consult with a salesperson for the estimated lead time.

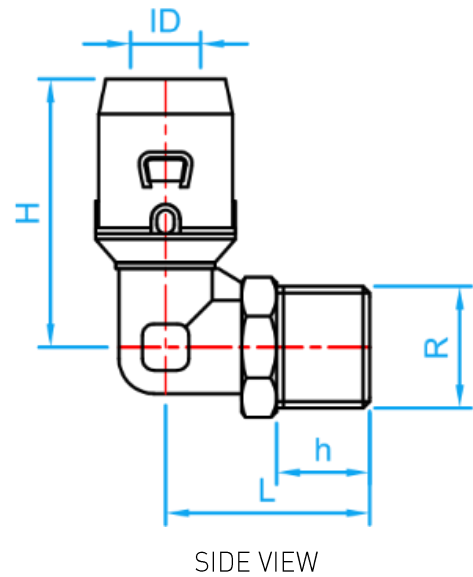
PEX MULTI LAYER PIPES AND FITTINGS



COMPLY WITH BS EN ISO 21003-1:2008
 BS EN ISO 21003-3:2008
 BS EN ISO 21003-5:2008
 AS/NZS 4020:2005
 SS 375:2015



F6 PUSH-FIT PEX MI ELBOW



DIMENSIONS

| SKU | SIZE (mmxinch) | ID (mm) | R BSPT (inch) | h (mm) | L (mm) | H (mm) | WEIGHT (kg) | PCS/CTN |
|-----------------|----------------|---------|---------------|--------|--------|--------|-------------|---------|
| PEXF6MIE01616 | 16X1/2" | 11.80 | 1/2" | 14.0 | 35 | 46.0 | 0.074 | 144 |
| PEXF6MIE01620 | 16X3/4" | 11.80 | 3/4" | 15.0 | 36 | 48.5 | 0.093 | 96 |
| PEXF6MIE02016 | 20X1/2" | 15.80 | 1/2" | 14.0 | 37 | 47.0 | 0.093 | 80 |
| PEXF6MIE02020 | 20X3/4" | 15.80 | 3/4" | 15.0 | 38 | 50.0 | 0.112 | 80 |
| PEXF6MIE02520 | 25X3/4" | 19.75 | 3/4" | 15.0 | 42 | 56.0 | 0.153 | 96 |
| PEXF6MIE02525 | 25X1" | 19.75 | 1" | 16.0 | 43 | 60.0 | 0.196 | 80 |
| PEXF6MIE03220 * | 32X3/4" | 25.75 | 3/4" | 15.0 | 45 | 62.0 | - | - |
| PEXF6MIE03225 | 32X1" | 25.75 | 1" | 16.0 | 46 | 65.0 | 0.252 | 48 |
| PEXF6MIE03232 | 32X1 1/4" | 25.75 | 1 1/4" | 19.5 | 45 | 68.5 | 0.290 | 40 |

*This item requires special ordering. Please consult with a salesperson for the estimated lead time.

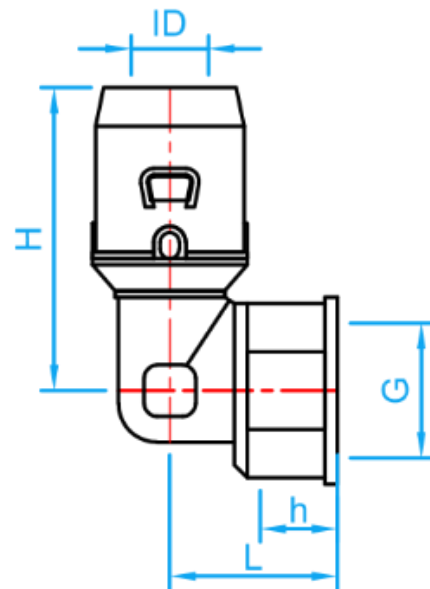
PEX MULTI LAYER PIPES AND FITTINGS



COMPLY WITH BS EN ISO 21003-1:2008
 BS EN ISO 21003-3:2008
 BS EN ISO 21003-5:2008
 BS EN 12165:2016
 AS/NZS 4020:2005
 SS 375:2015



F6 PUSH-FIT PEX FI ELBOW



SIDE VIEW

DIMENSIONS

| SKU | SIZE (mmxinch) | ID (mm) | G BSP (inch) | h (mm) | L (mm) | H (mm) | WEIGHT (kg) | PCS/CTN |
|-----------------|----------------|---------|--------------|--------|--------|--------|-------------|---------|
| PEXF6FIE01616 | 16X1/2" | 11.80 | 1/2" | 15 | 26 | 47 | 0.082 | 96 |
| PEXF6FIE01620 | 16X3/4" | 11.80 | 3/4" | 16 | 27 | 50 | 0.099 | 112 |
| PEXF6FIE02016 | 20X1/2" | 15.80 | 1/2" | 15 | 27 | 49 | 0.102 | 80 |
| PEXF6FIE02020 | 20X3/4" | 15.80 | 3/4" | 16 | 28 | 51 | 0.112 | 80 |
| PEXF6FIE02520 | 25X3/4" | 19.75 | 3/4" | 16 | 30 | 56 | 0.160 | 72 |
| PEXF6FIE02525 | 25X1" | 19.75 | 1" | 18 | 32 | 60 | 0.195 | 72 |
| PEXF6FIE03220 * | 32X3/4" | 25.75 | 3/4" | 16 | 33 | 62 | - | - |
| PEXF6FIE03225 | 32X1" | 25.75 | 1" | 18 | 34 | 66 | 0.251 | 48 |
| PEXF6FIE03232 | 32X1 1/4" | 25.75 | 1 1/4" | 19 | 34 | 71 | 0.279 | 40 |

*This item requires special ordering. Please consult with a salesperson for the estimated lead time.

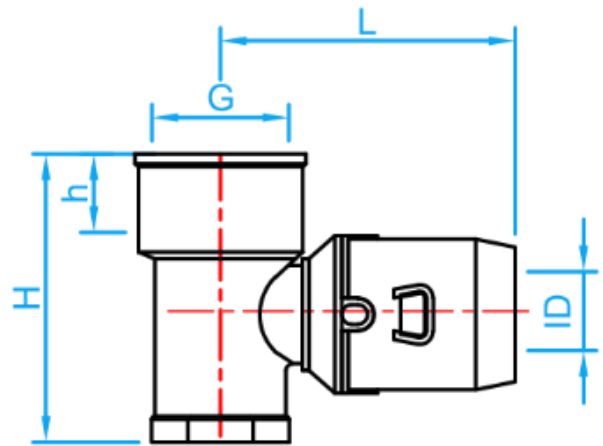
PEX MULTI LAYER PIPES AND FITTINGS



COMPLY WITH BS EN ISO 21003-1:2008
 BS EN ISO 21003-3:2008
 BS EN ISO 21003-5:2008
 AS/NZS 4020:2005
 SS 375:2015



F6 PUSH-FIT PEX FI WALLPLATE ELBOW



SIDE VIEW

DIMENSIONS

| SKU | SIZE (mmxinch) | ID (mm) | h (mm) | L (mm) | H (mm) | WEIGHT (kg) | PCS/CTN |
|--------------|----------------|---------|--------|--------|--------|-------------|---------|
| PEXF6FE016 | 16X1/2" | 11.80 | 15 | 47 | 43 | 0.082 | 144 |
| PEXF6FE02016 | 20X1/2" | 15.80 | 15 | 48 | 43 | 0.127 | 120 |

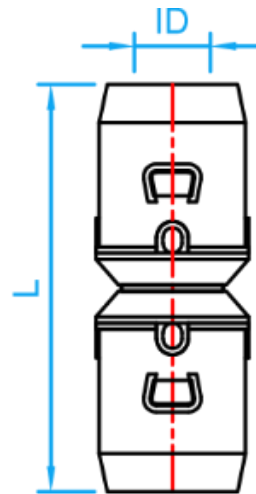
PEX MULTI LAYER PIPES AND FITTINGS



COMPLY WITH BS EN ISO 21003-1:2008
 BS EN ISO 21003-3:2008
 BS EN ISO 21003-5:2008
 BS EN 12165:2016
 AS/NZS 4020:2005
 SS 375:2015



F6 PUSH-FIT PEX EQUAL SOCKET



DIMENSIONS

| SKU | SIZE (mm) | ID (mm) | L (mm) | WEIGHT (kg) | PCS/CTN |
|------------|-----------|---------|--------|-------------|---------|
| PEXF6ES016 | 16 | 11.80 | 64.0 | 0.066 | 144 |
| PEXF6ES020 | 20 | 15.80 | 67.0 | 0.096 | 120 |
| PEXF6ES025 | 25 | 19.75 | 77.5 | 0.150 | 96 |
| PEXF6ES032 | 32 | 25.75 | 88.5 | 0.249 | 48 |

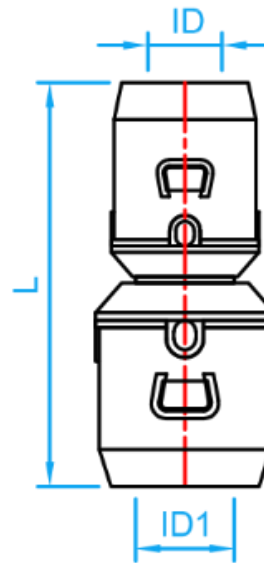
PEX MULTI LAYER PIPES AND FITTINGS



COMPLY WITH BS EN ISO 21003-1:2008
 BS EN ISO 21003-3:2008
 BS EN ISO 21003-5:2008
 BS EN 12165:2016
 AS/NZS 4020:2005
 SS 375:2015



F6 PUSH-FIT PEX REDUCING SOCKET



SIDE VIEW

DIMENSIONS

| SKU | SIZE (mm) | ID (mm) | ID1 (mm) | L (mm) | WEIGHT (kg) | PCS/CTN |
|--------------|-----------|---------|----------|--------|-------------|---------|
| PEXF6RS02016 | 20X16 | 11.80 | 15.80 | 65.5 | 0.082 | 160 |
| PEXF6RS02516 | 25X16 | 11.80 | 19.75 | 71.0 | 0.111 | 120 |
| PEXF6RS02520 | 25X20 | 15.80 | 19.75 | 72.5 | 0.124 | 120 |
| PEXF6RS03216 | 32X16 | 11.80 | 25.75 | 76.5 | 0.168 | 72 |
| PEXF6RS03220 | 32X20 | 15.80 | 25.75 | 78.0 | 0.182 | 80 |
| PEXF6RS03225 | 32X25 | 19.75 | 25.75 | 83.0 | 0.204 | 60 |

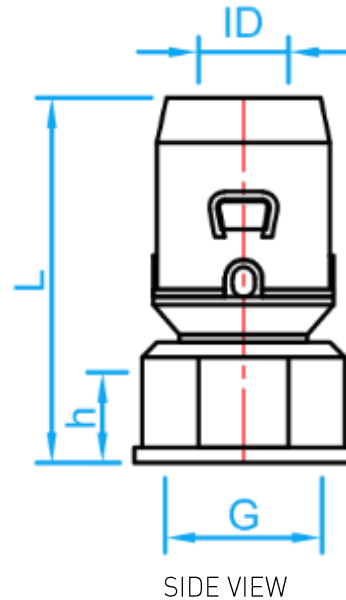
PEX MULTI LAYER PIPES AND FITTINGS



COMPLY WITH BS EN ISO 21003-1:2008
 BS EN ISO 21003-3:2008
 BS EN ISO 21003-5:2008
 BS EN 12165:2016
 AS/NZS 4020:2005
 SS 375:2015



F6 PUSH-FIT PEX FEMALE ADAPTOR



DIMENSIONS

| SKU | SIZE (mmxinch) | ID (mm) | G BSP (inch) | h (mm) | L (mm) | WEIGHT (kg) | PCS/CTN |
|---------------|-------------------|------------|--------------------|-----------|-----------|----------------|---------|
| PEXF6FIA01616 | 16×1/2" | 11.80 | 1/2" | 15 | 48.5 | 0.068 | 144 |
| PEXF6FIA01620 | 16×3/4" | 11.80 | 3/4" | 16 | 49.5 | 0.085 | 96 |
| PEXF6FIA02016 | 20×1/2" | 15.80 | 1/2" | 15 | 50.0 | 0.081 | 96 |
| PEXF6FIA02020 | 20×3/4" | 15.80 | 3/4" | 16 | 51.0 | 0.097 | 96 |
| PEXF6FIA02516 | 25×1/2" | 19.75 | 1/2" | 15 | 55.0 | 0.103 | 80 |
| PEXF6FIA02520 | 25×3/4" | 19.75 | 3/4" | 16 | 56.0 | 0.119 | 80 |
| PEXF6FIA02525 | 25×1" | 19.75 | 1" | 18 | 57.5 | 0.156 | 64 |
| PEXF6FIA03220 | 32×3/4" | 25.75 | 3/4" | 16 | 66.0 | 0.174 | 80 |
| PEXF6FIA03225 | 32×1" | 25.75 | 1" | 18 | 63.0 | 0.199 | 80 |
| PEXF6FIA03232 | 32×1 1/4" | 25.75 | 1 1/4" | 19 | 65.5 | 0.234 | 64 |

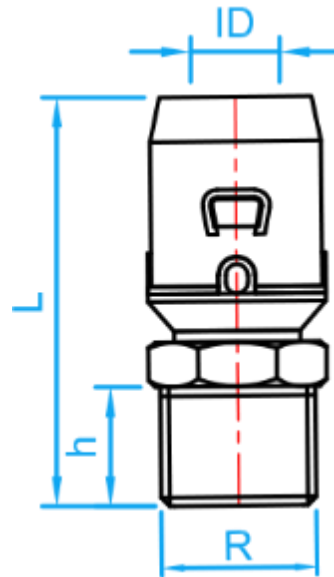
PEX MULTI LAYER PIPES AND FITTINGS



COMPLY WITH BS EN ISO 21003-1:2008
 BS EN ISO 21003-3:2008
 BS EN ISO 21003-5:2008
 BS EN 12165:2016
 AS/NZS 4020:2005
 SS 375:2015



F6 PUSH-FIT PEX MALE ADAPTOR



SIDE VIEW

DIMENSIONS

| SKU | SIZE (mmxinch) | ID (mm) | R BSPT (inch) | h (mm) | L (mm) | WEIGHT (kg) | PCS/CTN |
|---------------|----------------|---------|---------------|--------|--------|-------------|---------|
| PEXF6MIA01616 | 16X1/2" | 11.80 | 1/2" | 14 | 55.0 | 0.069 | 144 |
| PEXF6MIA01620 | 16X3/4" | 11.80 | 3/4" | 15 | 52.0 | 0.077 | 144 |
| PEXF6MIA02016 | 20X1/2" | 15.80 | 1/2" | 14 | 57.0 | 0.086 | 144 |
| PEXF6MIA02020 | 20X3/4" | 15.80 | 3/4" | 15 | 58.0 | 0.095 | 120 |
| PEXF6MIA02516 | 25X1/2" | 19.75 | 1/2" | 14 | 66.0 | 0.130 | 80 |
| PEXF6MIA02520 | 25X3/4" | 19.75 | 3/4" | 15 | 67.0 | 0.140 | 64 |
| PEXF6MIA02525 | 25X1" | 19.75 | 1" | 16 | 60.0 | 0.141 | 64 |
| PEXF6MIA03216 | 32X1/2" | 25.75 | 1/2" | 14 | 71.5 | 0.173 | 80 |
| PEXF6MIA03220 | 32X3/4" | 25.75 | 3/4" | 15 | 72.5 | 0.180 | 80 |
| PEXF6MIA03225 | 32X1" | 25.75 | 1" | 16 | 73.5 | 0.204 | 80 |
| PEXF6MIA03232 | 32X1 1/4" | 25.75 | 1 1/4" | 19 | 70.0 | 0.240 | 72 |

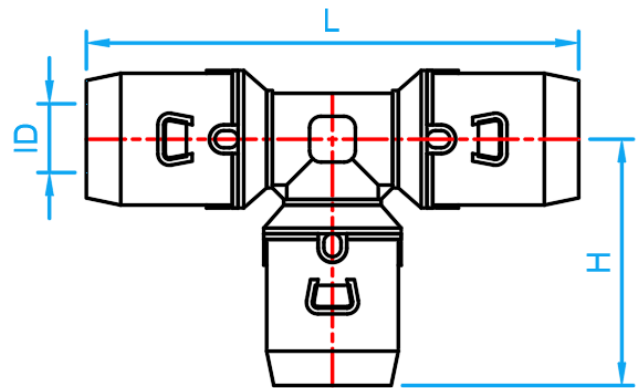
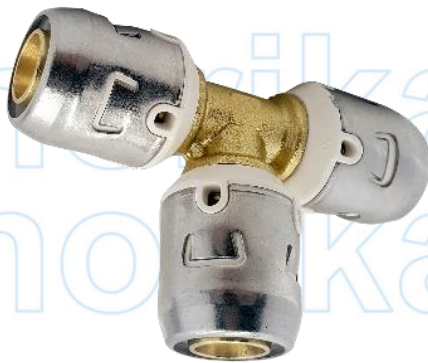
PEX MULTI LAYER PIPES AND FITTINGS



COMPLY WITH BS EN ISO 21003-1:2008
 BS EN ISO 21003-3:2008
 BS EN ISO 21003-5:2008
 BS EN 12165:2016
 AS/NZS 4020:2005
 SS 375:2015



F6 PUSH-FIT PEX EQUAL TEE



SIDE VIEW

DIMENSIONS

| SKU | SIZE (mm) | ID (mm) | L (mm) | H (mm) | WEIGHT (kg) | PCS/CTN |
|------------|-----------|---------|--------|--------|-------------|---------|
| PEXF6ET016 | 16 | 11.80 | 86 | 43 | 0.117 | 96 |
| PEXF6ET020 | 20 | 15.80 | 93 | 47 | 0.174 | 72 |
| PEXF6ET025 | 25 | 19.75 | 106 | 53 | 0.270 | 48 |
| PEXF6ET032 | 32 | 25.75 | 125 | 63 | 0.451 | 24 |

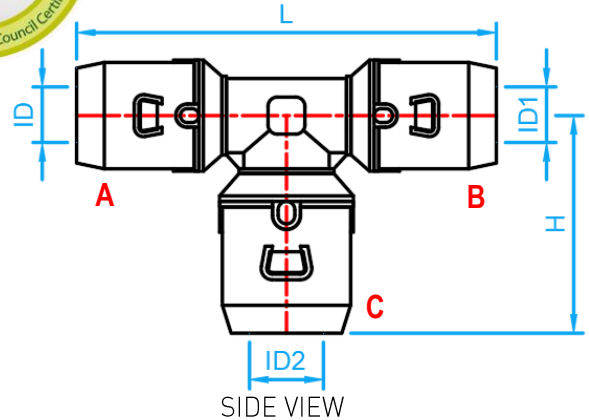
PEX MULTI LAYER PIPES AND FITTINGS



COMPLY WITH BS EN ISO 21003-1:2008
 BS EN ISO 21003-3:2008
 BS EN ISO 21003-5:2008
 BS EN 12165:2016
 AS/NZS 4020:2005
 SS 375:2015



F6 PUSH-FIT PEX REDUCING TEE



DIMENSIONS

| SKU (A*B*C) | SIZE (A*C*B) | ID (mm) | ID1 (mm) | ID2 (mm) | L (mm) | H (mm) | WEIGHT (kg) | PCS/CTN |
|------------------|-----------------|------------|-------------|-------------|-----------|-----------|----------------|---------|
| PEXF6RT0161620 * | 16X20X16 | 11.80 | 11.80 | 15.80 | 91 | 47.0 | - | - |
| PEXF6RT0161625 | 16X25X16 | 11.80 | 11.80 | 19.75 | 96 | 53.0 | 0.173 | 60 |
| PEXF6RT0201616 | 20X16X16 | 15.80 | 11.80 | 11.80 | 88 | 45.0 | 0.138 | 72 |
| PEXF6RT0201620 | 20X20X16 | 15.80 | 11.80 | 15.80 | 92 | 47.0 | 0.157 | 72 |
| PEXF6RT0202016 | 20X16X20 | 15.80 | 15.80 | 11.80 | 93 | 47.0 | 0.156 | 72 |
| PEXF6RT0201625 * | 20X25X16 | 15.80 | 11.80 | 19.75 | 98 | 53.0 | - | - |
| PEXF6RT0202025 * | 20X25X20 | 15.80 | 15.80 | 19.75 | 99 | 53.0 | - | - |
| PEXF6RT0202032 * | 20X32X20 | 15.80 | 15.80 | 25.75 | 106 | 60.0 | - | - |
| PEXF6RT0251616 * | 25X16X16 | 19.75 | 11.80 | 11.80 | 93 | 47.0 | - | - |
| PEXF6RT0252016 * | 25X16X20 | 19.75 | 15.80 | 11.80 | 95 | 47.0 | - | - |
| PEXF6RT0252516 | 25X16X25 | 19.75 | 19.75 | 11.80 | 100 | 47.0 | 0.215 | 60 |
| PEXF6RT0251620 * | 25X20X16 | 19.75 | 11.80 | 15.80 | 97 | 49.0 | - | - |
| PEXF6RT0252020 | 25X20X20 | 19.75 | 15.80 | 15.80 | 98 | 49.0 | 0.208 | 60 |
| PEXF6RT0252520 | 25X20X25 | 19.75 | 19.75 | 15.80 | 103 | 49.0 | 0.236 | 56 |
| PEXF6RT0251625 * | 25X25X16 | 19.75 | 11.80 | 19.75 | 102 | 53.0 | - | - |
| PEXF6RT0252025 * | 25X25X20 | 19.75 | 15.80 | 19.75 | 104 | 53.0 | - | - |
| PEXF6RT0252532 * | 25X32X25 | 19.75 | 19.75 | 25.75 | 106 | 60.0 | - | - |
| PEXF6RT0322516 * | 32X16X25 | 25.75 | 19.75 | 11.80 | 105 | 50.0 | - | - |
| PEXF6RT0323216 | 32X16X32 | 25.75 | 25.75 | 11.80 | 110 | 50.0 | 0.330 | 48 |
| PEXF6RT0322020 * | 32X20X20 | 25.75 | 15.80 | 15.80 | 104 | 53.0 | - | - |
| PEXF6RT0322520 | 32X20X25 | 25.75 | 19.75 | 15.80 | 109 | 53.0 | 0.298 | 48 |
| PEXF6RT0323216 | 32X16X32 | 25.75 | 25.75 | 11.80 | 112 | 51.5 | 0.310 | 48 |
| PEXF6RT0323220 | 32X20X32 | 25.75 | 25.75 | 15.80 | 114 | 53.0 | 0.350 | 48 |
| PEXF6RT0322525 | 32X25X25 | 25.75 | 19.75 | 19.75 | 114 | 59.0 | 0.333 | 32 |
| PEXF6RT0323225 | 32X25X32 | 25.75 | 25.75 | 19.75 | 120 | 59.0 | 0.390 | 24 |

*This item requires special ordering. Please consult with a salesperson for the estimated lead time.

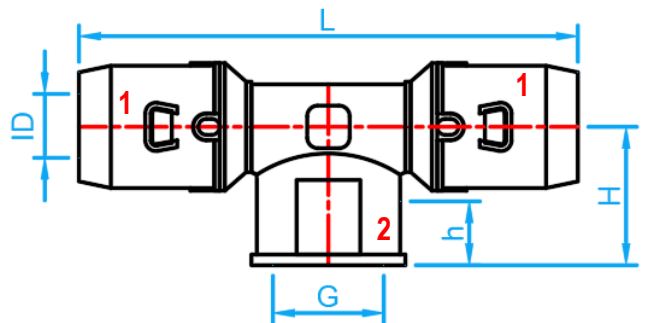
PEX MULTI LAYER PIPES AND FITTINGS



COMPLY WITH BS EN ISO 21003-1:2008
 BS EN ISO 21003-3:2008
 BS EN ISO 21003-5:2008
 BS EN 12165:2016
 AS/NZS 4020:2005
 SS 375:2015



F6 PUSH-FIT PEX FI TEE



SIDE VIEW

DIMENSIONS

| SKU | SIZE (mmxinch) | ID (mm) | G BSPT (inch) | h (mm) | L (mm) | H (mm) | WEIGHT (kg) | PCS/CTN |
|-----------------|----------------|---------|---------------|--------|--------|--------|-------------|---------|
| PEXF6FIT01616 | 16X1/2" | 11.80 | 1/2" | 14 | 94 | 26 | 0.118 | 110 |
| PEXF6FIT01620 * | 16X3/4" | 11.80 | 3/4" | 15 | 99 | 27 | - | - |
| PEXF6FIT02016 | 20X1/2" | 15.80 | 1/2" | 14 | 97 | 27 | 0.122 | 90 |
| PEXF6FIT02020 * | 20X3/4" | 15.80 | 3/4" | 15 | 102 | 28 | - | - |
| PEXF6FIT02516 * | 25X1/2" | 19.75 | 1/2" | 14 | 107 | 29 | - | - |
| PEXF6FIT02520 * | 25X3/4" | 19.75 | 3/4" | 15 | 112 | 30 | - | - |
| PEXF6FIT03216 * | 32X1/2" | 25.75 | 1/2" | 14 | 118 | 32 | - | - |
| PEXF6FIT03220 * | 32X3/4" | 25.75 | 3/4" | 15 | 123 | 33 | - | - |
| PEXF6FIT03225 * | 32X1" | 25.75 | 1" | 16 | 131 | 34 | - | - |

*This item requires special ordering. Please consult with a salesperson for the estimated lead time.

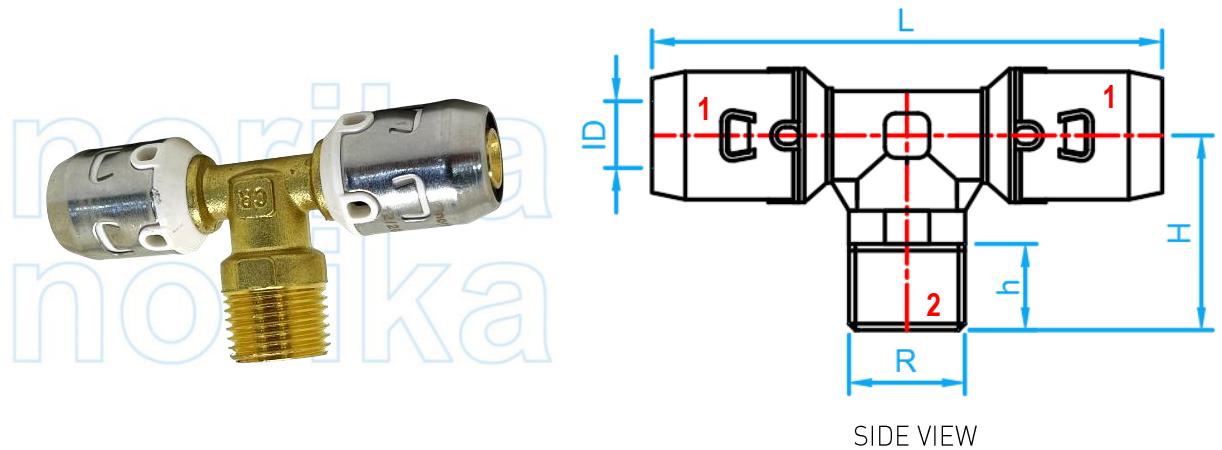
PEX MULTI LAYER PIPES AND FITTINGS



COMPLY WITH BS EN ISO 21003-1:2008
 BS EN ISO 21003-3:2008
 BS EN ISO 21003-5:2008
 BS EN 12165:2016
 AS/NZS 4020:2005
 SS 375:2015



F6 PUSH-FIT PEX MI TEE



DIMENSIONS

| SKU | SIZE (mmxinch) | ID (mm) | R BSPT (inch) | h (mm) | L (mm) | H (mm) | WEIGHT (kg) | PCS/CTN |
|-----------------|----------------|---------|---------------|--------|--------|--------|-------------|---------|
| PEXF6MIT01616 | 16X1/2" | 11.80 | 1/2" | 14 | 92 | 35 | 0.115 | 100 |
| PEXF6MIT01620 | 16X3/4" | 11.80 | 3/4" | 15 | 97 | 36 | 0.140 | 100 |
| PEXF6MIT02016 * | 20X1/2" | 15.80 | 1/2" | 14 | 94 | 37 | - | - |
| PEXF6MIT02020 * | 20X3/4" | 15.80 | 3/4" | 15 | 100 | 38 | - | - |
| PEXF6MIT02516 * | 25X1/2" | 19.75 | 1/2" | 14 | 107 | 41 | - | - |
| PEXF6MIT02520 | 25X3/4" | 19.75 | 3/4" | 15 | 112 | 42 | 0.231 | 48 |
| PEXF6MIT03220 * | 32X3/4" | 25.75 | 3/4" | 15 | 123 | 45 | - | - |
| PEXF6MIT03225 * | 32X1" | 25.75 | 1" | 16 | 130 | 46 | - | - |

*This item requires special ordering. Please consult with a salesperson for the estimated lead time.

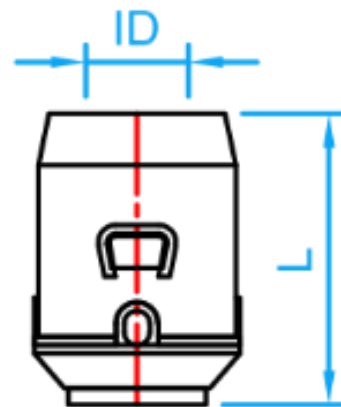
PEX MULTI LAYER PIPES AND FITTINGS



COMPLY WITH BS EN ISO 21003-1:2008
 BS EN ISO 21003-3:2008
 BS EN ISO 21003-5:2008
 BS EN 12165:2016
 AS/NZS 4020:2005
 SS 375:2015



F6 PUSH-FIT PEX END CAP



SIDE VIEW

DIMENSIONS

| SKU | SIZE (mm) | ID (mm) | L (mm) | WEIGHT (kg) | PCS/CTN |
|------------|-----------|---------|--------|-------------|---------|
| PEXF6EC016 | 16 | 11.80 | 34.0 | 0.037 | 288 |
| PEXF6EC020 | 20 | 15.80 | 35.5 | 0.054 | 192 |
| PEXF6EC025 | 25 | 19.75 | 40.5 | 0.086 | 128 |
| PEXF6EC032 | 32 | 25.75 | 46.0 | 0.142 | 108 |

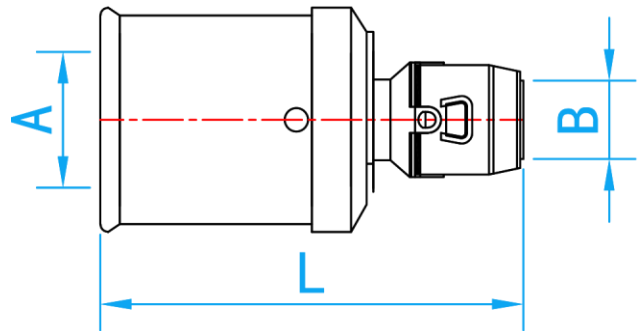
PEX MULTI LAYER PIPES AND FITTINGS



COMPLY WITH BS EN ISO 21003-1:2008
 BS EN ISO 21003-3:2008
 BS EN ISO 21003-5:2008
 BS EN 12165:2016
 AS/NZS 4020:2005
 SS 375:2015



F5 PRESSFIT X F6 PUSH-FIT PEX REDUCER



SIDE VIEW

DIMENSIONS

| SKU | SIZE A×B (mm) | A (mm) | B (mm) | L (mm) | WEIGHT (kg) | PCS/CTN |
|--------------|---------------------|-----------|-----------|-----------|----------------|---------|
| PEXF6RS04032 | 40×32 | 31.75 | 25.75 | 85.0 | 0.284 | 42 |
| PEXF6RS05020 | 50×20 | 40.75 | 15.80 | 93.5 | 0.290 | 38 |

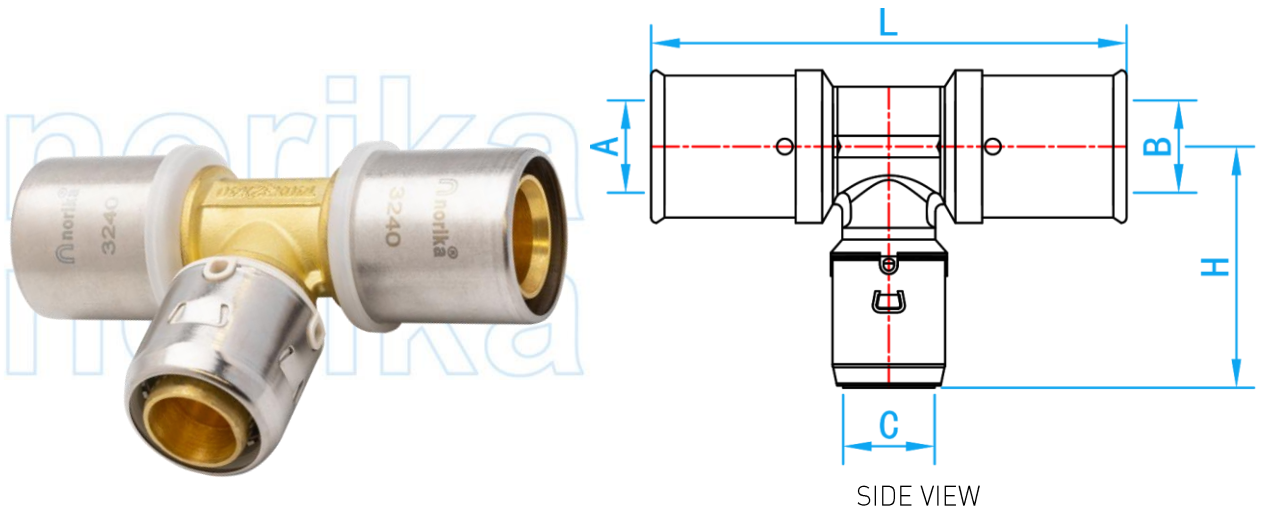
PEX MULTI LAYER PIPES AND FITTINGS



COMPLY WITH BS EN ISO 21003-1:2008
 BS EN ISO 21003-3:2008
 BS EN ISO 21003-5:2008
 BS EN 12165:2016
 AS/NZS 4020:2005
 SS 375:2015



F5 PRESSFIT X F6 PUSH-FIT PEX REDUCING TEE



DIMENSIONS

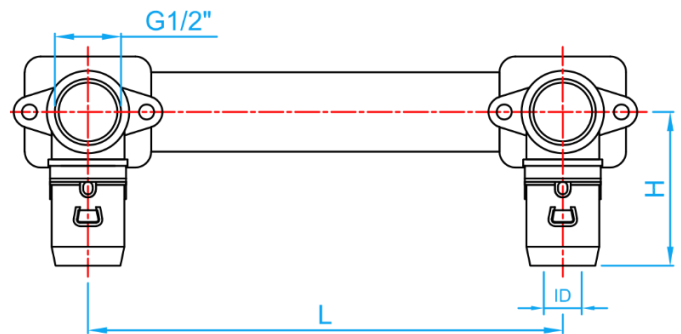
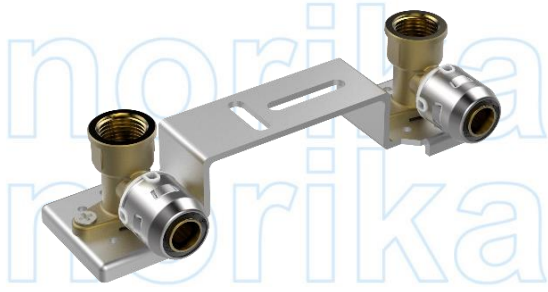
| SKU | SIZE A×B×C (mm) | A (mm) | B (mm) | C (mm) | L (mm) | H (mm) | WEIGHT (kg) | PCS/CTN |
|----------------|-----------------------|-----------|-----------|-----------|-----------|-----------|----------------|---------|
| PEXF6RT0404025 | 40×40×25 | 31.75 | 31.75 | 19.75 | 128 | 63 | 0.485 | 24 |
| PEXF6RT0404032 | 40×40×32 | 31.75 | 31.75 | 25.75 | 136 | 68 | 0.556 | 20 |

PEX PIPES AND FITTINGS

COMPLY WITH BS EN ISO 21003-1:2008
 BS EN ISO 21003-3:2008
 SS 375:2015



F6 PUSH-FIT PEX ASSEMBLY DOUBLE FLANGE ELBOW



SIDE VIEW

DIMENSIONS

| SKU | SIZE (mmxinch) | ID (mm) | L (mm) | H (mm) | WEIGHT (kg) | PCS/CTN |
|-----------------|-------------------|------------|-----------|-----------|----------------|---------|
| PEXF6FE016S | 16X1/2" | 11.8 | 150 | 49.5 | 0.223 | 16 |
| PEXF6FE02016S * | 20X1/2" | 15.8 | 150 | 51.0 | - | - |

*This item requires special ordering. Please consult with a salesperson for the estimated lead time.



TEST CERTIFICATE

POTABLE WATER FITTINGS SCHEME

Certificate Number : TC-J0259
Issue No: 02

This Certificate is awarded to the following product(s) which has / have complied with the requirements of the listed standard(s) in accordance with Stipulation of Standards and Requirements for Water Fittings for Use in Potable Water Service Installations.

Client : **Liang Chew Hardware Pte Ltd**
 133 Kitchener Road
 Singapore 208517

Product : DZR Brass Ball Valves (Type 6)

Brand / Model : Norika / PEXF6BV16, PEXF6BV20, PEXF6BV25

Detail : Sizes (mm): 16, 20 & 25
 F6 PEX Push-Fit

Test Standard(s) : BS EN 13828: 2003, BS EN 12165: 2016,
 AS/NZS 4020: 2018, SS 375: 2015

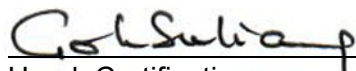
Test Report(s) : 2120979/02-OYC, 2020843/01-CPC, 2020889-
 CPC, 1920431/01-CPC

A sample of the product submitted was tested and found to comply with the test requirements of the above standard(s).

Date of Original Issue : 21 April 2021

Date of Last Revision : 07 Feb 2023

Date of Expiry : 20 April 2025


 Head, Certification
Singapore Test Lab Pte Ltd

This Certificate is part of a full report and should be read in conjunction with it. This Certificate remains the property of Singapore Test Lab Pte Ltd and shall be returned upon request. The use of this Certificate is subjected to the Terms and Conditions of Singapore Test Lab Pte Ltd. The manufacturer is solely responsible for the compliance of any product that has the same designation as the product type tested.



Singapore Test Lab Pte Ltd certifies according to ISO / IEC 17065

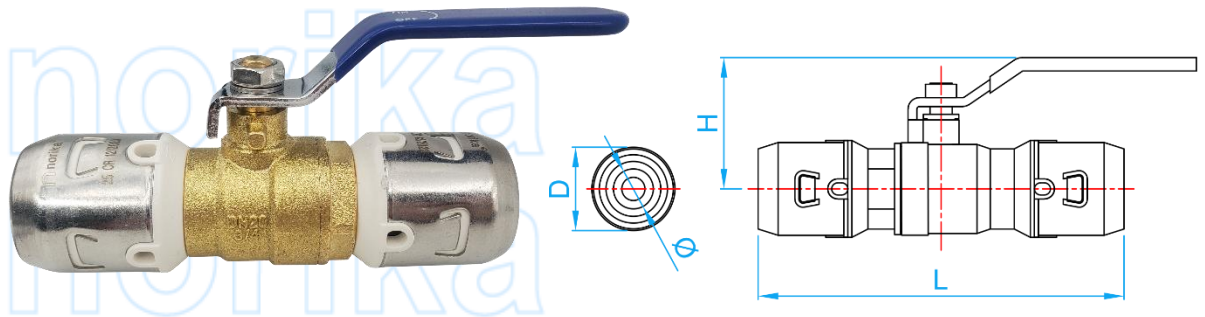


PEX PIPES AND FITTINGS

COMPLY WITH BS EN ISO 21003-1:2008
 BS EN ISO 21003-3:2008
 SS 375:2015



F6 PUSH-FIT PEX BALL VALVE



DIMENSIONS

| SKU | SIZE (mm) | D (mm) | L (mm) | H (mm) | WEIGHT (kg) | PCS/CTN |
|------------|-----------|--------|--------|--------|-------------|---------|
| PEXF6BV016 | 16 | 25 | 92.5 | 38 | 0.156 | 120 |
| PEXF6BV020 | 20 | 29 | 100.0 | 43 | 0.236 | 96 |
| PEXF6BV025 | 25 | 35 | 114.5 | 46 | 0.324 | 72 |

Built For Water



Main Office

133 Kitchener Road
Singapore 208517

Mon-Fri: 8:00am - 5:30pm
Sat: 8:00am - 1:00pm
Sun & PH: Closed

North Office

10 Admiralty Street, North
Link Building #02-45
Singapore 757695

Mon-Fri: 8:00am - 5:00pm
Sat: 8:00am - 1:00pm
Sun & PH: Closed