

NORIKA COPPER CAPILLARY FITTINGS





TEST CERTIFICATE

POTABLE WATER FITTINGS SCHEME

Certificate Number : TC-J0120
Issue No: 04

This Certificate is awarded to the following product(s) which has / have complied with the requirements of the listed standard(s) in accordance with Stipulation of Standards and Requirements for Water Fittings for Use in Potable Water Service Installations.

Client : **Liang Chew Hardware Pte Ltd**
 133 Kitchener Road
 Singapore 208517

Product : Copper Capillary Fittings

Brand / Model : Norika / MBL

Detail : Sizes (mm): 15, 22, 28, 35, 42, 54, 67, 76, 108 & 159

Test Standard(s) : BS EN 1254 - 1 & 2: 1998, BS EN 1982: 2008, AS/NZS 4020: 2005


Test Report(s) : 2423082-LCH, 21501001-OYC, 2020678-CPC, 7191081605-MEC14-LNB, 7191081605-MEC14-SBT, 7191081605-CHM14-EKH-02, 7191081605-CHM14-KPF-CR1, 7191081605-CHM14-EO

A sample of the product submitted was tested and found to comply with the test requirements of the above standard(s).

Date of Original Issue : 19 December 2019

Date of Last Revision : 12 January 2024

Date of Expiry : 18 December 2025


 Head, Certification
 Singapore Test Lab Pte Ltd

This Certificate is part of a full report and should be read in conjunction with it. This Certificate remains the property of Singapore Test Lab Pte Ltd and shall be returned upon request. The use of this Certificate is subjected to the Terms and Conditions of Singapore Test Lab Pte Ltd. The manufacturer is solely responsible for the compliance of any product that has the same designation as the product type tested.



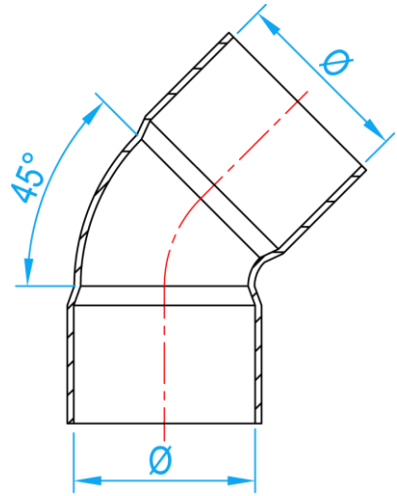
Singapore Test Lab Pte Ltd certifies according to ISO / IEC 17065



CAPILLARY FITTING

45° ELBOW

COMPLY WITH BSEN1254-1:1998



CROSS SECTIONAL VIEW

COMPONENTS PARTS

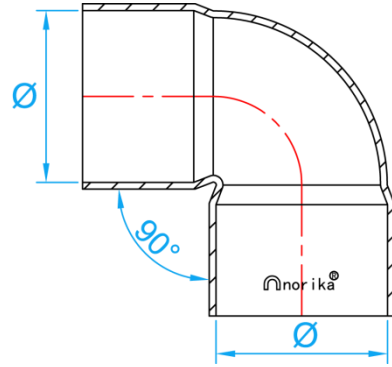
PARTS	MATERIAL
ELBOW	COPPER

DIMENSIONS

SKU	SIZE (mm)	WEIGHT (Kg)	PCS/CTN
MBLE45015	15	0.014	1250
MBLE45020	22	0.025	500
MBLE45025	28	0.039	250
MBLE45035	35	0.076	150
MBLE45042	42	0.115	85
MBLE45050	54	0.184	44
MBLE45065	67	0.309	25
MBLE45080	76	0.393	20
MBLE45100	108	1.130	8
MBLE45150	159	2.600	2

CAPILLARY FITTING 90° ELBOW

COMPLY WITH BSEN1254-1:1998



CROSS SECTIONAL VIEW

COMPONENTS PARTS

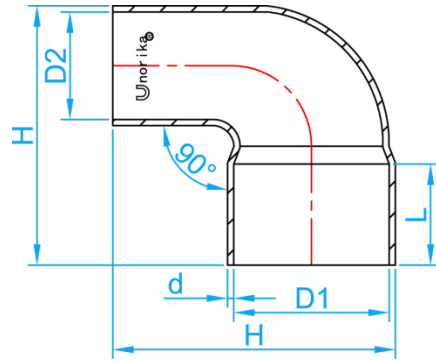
PARTS	MATERIAL
REDUCER	COPPER

DIMENSIONS

SKU	DN Ø (mm)	WEIGHT (Kg)	PCS/CTN
MBLE90015	15	0.011	1250
MBLE90020	22	0.029	450
MBLE90025	28	0.046	250
MBLE90035	35	0.087	100
MBLE90042	42	0.129	70
MBLE90050	54	0.222	40
MBLE90065	67	0.346	22
MBLE90080	76	0.460	16
MBLE90100	108	1.250	5
MBLE90150	159	2.725	2

COPPER REDUCING 90° ELBOW

COMPLY WITH BSEN1254-1:1998



CROSS SECTIONAL VIEW

COMPONENTS PARTS

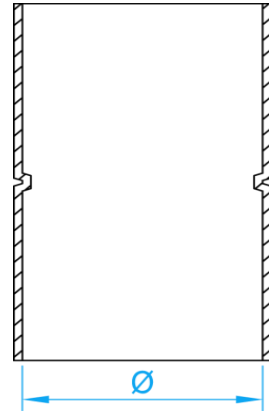
PARTS	MATERIAL
Elbow	Copper

DIMENSIONS

SKU	SIZE (mm)	D1 (mm)	D2 (mm)	d (mm)	L [mm]	H [mm]	WEIGHT (Kg)	PCS/CTN
MBLRE9002015	22 x 15	22	15	0.9	15.4	35	0.0225	500
MBLRE9002515	28 x 15	28	15	0.9	17.0	37	0.0308	200
MBLRE9002520	28 x 22	28	22	0.9	19.0	46	0.0408	200

CAPILLARY FITTING EQUAL SOCKET WITH ROLL-STOP

COMPLY WITH BSEN1254-1:1998



CROSS SECTIONAL VIEW

COMPONENTS PARTS

PARTS	MATERIAL
EQUAL SOCKET	COPPER

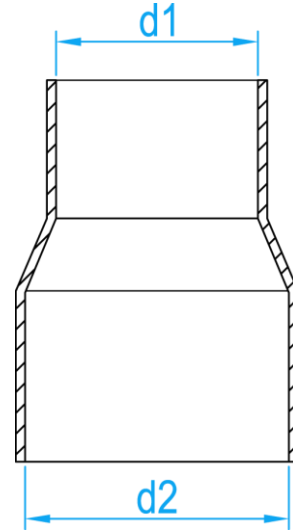
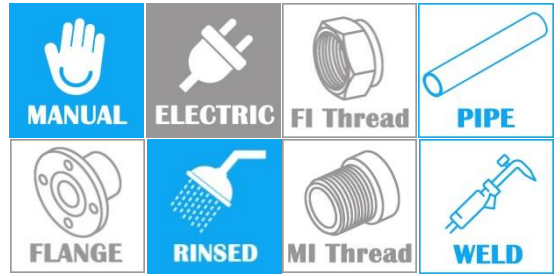
DIMENSIONS

SKU	SIZE (mm)	WEIGHT (Kg)	PCS/CTN
MBLES015	15	0.002	2000
MBLES020	22	0.018	750
MBLES025	28	0.028	340
MBLES035	35	0.051	240
MBLES042	42	0.070	130
MBLES050	54	0.134	72
MBLES065	67	0.195	44
MBLES080	76	0.258	36
MBLES100	108	0.698	12
MBLES150	159	1.385	4

CAPILLARY REDUCER

COMPLY WITH BSEN1254-1:1998

REDUCER



CROSS SECTIONAL VIEW

COMPONENTS PARTS

PARTS	MATERIAL
REDUCER	COPPER

DIMENSIONS

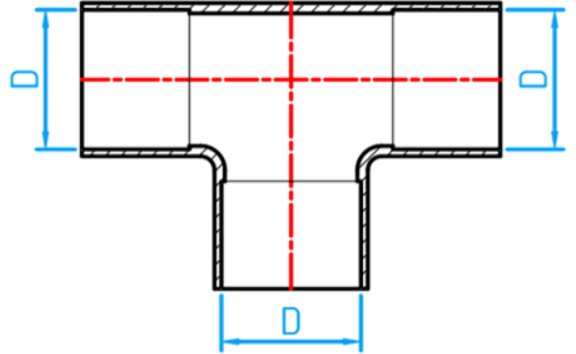
SKU	d2 (mm)	d1 (mm)	WEIGHT (Kg)	PCS/CTN
MBLRS01512	15	12	0.015	1000
MBLRS02015	22	15	0.017	1200
MBLRS02515	28	15	0.030	810
MBLRS02520	28	22	0.031	810
MBLRS03515	35	15	0.052	360
MBLRS03520	35	22	0.052	360
MBLRS03525	35	28	0.052	360
MBLRS04215	42	15	0.073	200
MBLRS04220	42	22	0.075	200
MBLRS04225	42	28	0.078	200
MBLRS04235	42	35	0.086	200
MBLRS05015	54	15	0.105	128
MBLRS05020	54	22	0.106	128
MBLRS05025	54	28	0.143	120
MBLRS05035	54	35	0.143	120
MBLRS05042	54	42	0.145	120

DIMENSIONS

SKU	d2 (mm)	d1 (mm)	WEIGHT (Kg)	PCS/CTN
MBLRS06515	67	15	0.186	60
MBLRS06520	67	22	0.244	60
MBLRS06525	67	28	0.252	60
MBLRS06535	67	35	0.266	60
MBLRS06542	67	42	0.233	60
MBLRS06550	67	54	0.226	45
MBLRS08025	76	28	0.280	45
MBLRS08035	76	35	0.276	45
MBLRS08042	76	42	0.276	45
MBLRS08050	76	54	0.300	45
MBLRS08065	76	67	0.289	45
MBLRS10050	108	54	0.658	20
MBLRS10065	108	67	0.630	20
MBLRS10080	108	76	0.562	20
MBLRS150100	159	108	1.545	2

CAPILLARY FITTING EQUAL TEE

COMPLY WITH BSEN1254-1:1998



CROSS SECTIONAL VIEW

COMPONENTS PARTS

PARTS	MATERIAL
EQUAL TEE	COPPER

DIMENSIONS

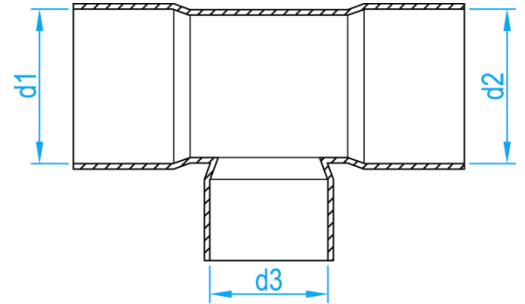
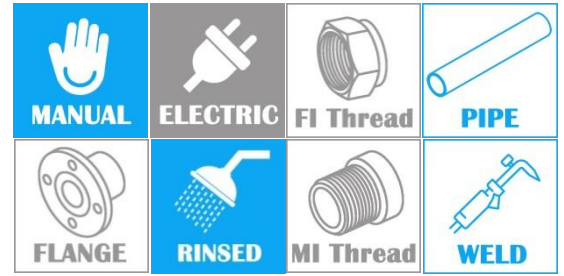
SKU	DN (mm)	D (mm)	WEIGHT (Kg)	PCS/CTN
MBLET015	15	15	0.018	750
MBLET020	22	22	0.046	250
MBLET025	28	28	0.085	120
MBLET035	35	35	0.137	70
MBLET042	42	42	0.209	50
MBLET050	54	54	0.365	24
MBLET065	67	66	0.534	14
MBLET080	76	76	0.800	10
MBLET100	108	108	2.100	4
MBLET150	159	159	4.635	1

CAPILLARY REDUCER TEE

COMPLY WITH BSEN1254-1:1998

COMPONENTS PARTS

PARTS	MATERIAL
REDUCER TEE	COPPER



CROSS SECTIONAL VIEW

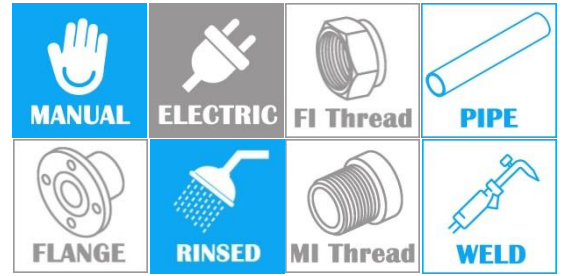
DIMENSIONS

SKU	d1 (mm)	d2 (mm)	d3 (mm)	WEIGHT (Kg)	PCS/CTN
MBLRT0151520	15	15	22	0.039	350
MBLRT0201515	22	15	15	0.041	300
MBLRT0202015	22	22	15	0.039	350
MBLRT0202025	22	22	28	0.041	150
MBLRT0201520	22	15	22	0.052	250
MBLRT0252015	28	22	15	0.063	150
MBLRT0252020	28	22	22	0.077	160
MBLRT0252025	28	20	28	0.083	130
MBLRT0252515	28	28	15	0.052	200
MBLRT0252520	28	28	22	0.065	150
MBLRT0352515	35	28	15	0.135	130
MBLRT0352525	35	28	28	0.128	130
MBLRT0352535	35	28	35	0.134	130
MBLRT0353515	35	35	15	0.098	130
MBLRT0353520	35	35	22	0.092	110
MBLRT0353525	35	35	28	0.117	80
MBLRT0424215	42	42	15	0.134	60
MBLRT0424220	42	42	22	0.134	60
MBLRT0424225	42	42	28	0.152	50
MBLRT0424235	42	42	35	0.173	50
MBLRT0505015	54	54	15	0.231	50
MBLRT0505020	54	54	22	0.242	48
MBLRT0505025	54	54	28	0.248	36

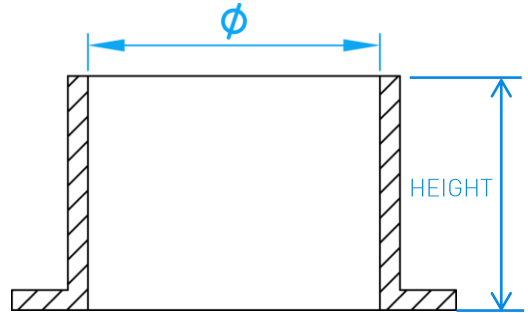
DIMENSIONS

SKU	d1 (mm)	d2 (mm)	d3 (mm)	WEIGHT (Kg)	PCS/CTN
MBLRT0505035	54	54	35	0.287	32
MBLRT0505042	54	54	42	0.316	32
MBLRT0656515	67	67	15	0.330	32
MBLRT0656520	67	67	22	0.380	30
MBLRT0656525	67	67	28	0.404	25
MBLRT0656535	67	67	35	0.452	25
MBLRT0656542	67	67	42	0.496	20
MBLRT0656550	67	67	54	0.536	15
MBLRT0808015	76	76	15	0.457	24
MBLRT0808020	76	76	22	0.558	20
MBLRT0808025	76	76	28	0.538	20
MBLRT0808035	76	76	35	0.515	20
MBLRT0808042	76	76	42	0.556	15
MBLRT0808050	76	76	54	0.630	15
MBLRT0808065	76	76	67	0.724	12
MBLRT10010025	108	108	28	1.120	8
MBLRT10010035	108	108	35	1.205	6
MBLRT10010042	108	108	42	1.430	6
MBLRT10010050	108	108	54	1.600	5
MBLRT10010065	108	108	67	1.565	5
MBLRT10010080	108	108	76	2.148	5
MBLRT15015050	108	108	54	2.500	2
MBLRT150150100	159	159	108	4.000	2

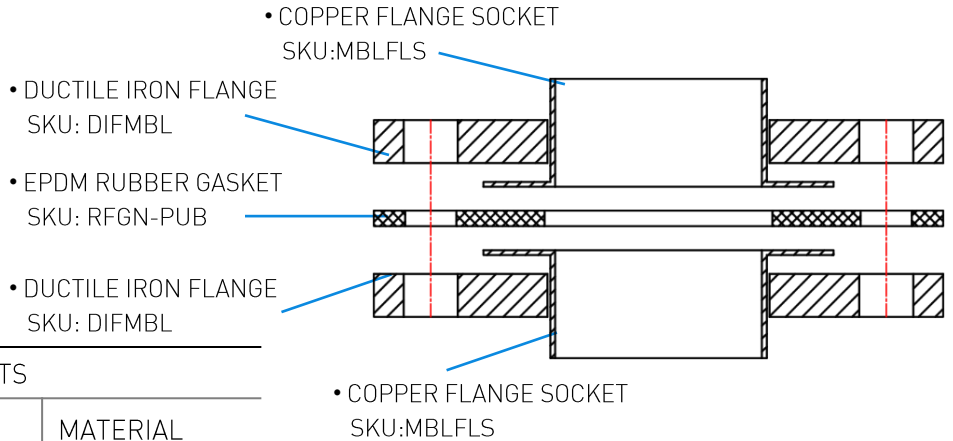
COPPER CAPILLARY FITTINGS FLANGE SOCKET (COMPOSITE FEMALE FLANGE PN16)



COMPLY WITH BSEN1254-1:1998



CROSS SECTIONAL VIEW



COMPONENT PARTS

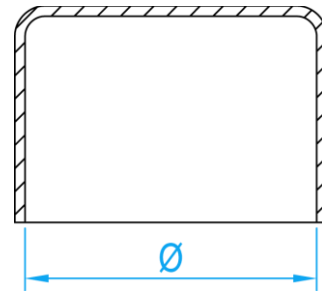
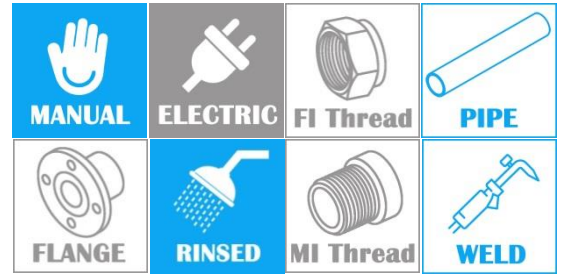
PARTS	MATERIAL
FLANGE SOCKET	COPPER

DIMENSIONS

SKU	SIZE (mm)	HEIGHT (mm)	WEIGHT (Kg)	PCS/CTN
MBLFLS020	22	17.0	0.040	100
MBLFLS025	28	19.5	0.045	100
MBLFLS035	35	23.0	0.045	170
MBLFLS042	42	28.0	0.056	170
MBLFLS050	54	28.5	0.082	75
MBLFLS065	67	35.0	0.148	40
MBLFLS080	76	36.0	0.172	30
MBLFLS100	108	50.0	0.228	12
MBLFLS150	159	50.0	0.550	4

COPPER CAPILLARY FITTINGS END CAP

COMPLY WITH BSEN1254-1:1998



CROSS SECTIONAL VIEW

COMPONENT PARTS

PARTS	MATERIAL
END CAP	COPPER

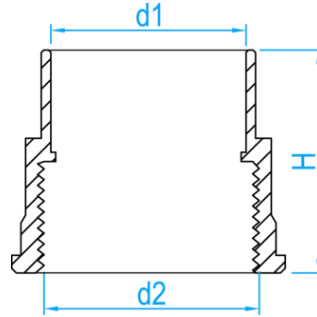
DIMENSIONS

SKU	SIZE (mm)	WEIGHT (Kg)	PCS/CTN
MBLEC015	15	0.005	3300
MBLEC020	22	0.015	1300
MBLEC025	28	0.020	720
MBLEC035	35	0.039	400
MBLEC042	42	0.053	250
MBLEC050	54	0.100	120
MBLEC065	67	0.147	50
MBLEC080	76	0.204	50
MBLEC100	108	0.538	24
MBLEC150	159	0.850	4

COPPER CAPILLARY FITTING

COMPLY WITH BSEN1254-1:1998
AS/NZS4020:2005
BSEN1982:2008

MBL FI ADAPTOR



CROSS SECTIONAL VIEW

COMPONENT PARTS

PARTS	MATERIAL
FI/MI Adaptor	Bronze

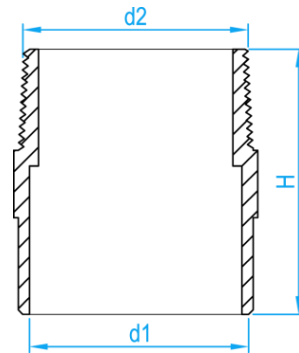
DIMENSIONS

SKU	d2 (inch)	d1 (mm)	H (mm)	WEIGHT (kg)	PCS/CTN
MBLFIA015	1/2" BSP	15	27	0.042	400
MBLFIA020	3/4" BSP	22	32.9	0.074	300
MBLFIA025	1" BSP	28	40.0	0.104	150
MBLFIA035	1 1/4" BSP	35	44.0	0.156	100
MBLFIA042	1 1/2" BSP	42	50.0	0.200	90
MBLFIA050	2" BSP	54	58.5	0.405	40
MBLFIA065	2 1/2" BSP	67	64.0	0.605	24

COPPER CAPILLARY FITTING

COMPLY WITH BSEN1254-1:1998
AS/NZS4020:2005
BSEN1982:2008

MBL MI ADAPTOR



CROSS SECTIONAL VIEW

COMPONENT PARTS

PARTS	MATERIAL
FI/MI Adaptor	Bronze

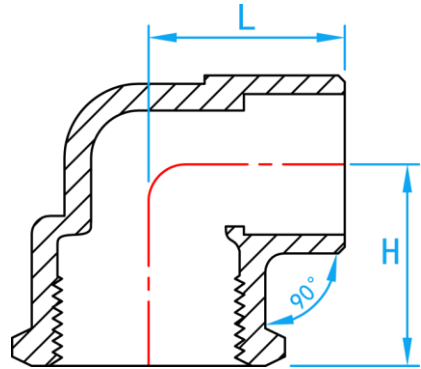
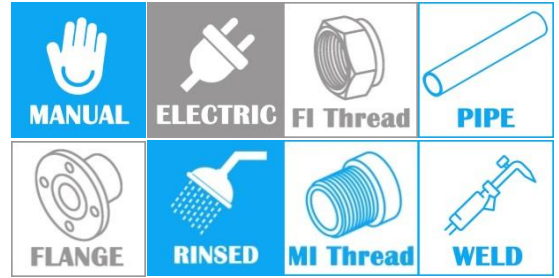
DIMENSIONS

SKU	d2 (inch)	d1 (mm)	H (mm)	WEIGHT (kg)	PCS/CTN
MBLMIA015	½"BSPT	15	31	0.045	500
MBLMIA020	¾"BSPT	22	34	0.070	300
MBLMIA025	1"BSPT	28	36	0.080	250
MBLMIA035	1¼"BSPT	35	43	0.135	120
MBLMIA042	1½"BSPT	42	50	0.230	100
MBLMIA050	2"BSPT	54	57	0.305	40
MBLMIA065	2½"BSPT	67	72	0.665	30
MBLMIA080	3"BSPT	76	76	0.855	18
MBLMIA100	4"BSPT	108	100	1.630	10

COPPER CAPILLARY FITTING

COMPLY WITH BSEN1254-1:1998
AS/NZS4020:2005
BSEN1982:2008

MBL FI ELBOW



CROSS SECTIONAL VIEW

COMPONENT PARTS

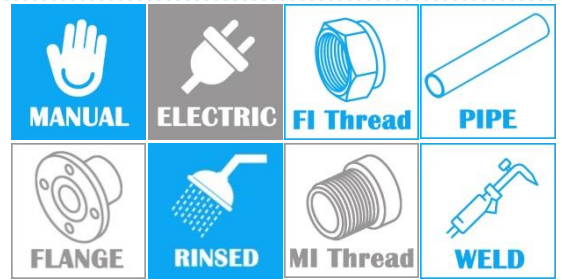
PARTS	MATERIAL
FI Elbow	Bronze

DIMENSIONS

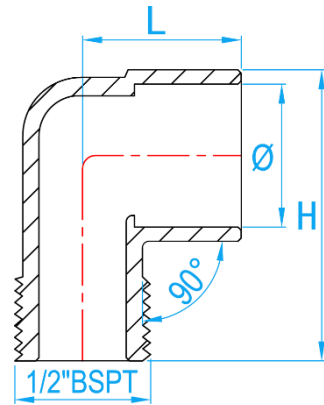
SKU	SIZE (inch x mm)	L (mm)	H (mm)	WEIGHT (kg)	PCS/CTN
MBLFIE015	½" BSP x15	22.5	20.5	0.050	400
MBLFIE020	¾" BSP x22	30.0	29.5	0.100	180
MBLFIE025	1" BSP x28	36.0	39.0	0.170	70

COPPER CAPILLARY FITTING

COMPLY WITH BSEN1254-1:1998
AS/NZS4020:2005
BSEN1982:2008



MBL MI ELBOW



CROSS SECTIONAL VIEW

COMPONENT PARTS

PARTS	MATERIAL
MI Elbow	Bronze

DIMENSIONS

SKU	L (mm)	Ø (mm)	H (mm)	WEIGHT (kg)	PCS/CTN
MBLMIE015	19	15	36	0.045	400
MBLMIE02015	24.52	20	45	0.070	200
MBLMIE02515	30.50	25	52	0.129	150
MBLMIE03515	35	35	60	0.155	70

Built For Water



Main Office

133 Kitchener Road
Singapore 208517

Mon-Fri: 8:00am - 5:30pm
Sat: 8:00am - 1:00pm
Sun & PH: Closed

North Office

10 Admiralty Street, North
Link Building #02-45
Singapore 757695

Mon-Fri: 8:00am - 5:00pm
Sat: 8:00am - 1:00pm
Sun & PH: Closed