

NORIKA STAINLESS STEEL 304 THREADED FITTINGS





TEST CERTIFICATE

POTABLE WATER FITTINGS SCHEME

Certificate Number : TC-J0307
Issue No: 02

This Certificate is awarded to the following product(s) which has / have complied with the requirements of the listed standard(s) in accordance with Stipulation of Standards and Requirements for Water Fittings for Use in Potable Water Service Installations.

Client : **Liang Chew Hardware Pte Ltd**
 133 Kitchener Road
 Singapore 208517

Product : Stainless Steel Threaded Fittings

Brand / Model : Norika / SS304 Threaded Fittings

Detail : Size (mm): 15 to 100

Test Standard(s) : BS EN 1254-2: 1998, AS/NZS 4020: 2018, SS 375: 2015

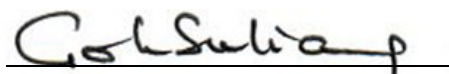
Test Report(s) : 2221548/01-OYC, 2221548/03-CPC, 1920431/01-CPC

A sample of the product submitted was tested and found to comply with the test requirements of the above standard(s).

Date of Original Issue : 29 March 2022

Date of Last Revision : 16 January 2024

Date of Expiry : 28 March 2026


 Head, Certification
 Singapore Test Lab Pte Ltd

This Certificate is part of a full report and should be read in conjunction with it. This Certificate remains the property of Singapore Test Lab Pte Ltd and shall be returned upon request. The use of this Certificate is subjected to the Terms and Conditions of Singapore Test Lab Pte Ltd. The manufacturer is solely responsible for the compliance of any product that has the same designation as the product type tested.



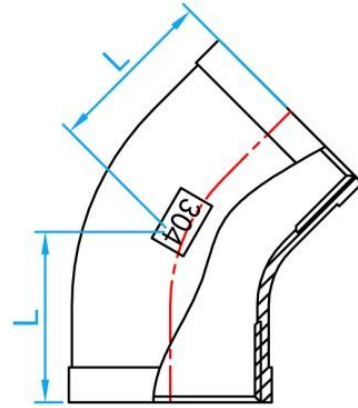
Singapore Test Lab Pte Ltd certifies according to ISO / IEC 17065



STAINLESS STEEL 304 THREADED FITTINGS

45° ELBOW

COMPLY WITH BSEN1254-2:1998
AS/NZS 4020:2018



CROSS SECTIONAL VIEW

DIMENSIONS

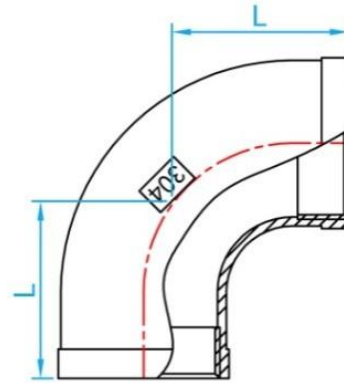
SKU	SIZE (inch)	L (mm)	WEIGHT (kg)	PCS/CTN
SS304E45015	½"BSPT	19.5	0.060	400
SS304E45020	¾"BSPT	23.4	0.088	250
SS304E45025	1"BSPT	28.0	0.130	120
SS304E45035	1¼"BSPT	33.2	0.222	50
SS304E45042	1½"BSPT	36.7	0.282	50
SS304E45050	2"BSPT	44.6	0.442	40
SS304E45065	2½"BSPT	54.0	0.740	25
SS304E45080	3"BSPT	61.8	1.110	10
SS304E45100	4"BSPT	61.0	1.850	5

* AISI316 material available upon request.

STAINLESS STEEL 304 THREADED FITTINGS

90° ELBOW

COMPLY WITH BSEN1254-2:1998
AS/NZS 4020:2018



CROSS SECTIONAL VIEW

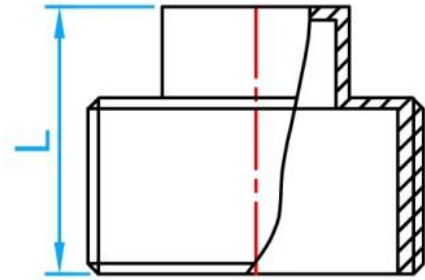
DIMENSIONS

SKU	SIZE (inch)	L (mm)	WEIGHT (kg)	PCS/CTN
SS304E90015	½"BSPT	26	0.0739	300
SS304E90020	¾"BSPT	32	0.1092	200
SS304E90025	1"BSPT	35	0.1705	100
SS304E90035	1¼"BSPT	34.7	0.2806	50
SS304E90042	1½"BSPT	47	0.3555	50
SS304E90050	2"BSPT	58	0.5266	32
SS304E90065	2½"BSPT	67	0.9400	20
SS304E90080	3"BSPT	75	1.3400	10
SS304E90100	4"BSPT	95.5	2.3000	5

STAINLESS STEEL 304 THREADED FITTINGS

SCREW PLUG

COMPLY WITH BSEN1254-2:1998
AS/NZS 4020:2018



CROSS SECTIONAL VIEW

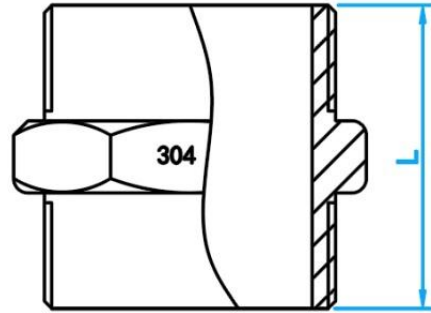
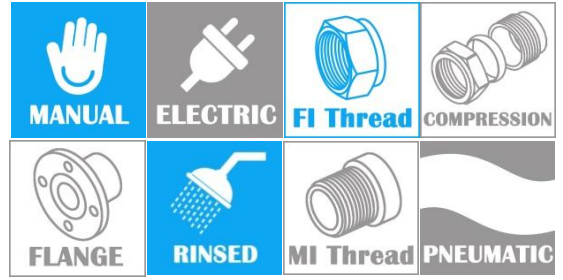
DIMENSIONS

SKU	SIZE (inch)	L (mm)	WEIGHT (kg)	PCS/CTN
SS304SP015	1/2"BSPT	21	0.0257	1500
SS304SP020	3/4"BSPT	24	0.0354	500
SS304SP025	1"BSPT	27	0.0583	100
SS304SP035	1 1/4"BSPT	34	0.1045	100
SS304SP042	1 1/2"BSPT	36	0.1220	100
SS304SP050	2"BSPT	40	0.1923	120
SS304SP065	2 1/2"BSPT	40	0.3055	80
SS304SP080	3"BSPT	44	0.4744	60
SS304SP100	4"BSPT	59	0.8450	10

STAINLESS STEEL 304 THREADED FITTINGS

EQUAL NIPPLE

COMPLY WITH BSEN1254-2:1998
AS/NZS 4020:2018



CROSS SECTIONAL VIEW

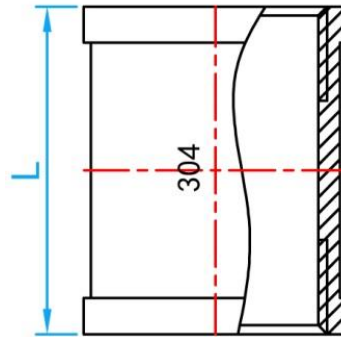
DIMENSIONS

SKU	SIZE (inch)	L (mm)	WEIGHT (kg)	PCS/CTN
SS304EN015	½"BSPT	38.0	0.045	500
SS304EN020	¾"BSPT	38.0	0.065	300
SS304EN025	1"BSPT	44.0	0.100	200
SS304EN035	1¼"BSPT	50.0	0.155	100
SS304EN042	1½"BSPT	54.0	0.180	100
SS304EN050	2"BSPT	58.0	0.285	50
SS304EN065	2½"BSPT	62.0	0.530	30
SS304EN080	3"BSPT	66.0	0.600	22
SS304EN100	4"BSPT	74.0	0.955	12

STAINLESS STEEL 304 THREADED FITTINGS

EQUAL SOCKET

COMPLY WITH BSEN1254-2:1998
AS/NZS 4020:2018



CROSS SECTIONAL VIEW

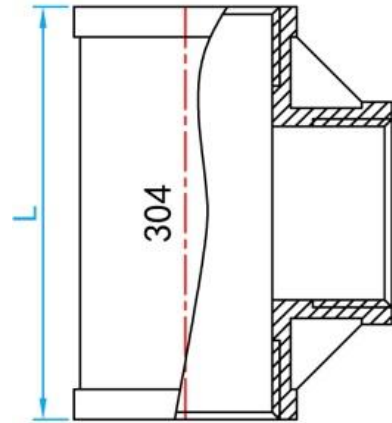
DIMENSIONS

SKU	SIZE (inch)	L (mm)	WEIGHT (kg)	PCS/CTN
SS304ES015	½"BSPT	35	0.0555	500
SS304ES020	¾"BSPT	40	0.0752	300
SS304ES025	1"BSPT	44	0.1143	200
SS304ES035	1¼"BSPT	49	0.1825	100
SS304ES042	1½"BSPT	54	0.2150	60
SS304ES050	2"BSPT	62	0.3560	50
SS304ES065	2½"BSPT	71	0.5345	26
SS304ES080	3"BSPT	76	0.7250	16

STAINLESS STEEL 304 THREADED FITTINGS

EQUAL TEE

COMPLY WITH BSEN1254-2:1998
AS/NZS 4020:2018



CROSS SECTIONAL VIEW

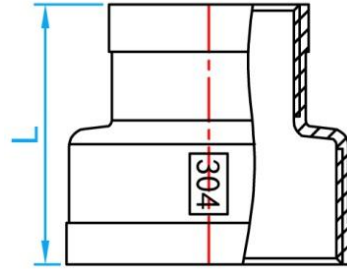
DIMENSIONS

SKU	SIZE (inch)	L (mm)	WEIGHT (kg)	PCS/CTN
SS304ET015	½"BSPT	55	0.0850	250
SS304ET020	¾"BSPT	65	0.1416	130
SS304ET025	1"BSPT	73.5	0.2259	75
SS304ET035	1¼"BSPT	86	0.3050	50
SS304ET042	1½"BSPT	95	0.4500	36
SS304ET050	2"BSPT	102	0.6370	24
SS304ET065	2½"BSPT	137	1.090	10
SS304ET080	3"BSPT	155	1.745	8
SS304ET100	½"BSPT	184	2.9000	4

STAINLESS STEEL 304 THREADED FITTINGS

REDUCING SOCKET

COMPLY WITH BSEN1254-2:1998
AS/NZS 4020:2018



CROSS SECTIONAL VIEW

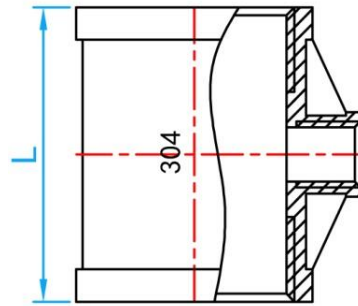
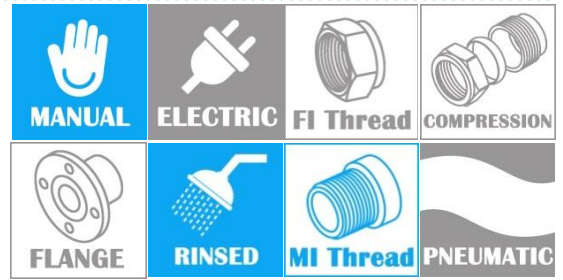
DIMENSIONS

SKU	BSPT THREAD (inch)	L (mm)	WEIGHT (kg)	PCS/CTN
SS304RS02015	3/4" × 1/2"	37	0.0710	300
SS304RS02515	1" × 1/2"	41	0.1130	200
SS304RS02520	1" × 3/4"	42	0.1125	200
SS304RS03515	1 3/4" × 1/2"	44	0.1612	150
SS304RS03520	1 3/4" × 3/4"	44	0.1700	150
SS304RS03525	1 3/4" × 1"	45	0.1695	120
SS304RS04215	1 1/2" × 1/2"	42	0.1892	100
SS304RS04220	1 1/2" × 3/4"	47	0.2188	100
SS304RS04225	1 1/2" × 1"	47	0.2283	100
SS304RS04235	1 1/2" × 1 3/4"	49	0.2358	80
SS304RS05015	2" × 1/2"	45	0.2955	80
SS304RS05020	2" × 3/4"	47	0.2904	80
SS304RS05025	2" × 1"	46	0.2885	80
SS304RS05035	2" × 1 3/4"	49	0.3060	80
SS304RS05042	2" × 1 1/2"	50	0.3266	80

STAINLESS STEEL 304 THREADED FITTINGS

REDUCING TEE

COMPLY WITH BSEN1254-2:1998
AS/NZS 4020:2018



CROSS SECTIONAL VIEW

DIMENSIONS

SKU	BSPT THREAD (inch)	L (mm)	WEIGHT (kg)	PCS/CTN
SS304RT01508*	1/2" × 1/4"	43.0	0.0749	100
SS304RT01510*	1/2" × 3/8"	48.5	0.0808	100
SS304RT02008	3/4" × 1/4"	48.2	0.0900	100
SS304RT02015	3/4" × 1/2"	59.0	0.1279	150
SS304RT02515	1" × 1/2"	65.0	0.1888	100
SS304RT02520	1" × 3/4"	73.0	0.1970	100
SS304RT03515	1 3/4" × 1/2"	66.0	0.2336	70
SS304RT03520	1 3/4" × 3/4"	71.0	0.2570	60
SS304RT03525	1 3/4" × 1"	83.0	0.2866	60
SS304RT04215	1 1/2" × 1/2"	70.0	0.2994	50
SS304RT04220	1 1/2" × 3/4"	76.0	0.3224	50
SS304RT04225	1 1/2" × 1"	82.0	0.3580	50
SS304RT04235	1 1/2" × 1 3/4"	91.5	0.4666	40
SS304RT05015	2" × 1/2"	72.0	0.3768	42
SS304RT05020	2" × 3/4"	76.0	0.4112	38
SS304RT05025	2" × 1"	84.0	0.4613	36
SS304RT05035	2" × 1 3/4"	92.0	0.5067	36
SS304RT05042	2" × 1 1/2"	100	0.5550	36
SS304RT06542	2 1/2" × 1 1/2"	106.5	0.8200	14
SS304RT06550	2 1/2" × 2"	118.0	0.8850	10
SS304RT08050	3" × 4"	125.0	1.1500	8
SS304RT08065	3" × 2 1/2"	133.3	1.4820	8
SS304RT10050	4" × 2"	133.2	1.9750	10

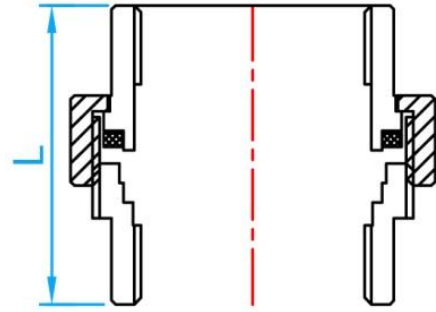
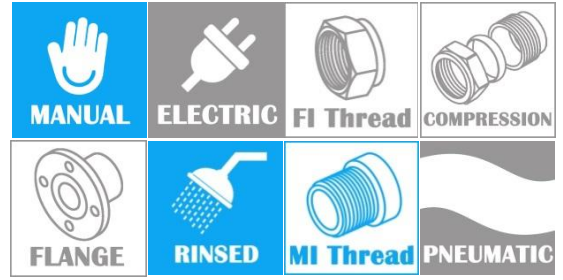
Note: AISI316 material available upon request.

*This item requires special ordering. Please consult with a salesperson for the estimated lead time.

STAINLESS STEEL 304 THREADED FITTINGS

UNION

COMPLY WITH BSEN1254-2:1998
AS/NZS 4020:2018
SS 375:2015



CROSS SECTIONAL VIEW

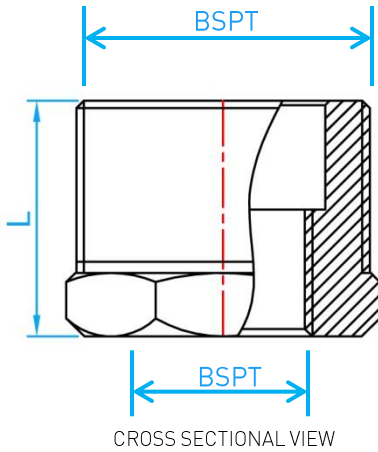
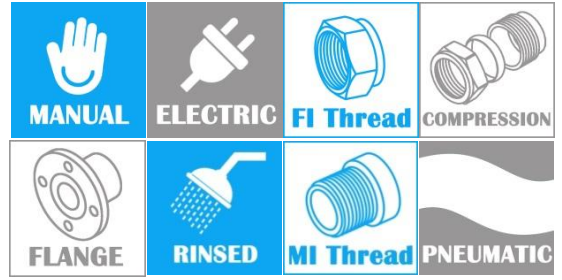
DIMENSIONS

SKU	SIZE (inch)	L (mm)	WEIGHT (kg)	PCS/CTN
SS304U015	½" BSPT	38.5	0.1273	250
SS304U020	¾" BSPT	44.0	0.2094	150
SS304U025	1" BSPT	48.0	0.2757	80
SS304U035	1¼" BSPT	52.0	0.3984	60
SS304U042	1½" BSPT	55.0	0.4719	40
SS304U050	2" BSPT	62.0	0.8210	25
SS304U065	2½" BSPT	73.0	1.2500	15
SS304U080	3" BSPT	80.0	1.755	10
SS304U100	4" BSPT	96.9	2.900	6

STAINLESS STEEL 304 THREADED FITTINGS

REDUCING BUSH

COMPLY WITH BSEN1254-2:1998
AS/NZS 4020:2018



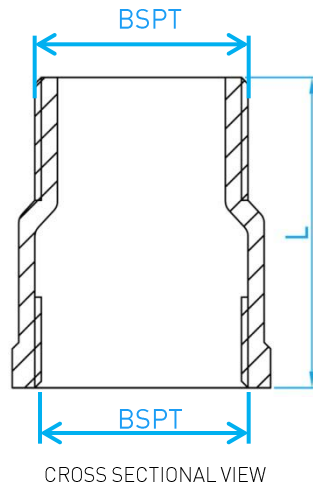
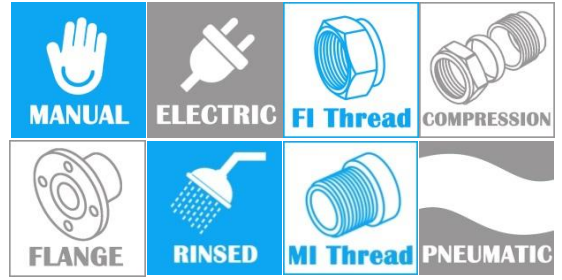
DIMENSIONS

SKU	SIZE (inch)	L (mm)	WEIGHT (kg)	PCS/CTN
SS304RB01506	1/2" × 1/8"	22	0.0360	1200
SS304RB01508	1/2" × 1/4"	22	0.0347	1200
SS304RB01510	1/2" × 3/8"	22	0.0341	1200
SS304RB02015	3/4" × 1/2"	26	0.0482	600
SS304RB02515	1" × 1/2"	27	0.0800	300
SS304RB02520	1" × 3/4"	27	0.0702	400
SS304RB03515	1 3/4" × 1/2"	30	0.1285	200
SS304RB03520	1 3/4" × 3/4"	30	0.1388	200
SS304RB03525	1 3/4" × 1"	30	0.1088	200
SS304RB04215	1 1/2" × 1/2"	31	0.1726	150
SS304RB04220	1 1/2" × 3/4"	31	0.1754	150
SS304RB04225	1 1/2" × 1"	31	0.1749	150
SS304RB04235	1 1/2" × 1 3/4"	31	0.1203	150
SS304RB05015	2" × 1/2"	33	0.2455	96
SS304RB05020	2" × 3/4"	33	0.2530	96
SS304RB05025	2" × 1"	33	0.2462	96
SS304RB05035	2" × 1 3/4"	33	0.2610	96
SS304RB05042	2" × 1 1/2"	33	0.2276	96
SS304RB06525	2 1/2" × 1"	41	0.4917	60
SS304RB06535	2 1/2" × 1 3/4"	39	0.6000	60
SS304RB06542	2 1/2" × 1 1/2"	39	0.5670	60
SS304RB06550	2 1/2" × 2"	39	0.4377	60
SS304RB08042	3" × 1 1/2"	44	0.8610	33
SS304RB08050	3" × 2"	44	0.5750	30
SS304RB08065	3" × 2 1/2"	44	0.5493	33
SS304RB10042	4" × 1 1/2"	50	1.6230	18
SS304RB10050	4" × 2"	48	1.0330	18
SS304RB10065	4" × 2 1/2"	48	1.0180	18
SS304RB10080	4" × 3"	48	1.0950	18

STAINLESS STEEL 304 THREADED FITTINGS

EQUAL SOCKET M/F

COMPLY WITH BSEN1254-2:1998
AS/NZS 4020:2018



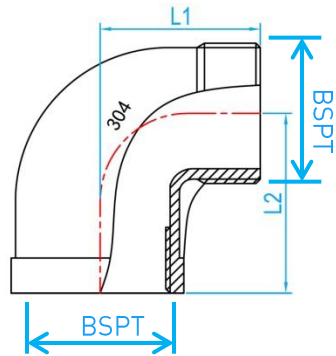
DIMENSIONS

SKU	SIZE (inch)	L (mm)	WEIGHT (kg)	PCS/CTN
SS304ES015MF	½"BSPT	40	0.053	500
SS304ES020MF	¾"BSPT	45	0.076	300
SS304ES025MF	1"BSPT	48	0.118	200
SS304ES035MF	1¼"BSPT	50	0.160	100
SS304ES042MF	1½"BSPT	52	0.204	80
SS304ES050MF	2"BSPT	61	0.307	50

STAINLESS STEEL 304 THREADED FITTINGS

STRAIGHT ELBOW [MXF]

COMPLY WITH BSEN1254-2:1998
AS/NZS 4020:2018



CROSS SECTIONAL VIEW

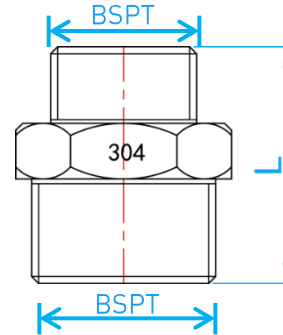
DIMENSIONS

SKU	SIZE (inch)	L1 (mm)	L2 (mm)	WEIGHT (kg)	PCS/CTN
SS304SE015MF	½"BSPT	37	29	0.068	350
SS304SE020MF	¾"BSPT	46	31	0.098	200
SS304SE025MF	1"BSPT	47	36	0.160	100
SS304SE035MF	1¼"BSPT	54	44	0.260	60
SS304SE042MF	1½"BSPT	58	49	0.330	50
SS304SE050MF	2"BSPT	69	56	0.532	30

STAINLESS STEEL 304 THREADED FITTINGS

REDUCING NIPPLE

COMPLY WITH BSEN1254-2:1998
AS/NZS 4020:2018



CROSS SECTIONAL VIEW

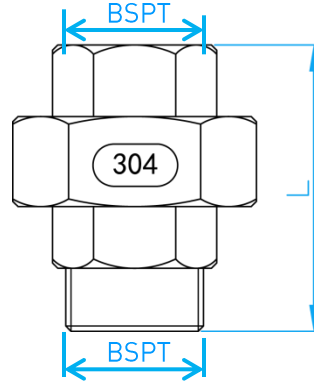
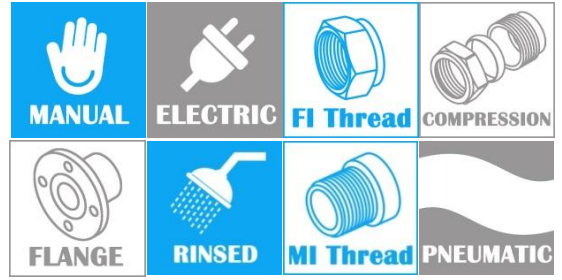
DIMENSIONS

SKU	BSPT THREAD (inch)	L (mm)	WEIGHT (kg)	PCS/CTN
SS304RN01506	1/2" × 1/4"	35.75	0.030	500
SS304RN01510	1/2" × 3/8"	36.30	0.040	500
SS304RN02015	3/4" × 1/2"	42.0	0.086	350
SS304RN02520	1" × 3/4"	47.0	0.210	200
SS304RN03515	1 1/4" × 1/2"	49.77	0.166	150
SS304RN03520	1 1/4" × 3/4"	50.50	0.167	150
SS304RN03525	1 1/4" × 1"	51.0	0.258	120
SS304RN04215	1 1/2" × 1/2"	49.0	0.280	100
SS304RN04220	1 1/2" × 3/4"	51.0	0.207	120
SS304RN04225	1 1/2" × 1"	51.0	0.368	80
SS304RN04235	1 1/2" × 1 1/4"	53.90	0.188	100
SS304RN05025	2" × 1"	56.0	0.390	80
SS304RN05035	2" × 1 3/4"	58.0	0.390	80
SS304RN05042	2" × 1 1/2"	57.20	0.240	80

STAINLESS STEEL 304 THREADED FITTINGS

UNION [MXF]

COMPLY WITH BSEN1254-2:1998
AS/NZS 4020:2018
SS 375:2015



CROSS SECTIONAL VIEW

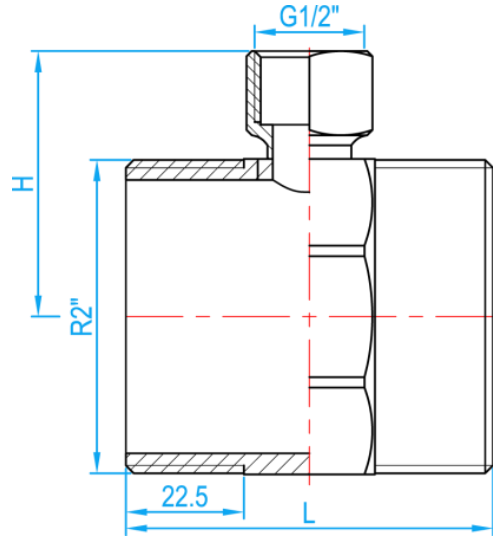
DIMENSIONS

SKU	THREAD SIZE (inch)	L (mm)	WEIGHT (kg)	PCS/CTN
SS304U015MF	1/2"	52.7	0.136	150
SS304U020MF	3/4"	58.0	0.217	120
SS304U025MF	1"	70.0	0.301	80
SS304U035MF	1 3/4"	72.0	0.504	50
SS304U042MF	1 1/2"	77.0	0.593	40
SS304U050MF	2"	90.0	0.944	20
SS304U065MF	2 1/2"	103.0	1.555	12

STAINLESS STEEL 304 THREADED FITTINGS

REDUCING TEE MXF

COMPLY WITH BSEN1254-2:1998
AS/NZS 4020:2018



CROSS SECTIONAL VIEW

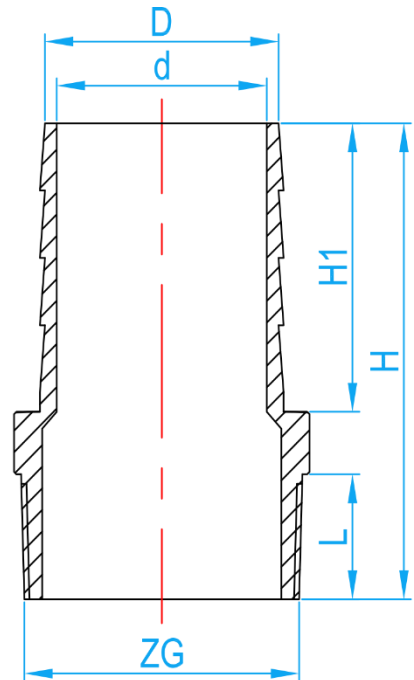
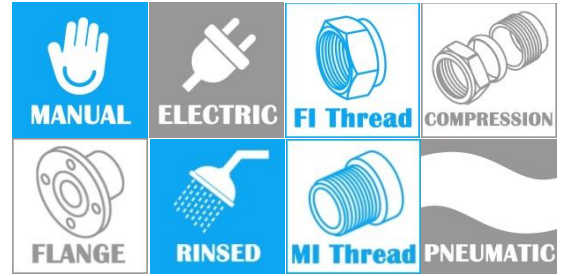
DIMENSIONS

STOCK CODE	SIZE (inch)	L (mm)	H (mm)	WEIGHT (kg)	PCS/CTN
SS304ENFIT0505015	2"BSPTX2"BSPTX1/2"BSP	70	51	0.404	30

STAINLESS STEEL 304 THREADED FITTINGS

COMBINATION HOSE NIPPLE (KC NIPPLE)

COMPLY WITH BSEN1254-2:1998
AS/NZS 4020:2018



CROSS SECTIONAL VIEW

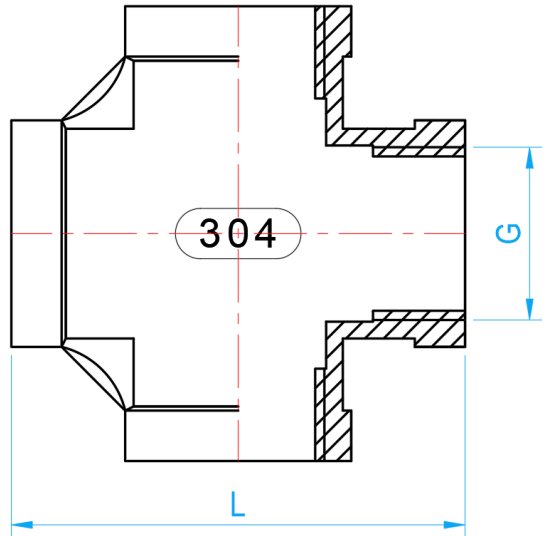
DIMENSIONS

STOCK CODE	ZG (inch x mm)	d (mm)	D (mm)	L (mm)	H1 (mm)	H (mm)	WEIGHT (kg)	PCS/CTN
SS304KCN01510	1/2"BSPT x 10	6.5	9.0	15.0	28.0	51.5	0.040	300
SS304KCN015	1/2"BSPT x 15	11.5	14.0	16.0	34.0	57.5	0.040	500
SS304KCN020	3/4"BSPT x 20	15.0	18.8	18.0	38.0	65.0	0.080	300
SS304KCN025	1"BSPT x 25	20.0	24.5	18.5	44.5	75.0	0.120	200
SS304KCN035	1 1/4"BSPT x 35	27.5	32.2	20.5	51.0	84.0	0.205	50
SS304KCN042	1 1/2"BSPT x 42	33.5	38.6	22.0	56.0	90.0	0.260	50
SS304KCN050	2"BSPT x 50	44.8	49.8	26.0	60.0	99.0	0.380	40
SS304KCN065	2 1/2"BSPT x 65	57.0	63.0	29.5	64.0	105.5	0.640	30
SS304KCN080	3"BSPT x 80	69.0	75.0	31.5	69.5	113.5	0.930	22
SS304KCN100	4"BSPT x 100	91.0	97.6	35.0	73.5	123.0	1.465	6

STAINLESS STEEL 304 THREADED FITTINGS

EQUAL CROSS TEE

COMPLY WITH BSEN1254-2:1998
AS/NZS 4020:2018



CROSS SECTIONAL VIEW

DIMENSIONS

SKU	SIZE (inch)	L (mm)	WEIGHT (kg)	PCS/CTN
SS304CT015	½"BSPT	54.2	0.123	150
SS304CT020	¾"BSPT	63.5	0.170	100
SS304CT025	1"BSPT	74.2	0.272	50
SS304CT035	1¼"BSPT	86.0	0.388	48
SS304CT042	1½"BSPT	94.5	0.513	25
SS304CT050	2"BSPT	112.0	0.768	12

Built For Water



Main Office

133 Kitchener Road
Singapore 208517

Mon-Fri: 8:00am - 5:30pm
Sat: 8:00am - 1:00pm
Sun & PH: Closed

North Office

10 Admiralty Street, North
Link Building #02-45
Singapore 757695

Mon-Fri: 8:00am - 5:00pm
Sat: 8:00am - 1:00pm
Sun & PH: Closed