

NORIKA COMPRESSION FITTINGS





TEST CERTIFICATE

POTABLE WATER FITTINGS SCHEME

Certificate Number : TC-J0110
Issue No: 03

This Certificate is awarded to the following product(s) which has / have complied with the requirements of the listed standard(s) in accordance with Stipulation of Standards and Requirements for Water Fittings for Use in Potable Water Service Installations.

Client : **Liang Chew Hardware Pte Ltd**
 133 Kitchener Road
 Singapore 208517

Product : DZR Brass Swivel Ferrule

Brand / Model : Norika / CRSF025

Detail : Size (mm): 25

Test Standard(s) : BS EN 1254-2: 1998, BS EN 12165: 2016,
 AS/NZS 4020: 2018, SS 375: 2015, SS 270:
 2015


Test Report(s) : 2322986-OYC, 2221990-OYC, 2020843/01-CPC,
 2020889-CPC, 21802731-CLC,

A sample of the product submitted was tested and found to comply with the test requirements of the above standard(s).

Date of Original Issue : 04 November 2019

Date of Last Revision : 08 December 2023

Date of Expiry : 03 November 2025


 Head, Certification
Singapore Test Lab Pte Ltd

This Certificate is part of a full report and should be read in conjunction with it. This Certificate remains the property of Singapore Test Lab Pte Ltd and shall be returned upon request. The use of this Certificate is subjected to the Terms and Conditions of Singapore Test Lab Pte Ltd. The manufacturer is solely responsible for the compliance of any product that has the same designation as the product type tested.

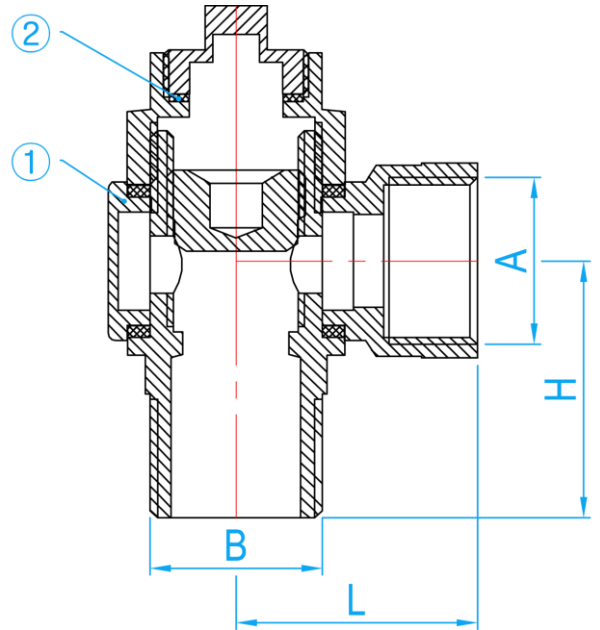


Singapore Test Lab Pte Ltd certifies according to ISO / IEC 17065



DZR BRASS SWIVEL FERRULE

COMPLY WITH BSEN1254-2:1998
 BS EN 12165:2016
 AS/ NZS 4020:2005
 SS 375: 2015
 SS 270: 2015



SECTION VIEW

COMPONENT PARTS

ITEM	PARTS	MATERIAL
1	Body	DZR Brass
2	Gasket	EPDM

DIMENSIONS

SKU	A×B (inch)	L (mm)	H (mm)	WEIGHT (kg)	PCS/CTN
CRSF025	1" BSP × 1" BSPT	47.7	50	0.600	40



TEST CERTIFICATE

POTABLE WATER FITTINGS SCHEME

Certificate Number : TC-J0031
Issue No: 05

This Certificate is awarded to the following product(s) which has / have complied with the requirements of the listed standard(s) in accordance with Stipulation of Standards and Requirements for Water Fittings for Use in Potable Water Service Installations.

Client : **Liang Chew Hardware Pte Ltd**
 133 Kitchener Road
 Singapore 208517

Product : Brass Compression Fittings

Brand / Model : Norika / CxC Fittings

Detail : Nominal sizes (mm): 15 to 50

Test Standard(s) : BS EN 1254-2: 1998, AS/NZS 4020: 2018, BS EN 12165: 2016


Test Report(s) : 2322534/01-OYC, 2322534/02-CPC, 2322534/03-CPC, 2020889-CPC

A sample of the product submitted was tested and found to comply with the test requirements of the above standard(s).

Date of Original Issue : 23 October 2018

Date of Last Revision : 16 September 2024

Date of Expiry : 22 October 2026


 Head, Certification
 Singapore Test Lab Pte Ltd

This Certificate is part of a full report and should be read in conjunction with it. This Certificate remains the property of Singapore Test Lab Pte Ltd and shall be returned upon request. The use of this Certificate is subjected to the Terms and Conditions of Singapore Test Lab Pte Ltd. The manufacturer is solely responsible for the compliance of any product that has the same designation as the product type tested.

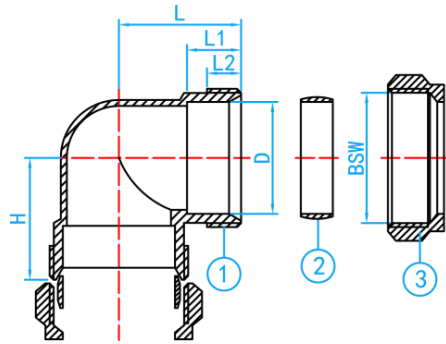


Singapore Test Lab Pte Ltd certifies according to ISO / IEC 17065



COMPRESSION ELBOW

COMPLY WITH BSEN1254-2:1998



SECTION VIEW

COMPONENT PARTS

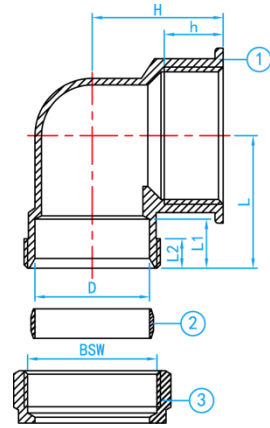
ITEM	PARTS	MATERIAL
1	Body	CR Brass
2	Ring	Brass
3	Nut	Brass

DIMENSIONS

SKU	D (mm)	BSW	H (mm)	L (mm)	L1 (mm)	L2 (mm)	WEIGHT (kg)	PCS/CTN
CRCCE015	15	G1/2"	11	11	20	7.0	0.046	300
CRCCE020	22	1-1/8"	13	13	26.25	7.5	0.120	160
CRCCE025	28	1-3/8"	13.5	13.5	30.5	8.5	0.195	100
CRCCE035	35	1-5/8"	17	17	36	10.0	0.290	50
CRCCE042	42	1-64/67"	19	19	39.5	11.5	0.365	40
CRCCE050	54	2-31/64"	23.5	23.5	50.3	15.0	0.680	20

COMPRESSION FI ELBOW

COMPLY WITH BSEN1254-2:1998



SECTION VIEW

COMPONENT PARTS

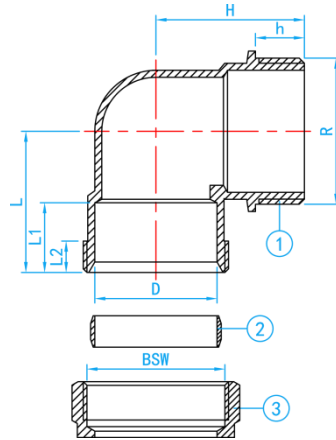
ITEM	PARTS	MATERIAL
1	Body	DZR Brass
2	Ring	Brass
3	Nut	Brass

DIMENSIONS

SKU	D (mm)	BSW	H (mm)	h (mm)	L (mm)	L1 (mm)	L2 (mm)	WEIGHT (kg)	PCS/CTN
CRCFIE015	15	1/2"	21.0	12.0	23.5	11.00	7.5	0.064	350
CRCFIE020	22	1-1/8"	31.6	18.0	29.1	13.00	7.5	0.120	160
CRCFIE025	28	1-3/8"	35.5	16.5	31.5	15.25	8.5	0.180	100
CRCFIE035	35	1-5/8"	45.0	22.8	43.6	17.00	10.0	0.325	80
CRCFIE042	42	1-64/67"	50.0	22.8	44.7	18.00	11.0	0.350	60
CRCFIE050	54	2-31/64"	55.0	25.0	52.0	23.00	13.0	0.650	32

COMPRESSION MI ELBOW

COMPLY WITH BSEN1254-2:1998



SECTION VIEW

COMPONENT PARTS

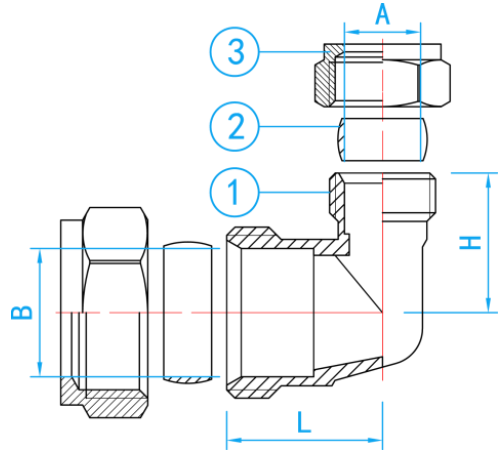
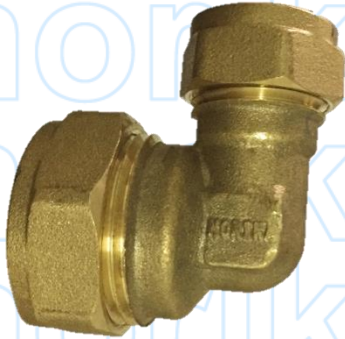
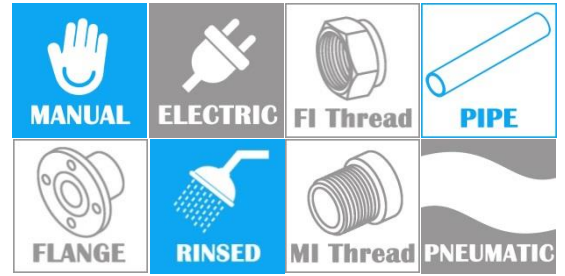
ITEM	PARTS	MATERIAL
1	Body	CR Brass
2	Ring	Brass
3	Nut	Brass

DIMENSIONS

SKU	D (mm)	BSW	R (inch)	H (mm)	h (mm)	L (mm)	L1 (mm)	L2 (mm)	WEIGHT (kg)	PCS/CTN
CRCMIE015	15	G1/2"	1/2"BSPT	25	10.5	23	10	6.5	0.480	360
CRCMIE020	22	1-1/8"	3/4"BSPT	34.6	14	27.6	13	7.5	0.110	160
CRCMIE025	28	1-3/8"	1"BSPT	41.5	16	32.5	17	8.5	0.180	100
CRCMIE035	35	1-5/8"	1-1/4"BSPT	38	11.4	36.8	17.1	11.5	0.296	-
CRCMIE042	42	1-64/67"	1-1/2"BSPT	52	16	45.3	22.6	12	0.443	-
CRCMIE050	54	2-31/64"	2"BSPT	59.7	19	55	22.8	14	0.650	-

COMPRESSION [CXC] REDUCING ELBOW

COMPLY WITH BSEN1254-2:1998



SECTION VIEW

COMPONENT PARTS

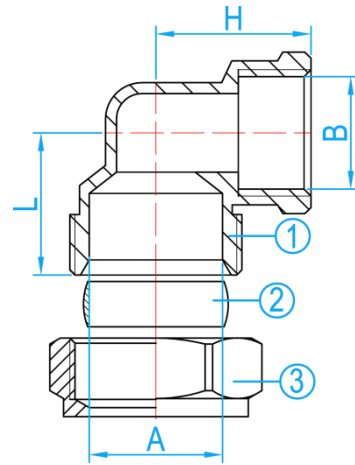
ITEM	PARTS	MATERIAL
1	Body	DZR Brass
2	Ring	Brass
3	Nut	Brass

DIMENSIONS

SKU	A (mm)	B (mm)	H (mm)	L (mm)	WEIGHT (kg)	PCS/CTN
CRCCE01510	10	15	20	21	0.055	300
CRCCE02015	15	22	21	21	0.095	250
CRCCE02515	15	28	34.5	28.25	0.145	160

COMPRESSION REDUCING [CXFI] ELBOW

COMPLY WITH BSEN1254-2:1998



SECTION VIEW

COMPONENT PARTS

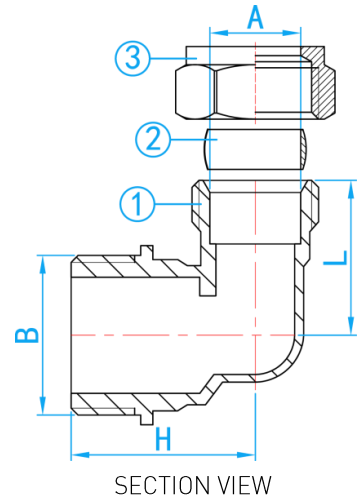
ITEM	PARTS	MATERIAL
1	Body	CR Brass
2	Ring	Brass
3	Nut	Brass

DIMENSIONS

SKU	A×B (mm x inch)	H (mm)	L (mm)	WEIGHT (kg)	PCS/CTN
CRCFIE02015	22×1/2" BSP	25.6	31.8	0.095	150

COMPRESSION REDUCING [CXMI] ELBOW

COMPLY WITH BSEN1254-2:1998



COMPONENT PARTS

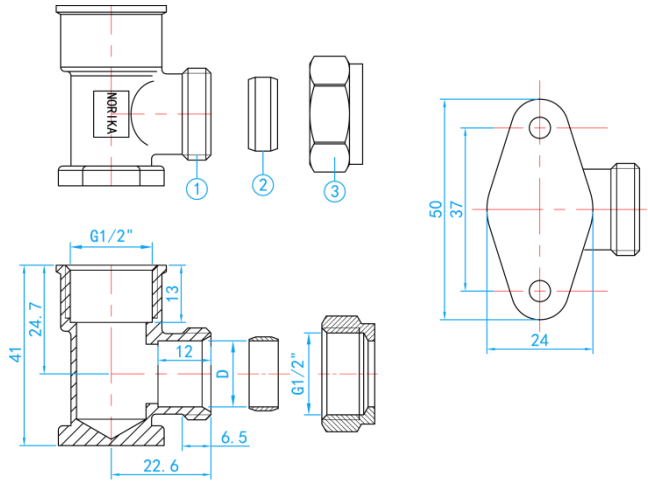
ITEM	PARTS	MATERIAL
1	Body	CR Brass
2	Ring	Brass
3	Nut	Brass

DIMENSIONS

SKU	A×B (mm x inch)	H (mm)	L (mm)	WEIGHT (kg)	PCS/CTN
CRCMIE01520	15×3/4" BSPT	30.4	25.6	0.088	200
CRCMIE02015	22×1/2" BSPT	30.7	23.8	0.088	200

COMPRESSION FI WALLPLATE ELBOW

COMPLY WITH BSEN1254-2:1998



COMPONENT PARTS

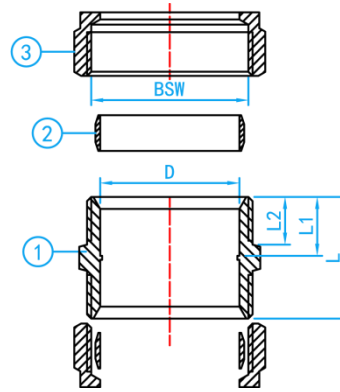
ITEM	PARTS	MATERIAL
1	Body	CR Brass
2	Ring	Brass
3	Nut	Brass

DIMENSIONS

SKU	D (mm)	WEIGHT (kg)	PCS/CTN
CRFE015	15	0.092	200

COMPRESSION COUPLER

COMPLY WITH BSEN1254-2:1998



SECTION VIEW

COMPONENT PARTS

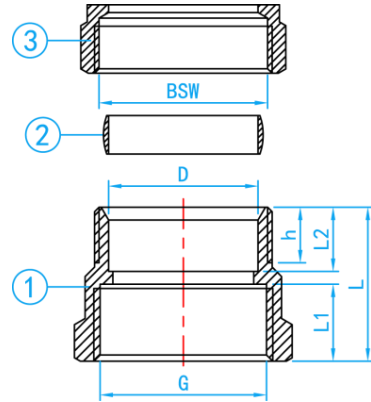
ITEM	PARTS	MATERIAL
1	Body	CR Brass
2	Ring	Brass
3	Nut	Brass

DIMENSIONS

SKU	D (mm)	BSW	L (mm)	L1 (mm)	L2 (mm)	WEIGHT (kg)	PCS/CTN
CRCCU015	15	G1/2"	22.5	10	8.5	0.062	300
CRCCU020	22	1-1/8"	26.5	12	10	0.106	200
CRCCU025	28	1-3/8"	31	14.5	12	0.170	120
CRCCU035	35	1-5/8"	30.6	14.8	12	0.220	80
CRCCU042	42	1-64/67"	37.2	18	14.8	0.320	50
CRCCU050	54	2-31/64"	38.5	18.5	15	0.550	30

COMPRESSION FI COUPLER

COMPLY WITH BSEN1254-2:1998



SECTION VIEW

COMPONENT PARTS

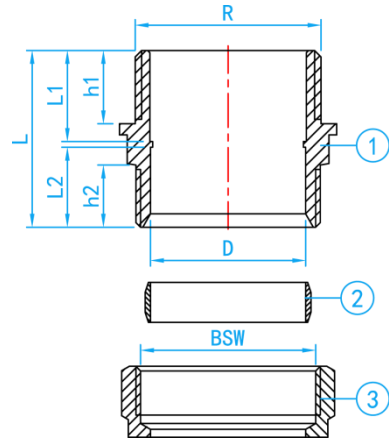
ITEM	PARTS	MATERIAL
1	Body	CR Brass
2	Ring	Brass
3	Nut	Brass

DIMENSIONS

SKU	D (mm)	BSW	G (inch)	h (mm)	L (mm)	L1 (mm)	L2 (mm)	WEIGHT (kg)	PCS/CTN
CRCFIU015	15	G1/2"	G1/2"	10	26	12.5	11	0.049	350
CRCFIU020	22	1-1/8"	G3/4"	11	26.5	14	11	0.077	250
CRCFIU025	28	1-3/8"	G1"	12	30	15	13	0.130	200
CRCFIU035	35	1-5/8"	G1 1/4"	14	36	18	15	0.215	80
CRCFIU042	42	1-64/67"	G1 1/2"	18	45	22	18	0.320	80
CRCFIU050	54	2-31/64"	G2"	18	44	23	19	0.470	60

COMPRESSION MI COUPLER

COMPLY WITH BSEN1254-2:1998



SECTION VIEW

COMPONENT PARTS

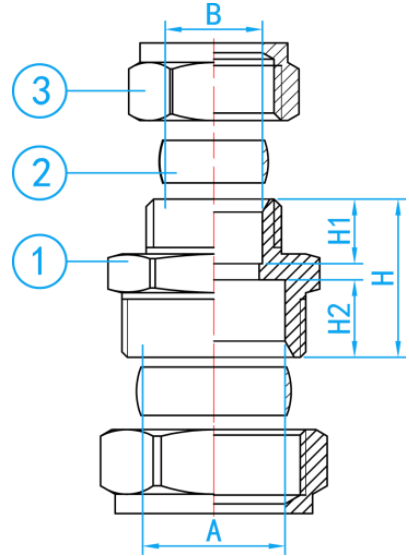
ITEM	PARTS	MATERIAL
1	Body	CR Brass
2	Ring	Brass
3	Nut	Brass

DIMENSIONS

SKU	D (mm)	BSW	R (inch)	h1 (mm)	h2 (mm)	L (mm)	L1 (mm)	L2 (mm)	WEIGHT (kg)	PCS/CTN
CRCMIU015	15	G1/2"	1/2"BSPT	12	9	26.5	14.3	10	0.050	360
CRCMIU020	22	1-1/8"	3/4"BSPT	13	10	29	14	15	0.086	200
CRCMIU025	28	1-3/8"	1"BSPT	16	11.5	35	17	18	0.135	160
CRCMIU035	35	1-5/8"	1-1/4"BSPT	16.5	14	39.8	20.5	18	0.190	100
CRCMIU042	42	1-64/67"	1-1/2"BSPT	17	15.8	41.3	21.3	20	0.270	80
CRCMIU050	54	2-31/64"	2"BSPT	19	16	45	20.5	24.5	0.430	40

COMPRESSION REDUCING COUPLER

COMPLY WITH BSEN1254-2:1998



SECTION VIEW

COMPONENT PARTS

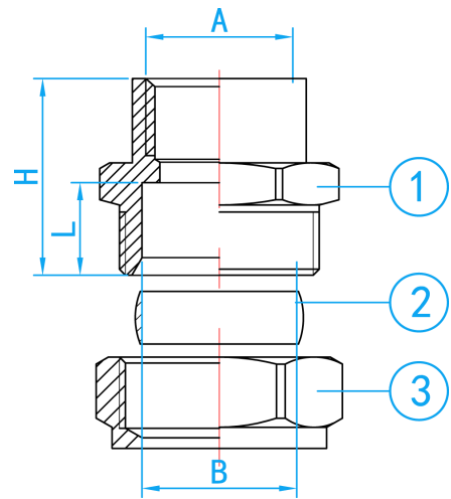
ITEM	PARTS	MATERIAL
1	Body	DZR Brass
2	Ring	Brass
3	Nut	Brass

DIMENSIONS

SKU	A (mm)	B (mm)	H (mm)	H1 (mm)	H2 (mm)	WEIGHT (kg)	PCS/CTN
CRCCU01510	15	10	23.5	8.5	9.5	0.057	300
CRCCU01512	15	12	26.0	10.0	12.0	0.057	300
CRCCU02015	22	15	27.6	12.3	13.6	0.095	250
CRCCU02515	28	15	30.0	12.1	16.3	0.146	200
CRCCU02520	28	22	31.6	13.0	16.0	0.150	150
CRCCU03525	35	28	32.0	14.5	15.2	0.230	80

COMPRESSION [CXFI] REDUCING COUPLER

COMPLY WITH BSEN1254-2:1998



SECTION VIEW

COMPONENT PARTS

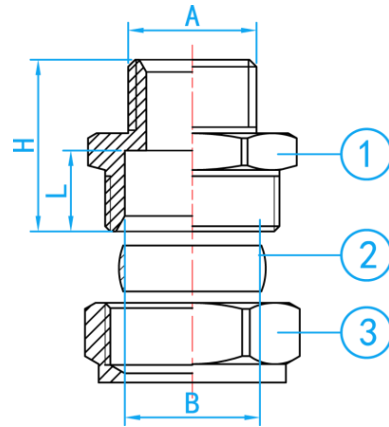
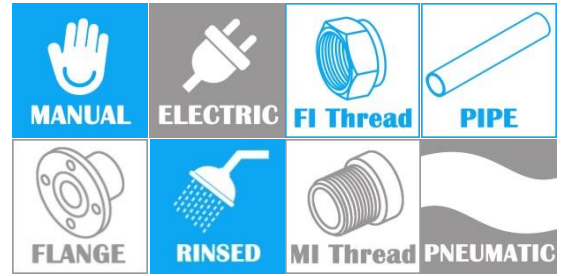
ITEM	PARTS	MATERIAL
1	Body	CR Brass
2	Ring	Brass
3	Nut	Brass

DIMENSIONS

SKU	A (inch)	B (mm)	L (mm)	H (mm)	WEIGHT (kg)	PCS/CTN
CRCFIU02015	1/2" BSP	22	13.0	27.6	0.070	300

COMPRESSION [CXMI] REDUCING COUPLER

COMPLY WITH BSEN1254-2:1998



SECTION VIEW

COMPONENT PARTS

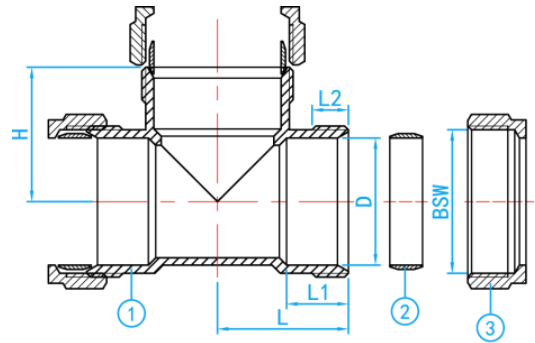
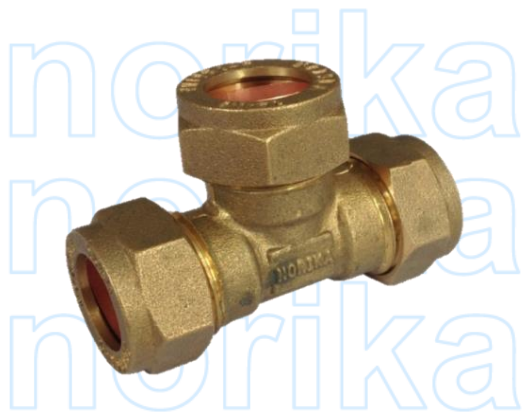
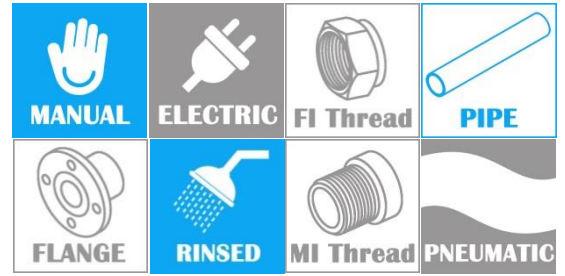
ITEM	PARTS	MATERIAL
1	Body	DZR Brass
2	Ring	Brass
3	Nut	Brass

DIMENSIONS

SKU	A (inch)	B (mm)	L (mm)	H (mm)	WEIGHT (kg)	PCS/CTN
CRCMIU01520	3/4"BSPT	15	12.3	27.7	0.060	300
CRCMIU02015	1/2"BSPT	22	14.0	27.5	0.075	300
CRCMIU02515	1/2"BSPT	28	15.5	34.0	0.150	-
CRCMIU03515	1/2"BSPT	35	15.5	35.1	0.195	100
CRCMIU03525	1"BSPT	35	16.2	36.0	0.190	100
CRCMIU04215	1/2"BSPT	42	20.3	37.6	0.260	80
CRCMIU05015	1/2"BSPT	54	21.5	39.0	0.435	50

COMPRESSION TEE

COMPLY WITH BSEN1254-2:1998



SECTION VIEW

COMPONENT PARTS

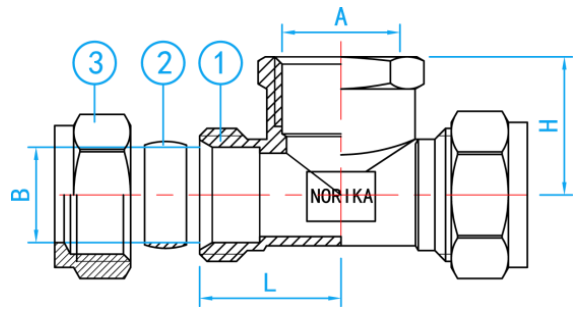
ITEM	PARTS	MATERIAL
1	Body	CR Brass
2	Ring	Brass
3	Nut	Brass

DIMENSIONS

SKU	D (mm)	BSW	H (mm)	L (mm)	L1 (mm)	L2 (mm)	WEIGHT (kg)	PCS/CTN
CRCCT015	15	G1/2"	21.5	21.5	12	7.5	0.087	200
CRCCT020	22	1-1/8"	26	24.45	13	7.8	0.089	120
CRCCT025	28	1-3/8"	30	30	14.5	9.0	0.280	60
CRCCT035	35	1-5/8"	37	36	17	10	0.400	40
CRCCT042	42	1-64/67"	40.5	39	18	11.5	0.540	30
CRCCT050	54	2-31/64"	47.7	47	21.8	12.5	0.890	15

COMPRESSION [CXCXFI] TEE

COMPLY WITH BSEN1254-2:1998



SECTION VIEW

COMPONENT PARTS

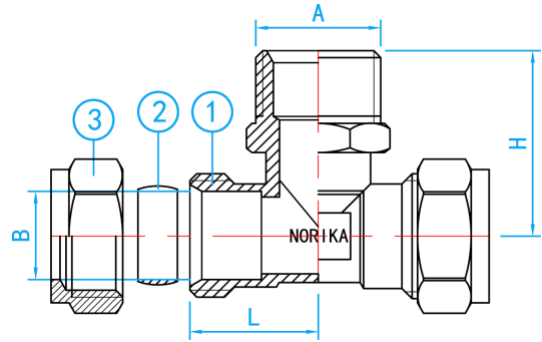
ITEM	PARTS	MATERIAL
1	Body	CR Brass
2	Ring	Brass
3	Nut	Brass

DIMENSIONS

SKU	A (inch)	B (mm)	H (mm)	L (mm)	WEIGHT (kg)	PCS/CTN
CRCFIT015	G 1/2"	15	24	24	0.095	200

COMPRESSION [CXCXMI] TEE

COMPLY WITH BSEN1254-2:1998



SECTION VIEW

COMPONENT PARTS

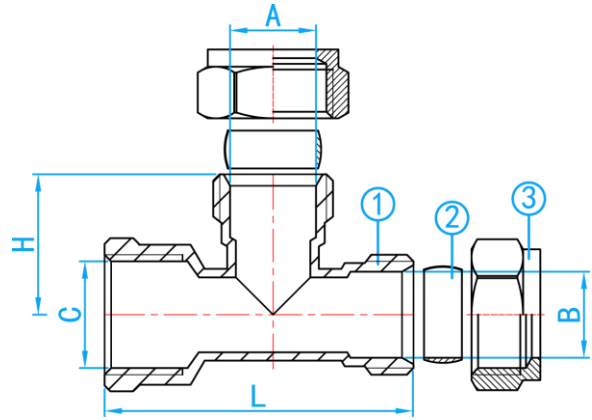
ITEM	PARTS	MATERIAL
1	Body	CR Brass
2	Ring	Brass
3	Nut	Brass

DIMENSIONS

SKU	A (inch)	B (mm)	H (mm)	L (mm)	WEIGHT (kg)	PCS/CTN
CRCMIT015	R 1/2"	15	26	24	0.100	250

COMPRESSION [CXFIXC] TEE

COMPLY WITH BSEN1254-2:1998



SECTION VIEW

COMPONENT PARTS

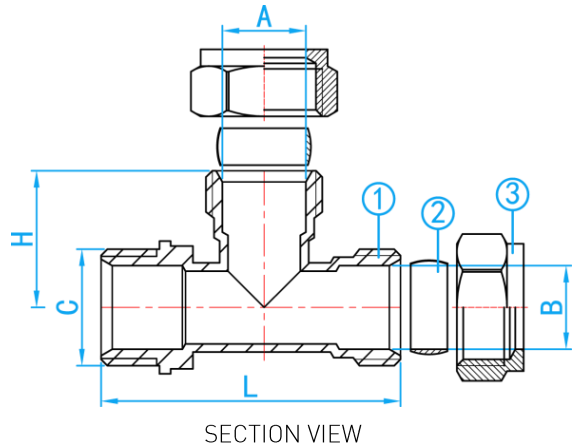
ITEM	PARTS	MATERIAL
1	Body	CR Brass
2	Ring	Brass
3	Nut	Brass

DIMENSIONS

SKU	A×B×C (mm x mm x inch)	H (mm)	L (mm)	WEIGHT (kg)	PCS/CTN
CRCFICT015	15×15×1/2" BSP	24.5	54.8	0.100	150

COMPRESSION [CXMIXC] TEE

COMPLY WITH BSEN1254-2:1998



COMPONENT PARTS

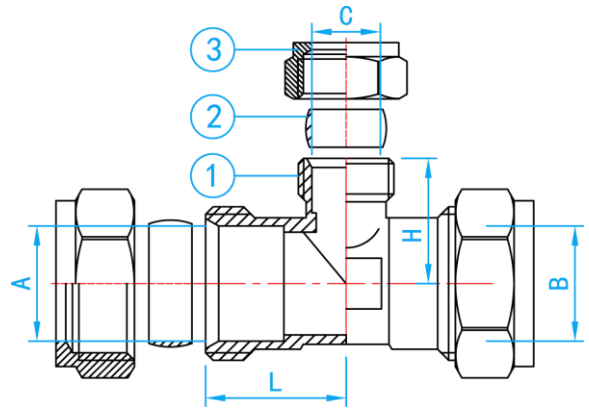
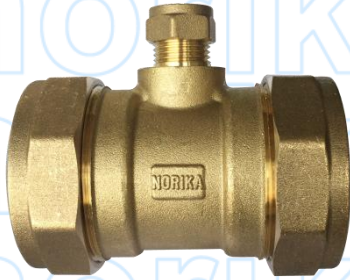
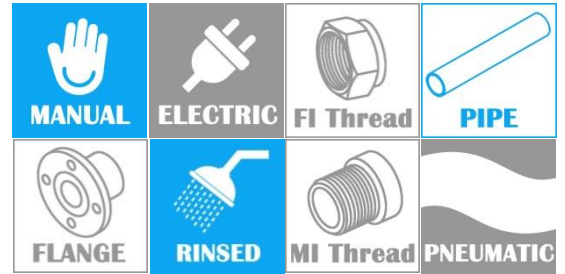
ITEM	PARTS	MATERIAL
1	Body	CR Brass
2	Ring	Brass
3	Nut	Brass

DIMENSIONS

SKU	A×B×C (mm x mm x inch)	H (mm)	L (mm)	WEIGHT (kg)	PCS/CTN
CRCMICT015	15×15×1/2"BSPT	24.5	53.8	0.094	150

COMPRESSION [CXCXC] REDUCING TEE

COMPLY WITH BSEN1254-2:1998



SECTION VIEW

COMPONENT PARTS

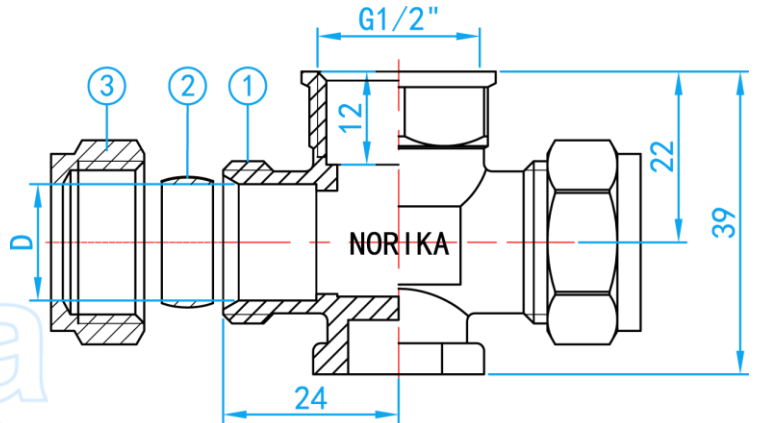
ITEM	PARTS	MATERIAL
1	Body	DZR Brass
2	Ring	Brass
3	Nut	Brass

DIMENSIONS

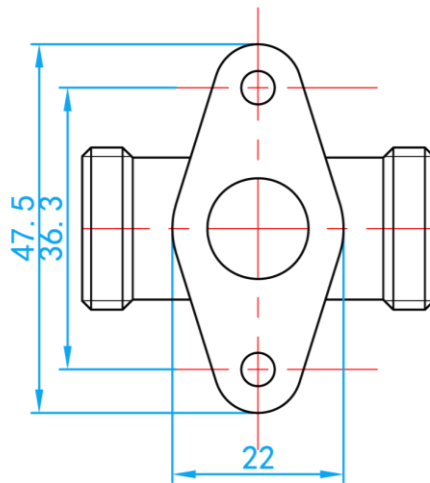
SKU	A X B xC (mm)	H (mm)	L (mm)	WEIGHT (kg)	PCS/CTN
CRCCT0151520	15 x 15 x 22	23.5	25.6	0.123	150
CRCCT0201515	22 x 15 x 15	26.5	26.2	0.125	150
CRCCT0202015	22 x 22 x 15	28.3	25.6	0.150	150
CRCCT0201520	22 x 15 x 22	27.0	26.2	0.146	150
CRCCT0252515	28 x 28 x 15	29.0	25.0	0.215	100
CRCCT0353515	35 x 35 x 15	32.0	29.0	0.310	50
CRCCT0353520	35 x 35 x 22	39.0	35.0	0.370	50
CRCCT0353525	35 x 35 x 28	38.0	36.0	0.390	50
CRCCT0424215	42 x 42 x 15	42.0	38.3	0.445	30
CRCCT0424220	42 x 42 x 22	42.0	38.3	0.450	30
CRCCT0505015	54 x 54 x 15	52.0	39.6	0.775	15
CRCCT0505025	54 x 54 x 28	52.5	39.6	0.775	15

COMPRESSION [CXFI WALLPLATE] TEE

COMPLY WITH BSEN1254-2:1998



SECTION VIEW



SIDE VIEW OF BODY

COMPONENT PARTS

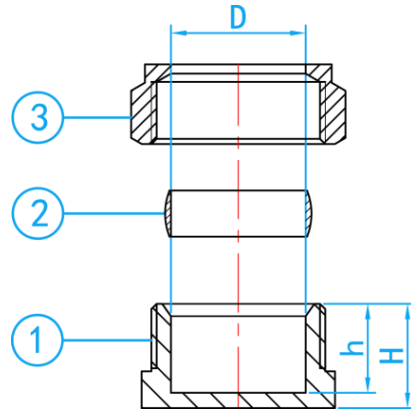
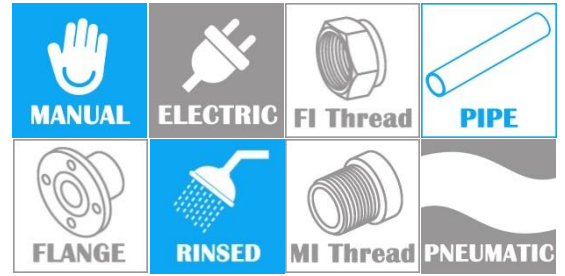
ITEM	PARTS	MATERIAL
1	Body	CR Brass
2	Ring	Brass
3	Nut	Brass

DIMENSIONS

SKU	D (mm)	WEIGHT (kg)	PCS/CTN
CRFT015	15	0.124	150

COMPRESSION STOP END

COMPLY WITH BSEN1254-2:1998



SECTION VIEW

COMPONENT PARTS

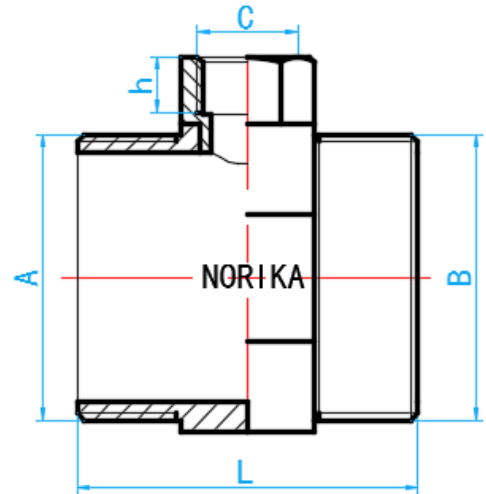
ITEM	PARTS	MATERIAL
1	Body	CR Brass
2	Ring	Brass
3	Nut	Brass

DIMENSIONS

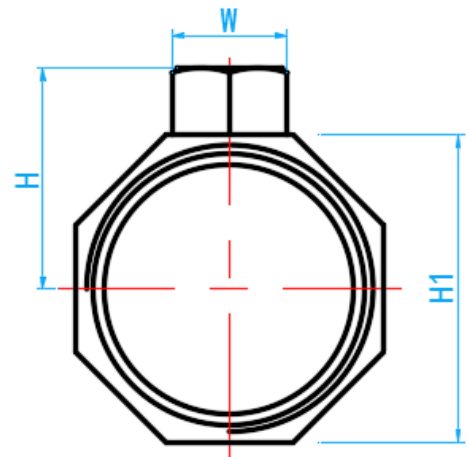
SKU	D (mm)	H (mm)	h (mm)	WEIGHT (kg)	PCS/CTN
CRSE015	15	14.3	10	0.050	500
CRSE020	22	14.0	15	0.086	300
CRSE025	28	17.0	18	0.135	150
CRSE035	35	20.5	18	0.190	100
CRSE042	42	21.3	20	0.270	80
CRSE050	54	20.5	24.5	0.430	40

EQUAL NIPPLE FI TEE

COMPLY WITH BSEN1254-2: 1998



CROSS SECTIONAL VIEW



SIDE VIEW

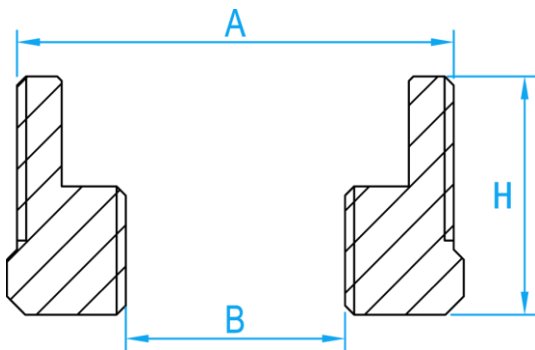
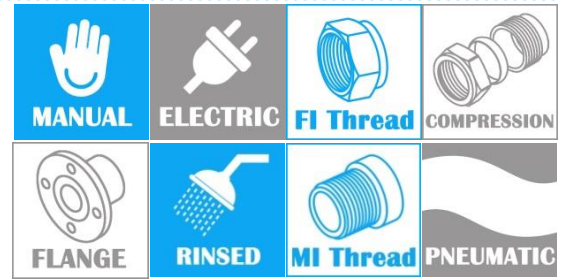
COMPONENTS PARTS

PARTS	MATERIAL
EQUAL SOCKET	DZR BRASS

DIMENSIONS

SKU	AxBxC (inch)	h (mm)	L (mm)	W (mm)	H (mm)	H1 (mm)	WEIGHT (Kg)	PCS/CTN
CRENFIT0505015	2"BSPT×2"BSPT ×1/2"BSP	12	71	24	46	64	0.4952	36

[MIXFI] BRASS BUSH



CROSS SECTIONAL VIEW

COMPONENT PARTS

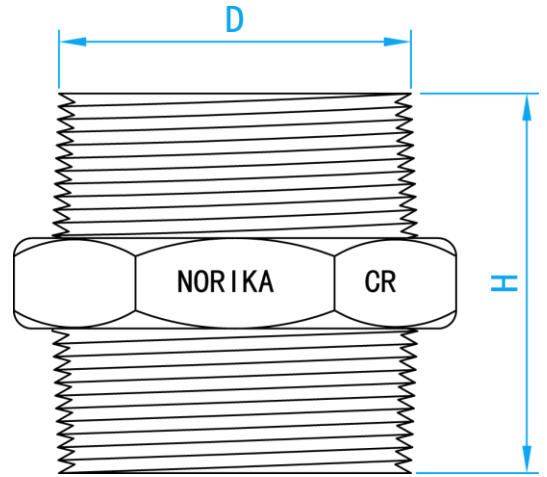
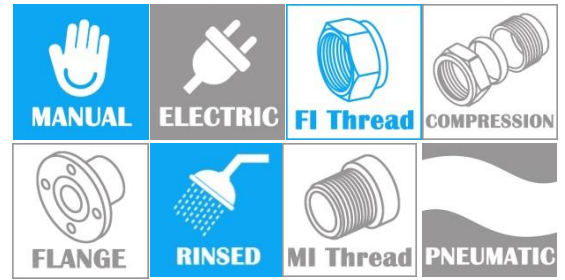
PARTS	MATERIAL
Bush	DZR Brass

DIMENSIONS

SKU	A (inch)	B (inch)	H (mm)	WEIGHT (kg)
CRRB01508	½"BSPT	1/8" BSP	15	0.030
CRRB01510	½"BSPT	¼" BSP	15	0.025
CRRB01513	½"BSPT	3/8" BSP	17	0.017
CRRB02015	¾"BSPT	½" BSP	15.5	0.025
CRRB02515	1"BSPT	½" BSP	23.5	0.075
CRRB02520	1"BSPT	¾" BSP	26.5	0.075
CRRB03515	1¼"BSPT	½" BSP	22	0.140
CRRB03520	1¼"BSPT	¾" BSP	20.5	0.100
CRRB03525	1¼"BSPT	1" BSP	22	0.090
CRRB04215	1½"BSPT	½" BSP	26.3	0.220
CRRB04220	1½"BSPT	¾" BSP	26.3	0.210
CRRB04225	1½"BSPT	1" BSP	26.3	0.170
CRRB04235	1½"BSPT	1¼" BSP	26	0.110
CRRB05015	2"BSPT	½" BSP	27.5	0.400
CRRB05020	2"BSPT	¾" BSP	27.5	0.390
CRRB05025	2"BSPT	1" BSP	26.6	0.300
CRRB05035	2"BSPT	1¼" BSP	28.0	0.300
CRRB05042	2"BSPT	1½" BSP	28.2	0.220
CRRB06515	2½"BSPT	½" BSP	40	0.785
CRRB06520	2½"BSPT	¾" BSP	39.3	0.740
CRRB06525	2½"BSPT	1" BSP	39.3	0.685
CRRB06535	2½"BSPT	1¼" BSP	39.5	0.680
CRRB06542	2½"BSPT	1½" BSP	40.2	0.645
CRRB06550	2½"BSPT	2" BSP	39.5	0.550

MI x MI BRASS NIPPLE

COMPLY WITH BSEN12165:1998



FRONT VIEW

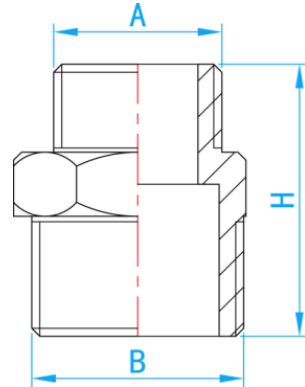
COMPONENT PARTS

PARTS	MATERIAL
Nipple	DZR Brass

DIMENSIONS

SKU	SIZE (mm)	D (inch)	H (mm)	WEIGHT (kg)	PCS/CTN
CREN015	15	½"BSPT	31.5	0.037	500
CREN020	20	¾"BSPT	36	0.060	300
CREN025	25	1"BSPT	38	0.104	150
CREN035	35	1¼"BSPT	44	0.200	100
CREN042	42	1½"BSPT	44	0.233	80
CREN050	50	2"BSPT	52.5	0.316	48
CREN065	65	2½"BSPT	74	0.720	20
CREN080	80	3"BSPT	78	1.030	18
CREN100	100	4"BSPT	89	1.650	4

BRASS REDUCING NIPPLE



CROSS SECTIONAL VIEW

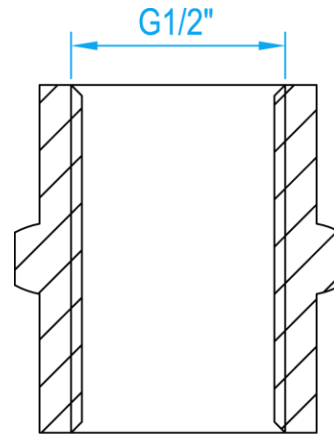
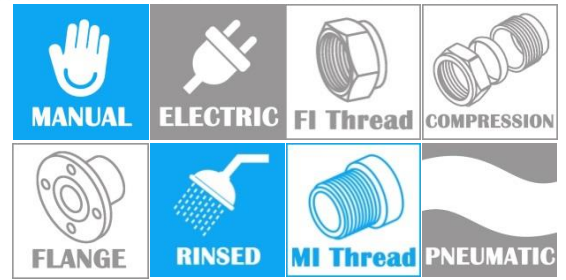
COMPONENTS PARTS

PARTS	MATERIAL
Nipple	DZR Brass

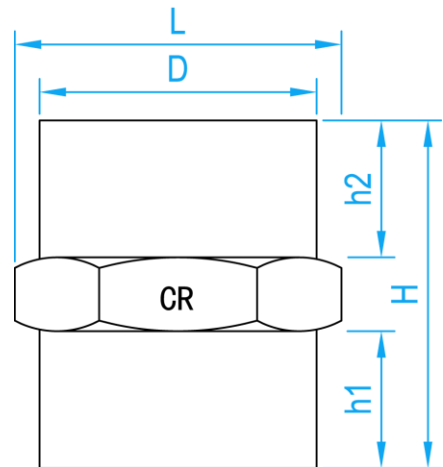
DIMENSIONS

SKU	SIZE (mm)	H (mm)	A (mm)	B (mm)	WEIGHT (Kg)	PCS/CTN
CRRN01506	15 x 06	29.0	1/4"BSPT	1/2"BSPT	0.030	500
CRRN01510	15 x 10	29.0	3/8"BSPT	1/2"BSPT	0.035	500
CRRN02015	22 x 15	31.4	1/2"BSPT	3/4"BSPT	0.051	200

BRASS CR [FIXFI] EQUAL SOCKET



CROSS SECTIONAL VIEW



SIDE VIEW

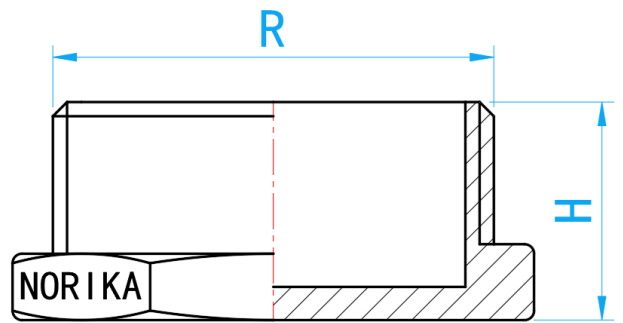
COMPONENTS PARTS

PARTS	MATERIAL
EQUAL SOCKET	DZR Brass

DIMENSIONS

SKU	L [mm]	h1 [mm]	h2 [mm]	H [mm]	D [mm]	WEIGHT [Kg]	PCS/CTN
CRES015	30.8	13	13	33	26	0.056	300
CRES015L	30.8	18	18	45	26	0.087	250

DZR BRASS SCREW PLUG



CROSS SECTIONAL VIEW

COMPONENT PARTS

PARTS	MATERIAL
Screw Plug	DZR Brass

DIMENSIONS

SKU	R (inch)	H (mm)	WEIGHT (kg)	PCS/CTN
CRSP015	1/2" BSP	19	0.031	600
CRSP020	3/4" BSP	20	0.045	500
CRSP025	1" BSP	21	0.083	250
CRSP035	1 1/4" BSP	23	0.128	200
CRSP042	1 1/2" BSP	24	0.170	100
CRSP050	2" BSP	28	0.244	70

Built For Water



Main Office

133 Kitchener Road
Singapore 208517

Mon-Fri: 8:00am - 5:30pm
Sat: 8:00am - 1:00pm
Sun & PH: Closed

North Office

10 Admiralty Street, North
Link Building #02-45
Singapore 757695

Mon-Fri: 8:00am - 5:00pm
Sat: 8:00am - 1:00pm
Sun & PH: Closed