

NORIKA PEX F6 MULTILAYER PIPES AND FITTINGS



Scan for
installation video:





SINGAPORE GREEN BUILDING PRODUCT CERTIFICATE

AWARDED TO

Liang Chew Hardware Pte Ltd

133 Kitchener Road
Singapore 208517

FOR THE PRODUCT

Pipe & Fittings - Potable Water

PRODUCT BRAND

Norika

PRODUCT MODEL

Refer to Appendix

THE PRODUCT HAS BEEN ASSESSED ACCORDING
TO THE ASSESSMENT CRITERIA OF SINGAPORE
GREEN BUILDING PRODUCT CERTIFICATION SCHEME.
IT HAS BEEN AWARDED THE RATING:

Director
SGBC Pte Ltd



Certificate Number	Original Issue Date	Revised Date	Valid Till
SGBP 4219	07 December 2023	-	06 December 2025

✓Good ✓✓Very Good ✓✓✓Excellent ✓✓✓✓Leader

The use and reliance on this certificate is subject to the terms and conditions of the Singapore Green Building Product Certification Scheme. Revised certificates may also be issued at the discretion of the Council. The certification status may be verified at the Singapore Green Building Council website (www.sgbc.sg).





SINGAPORE GREEN BUILDING PRODUCT CERTIFICATE

Appendix

Certificate Number: SGBP 4219

Models

[PIPES] - PIPPEX: [16mm, 20mm, 25mm, 32mm, 40mm, 50mm, 63mm and 75mm],[Fittings, Push-Fit] - (16mm, 20mm, 25mm and 32mm)(PEXF6EC || PEXF6E90 || PEXF6ET || PEXF6ES || PEXF6MIA || PEXF6FIA || PEXF6MIE || PEXF6FIE || PEXF6FE || PEXF6MIT || PEXF6FIT || PEXF6RT) // (20mm, 25mm and 32mm) (PEXF6RS || PEXF6RE90) // (16mm, 20mm, and 25mm) (PEXF6BV) // (16mm and 20mm) (PEXF6FE) ,[Fittings] - (16mm, 20mm, 25mm, 32mm, 40mm, 50mm, 63mm and 75mm) (PEXF5ES || PEXF5RS || PEXF5E90 || PEXF5RE90 || PEXF5EC16 || PEXF5ET16 || PEXF5RT || PEXF5MIT || PEXF5FIT || PEXF5MIA || PEXF5FIA) // (16mm, 20mm, 25mm, 32mm, 40mm, 50mm & 63mm) (PEXF5MIE || PEXF5FIE) // (16mm, 20mm, 25mm, 32mm, 40mm and 50mm) (PEXF5FJC) // (16mm, 20mm and 25mm) (PEXF5FE || PEXF5BV) // (16mm and 20mm) (PEXF5FES)





TEST CERTIFICATE

POTABLE WATER FITTINGS SCHEME

Certificate Number : TC-J0244
Issue No: 03

This Certificate is awarded to the following product(s) which has / have complied with the requirements of the listed standard(s) in accordance with Stipulation of Standards and Requirements for Water Fittings for Use in Potable Water Service Installations.

Client : **Liang Chew Hardware Pte Ltd**
 133 Kitchener Road
 Singapore 208517

Product : Multilayer Pipes & Fittings (Push-fit)

Brand / Model : Norika / PIPPEX & PEXF6

Detail : Sizes (mm): 16, 20, 25 & 32

Test Standard(s) : BS EN ISO 21003-1: 2008, BS EN ISO 21003-2: 2008 + A1: 2011, BS EN ISO 21003-3: 2008, BS EN ISO 21003-5: 2008, AS/NZS 4020: 2005, AS/NZS 4020: 2018, SS 375: 2015, BS EN 12165: 2016


Test Report(s) : 2120978/01-OYC, 2120978/02-OYC, 1820215/01-OYC, 2020852-CPC, 1820215/04-CPC, 2020843/01-CPC, 2020889-CPC, 21802731-CLC

A sample of the product submitted was tested and found to comply with the test requirements of the above standard(s).

Date of Original Issue : 10 March 2021

Date of Last Revision : 07 February 2023

Date of Expiry : 09 March 2025


 Head, Certification
 Singapore Test Lab Pte Ltd

This Certificate is part of a full report and should be read in conjunction with it. This Certificate remains the property of Singapore Test Lab Pte Ltd and shall be returned upon request. The use of this Certificate is subjected to the Terms and Conditions of Singapore Test Lab Pte Ltd. The manufacturer is solely responsible for the compliance of any product that has the same designation as the product type tested.

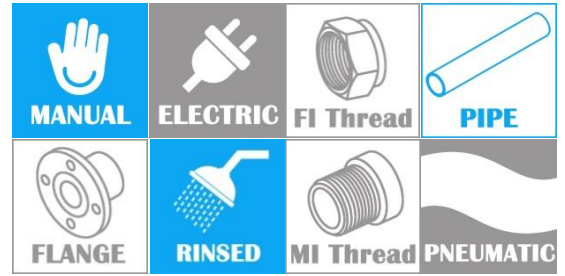


Singapore Test Lab Pte Ltd certifies according to ISO / IEC 17065

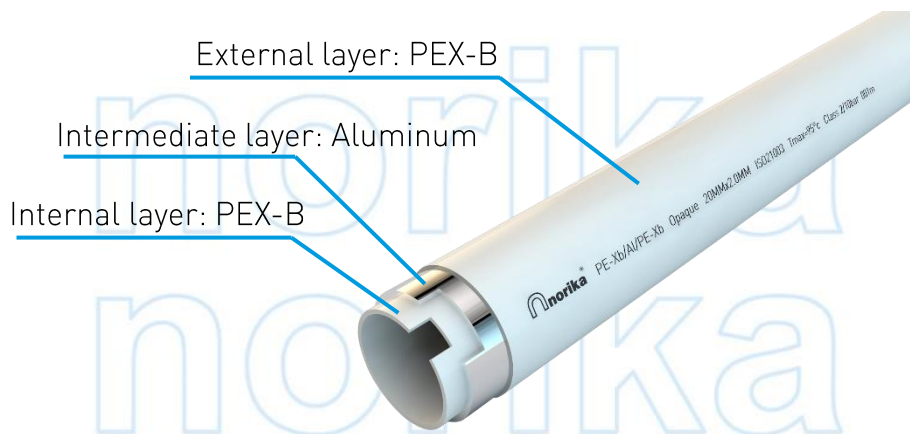


PEX-B/AL/PEX-B THREE LAYER PIPE

COMPLY WITH BS EN ISO 21003-1:2008
 BSEN ISO 21003-2:2008+A1:2011
 AS/NZS 4020:2005
 SS 375:2015



MULTILAYER PIPES

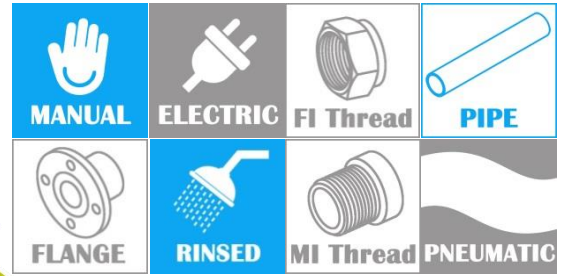


COMPONENTS	
Material Name	Advantages
PEX-B (Cross-linked Polyethylene)	Light weight, corrosion resistance, easy installation, and low cost.
Aluminum	Improves the compressive and impact resistance of pipes, ensuring their stability and effectively isolating them from oxygen penetration. This material is easy to cut, bendable, and non-rebounding.

STANDARD SPECIFICATION	
Working Pressure	10 Bar
Working Temperature	0 ~ 60°C
Applications	Hot and cold potable water system.
**Attention During Installation	Exclusively indoor installation only. (While there is some UV resistance, it may not be sufficient, so it's advisable to add a protective cover for enhanced protection.)

PEX-B/AL/PEX-B THREE LAYER PIPE

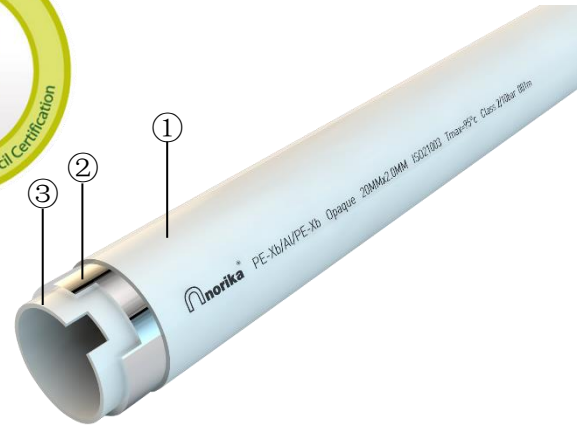
COMPLY WITH BS EN ISO 21003-1:2008
 BSEN ISO 21003-2:2008+A1:2011
 AS/NZS 4020:2005
 SS 375:2015



STRAIGHT TUBE
 SKU: PIPPEXL016~075



COILING TUBE
 SKU: PIPPEX016~032



****Exclusively indoor installation only.**

STANDARD SPECIFICATION	
Working Pressure	10 Bar
Working Temperature	0 ~ 60°C
Applications	Hot and cold potable water system.

COMPONENT PARTS		
ITEM	PARTS	MATERIAL
1	Outside layer	PEX-B
2	Middle layer	Aluminum
3	Inside layer	PEX-B

DIMENSIONS

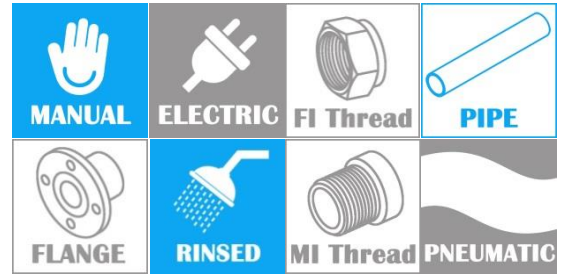
SKU	Outside Diameter (mm)	Inside Diameter (mm)	Thickness (mm)	Tolerance Of Pipe Thickness (mm)	Length (mm)	WEIGHT (kg/m)
PIPPEXL016	16	12	2.0	2.00~2.25	5800	0.121
PIPPEXL020	20	16	2.0	2.00~2.25	5800	0.166
PIPPEXL025	25	20	2.5	2.40~2.70	5800	0.235
PIPPEXL032	32	26	3.0	2.90~3.20	5800	1.040
PIPPEXL040	40	32	4.0	4.00~4.60	5800	0.567
PIPPEXL050	50	41	4.5	4.50~5.20	5800	0.820
PIPPEXL063	63	51	6.0	6.00~6.80	5800	1.334
PIPPEXL075	75	60	7.5	7.50~8.50	5800	1.893

DIMENSIONS

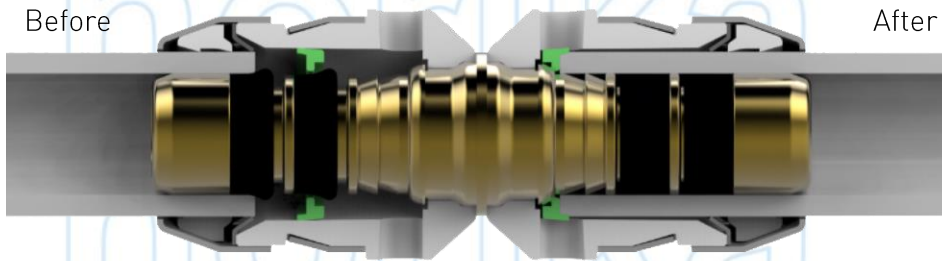
SKU	Outside Diameter (mm)	Inside Diameter (mm)	Thickness (mm)	Tolerance Of Pipe Thickness (mm)	WEIGHT (kg/m)	M/CTN
PIPPEX016	16	12	2.0	2.00~2.25	0.121	200M
PIPPEX020	20	16	2.0	2.00~2.25	0.166	200M
PIPPEX025	25	20	2.5	2.40~2.70	0.235	100M
PIPPEX032	32	26	3.0	2.90~3.20	1.040	50M

PEX MULTI LAYER PIPES AND FITTINGS

COMPLY WITH BS EN ISO 21003-1:2008
 BS EN ISO 21003-3:2008
 BS EN ISO 21003-5:2008
 BS EN 12165:2016
 AS/NZS 4020:2005
 SS 375:2015



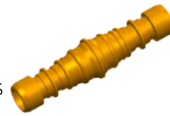
F6 PUSH-FIT



COMPONENTS:

Body

The main body of F6 PUSH-FIT is made out of Brass CW602N material, which greatly improves the corrosion resistance, eliminates processing stress, and ensures no cracking and dimensional stability.



Collet

Using imported PPSU, F6 PUSH-Fit has high strength, heat resistance and stable chemical properties, health and environmental protection. Inspection holes provide visual verification to check whether the tube is fully inserted.



Collet Retainer

High-strength 304 stainless steel performs excellent corrosion resistance and formability. The collet retainer can fix the fittings to prevent them from falling off.



Grab Ring

High-strength 316 stainless steel with good corrosion resistance. The inverted tooth structure can effectively hold the pipe and prevent it from coming out.



Spacer

POM material provides high mechanical strength, fatigue resistance, wear resistance, and impact resistance. It shrinks significantly to tightly grip the pipe, preventing it from falling off and providing a more significant anti-off effect.



Indicator Ring

HDPE offers superior chemical and thermal stability. Its bright color allows for easy visual inspection, ensuring proper depth and connection.



Seal Ring

High-quality EPDM material with excellent weather resistance and corrosion resistance. Double seal to ensure no leakage.



Protection Cap

Safe and environmentally friendly PP material, with strong strength, effectively preventing the entry of impurities and protecting the fitting.



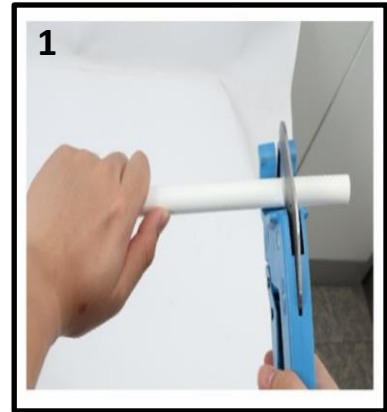
STANDARD SPECIFICATION

Working Pressure	10 Bar
Working Temperature	0 ~ 60°C
Applications	Hot and cold potable water system, Underfloor heating system

INSTALLATION GUIDE:

1. Pipe cutting

Cut the pipe vertically and precisely with a sharp pipe cutter.



2. Rounding and beveling

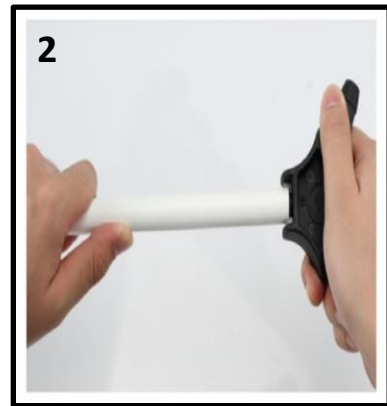
- **Multilayer pipe:**

Round and bevel the end holes with reamer.

- **Pex pipe:**

Round the end holes with reamer, no need to bevel.

If you want to insert quickly and easily, you can bevel the pipe.



3. Removing

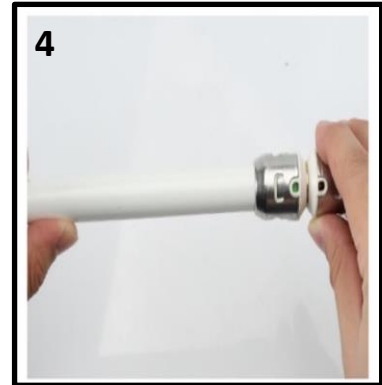
Removing the protective cap from the fitting. Make sure that both the fitting and pipe are clean and free of dirt and debris before making a connection.



INSTALLATION GUIDE:

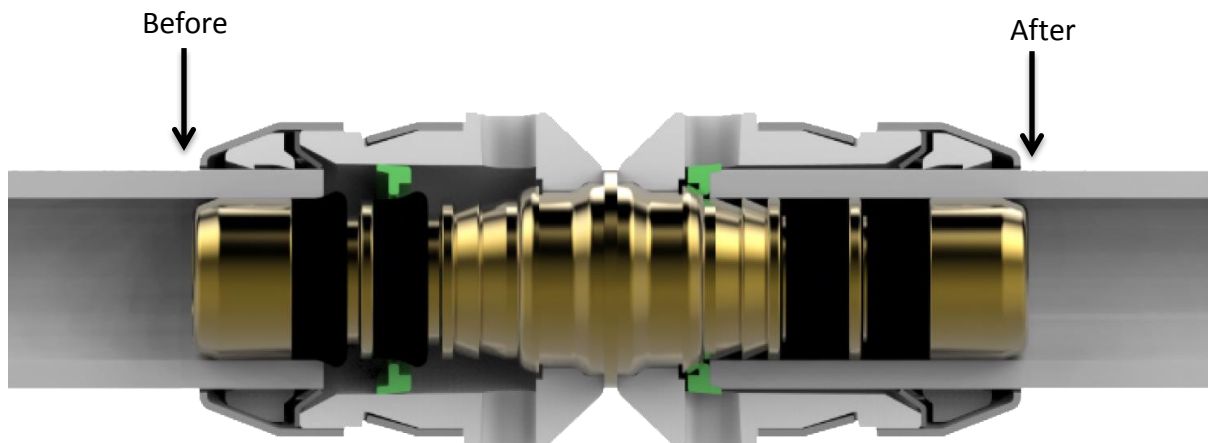
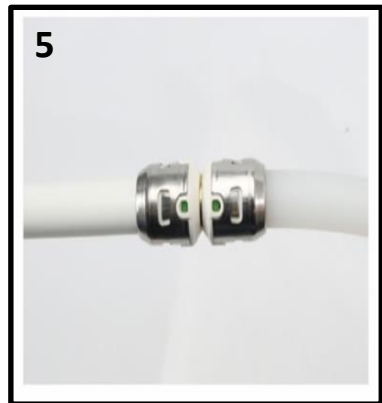
4. Inserting

Choose the right size push-fitting for the pipe, push the pipe into the fitting firmly. Note that the pipe should be inserted in parallel until the green indicator ring is seen. Doesn't require any tools for inserting.



5. Checking

Checking the installed fitting, it is indicating that the fitting is properly installed if the green indicator ring can be seen through the inspection holes. The pipeline can only be installed after hydrostatic test.



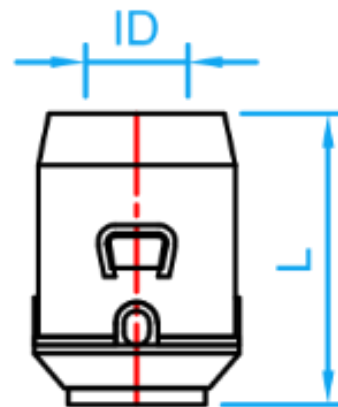
PEX MULTI LAYER PIPES AND FITTINGS



COMPLY WITH BS EN ISO 21003-1:2008
 BS EN ISO 21003-3:2008
 BS EN ISO 21003-5:2008
 BS EN 12165:2016
 AS/NZS 4020:2005
 SS 375:2015



F6 PUSH-FIT PEX END CAP



SIDE VIEW

DIMENSIONS

SKU	SIZE (mm)	ID (mm)	L (mm)	WEIGHT (kg)	PCS/CTN
PEXF6EC016	16	11.80	34.0	0.037	288
PEXF6EC020	20	15.80	35.5	0.054	192
PEXF6EC025	25	19.75	40.5	0.086	128
PEXF6EC032	32	25.75	46.0	0.142	108

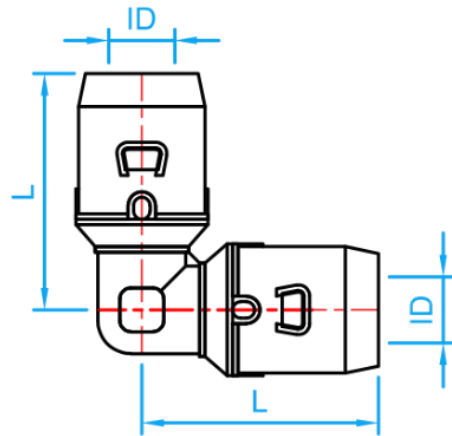
PEX MULTI LAYER PIPES AND FITTINGS



COMPLY WITH BS EN ISO 21003-1:2008
 BS EN ISO 21003-3:2008
 BS EN ISO 21003-5:2008
 BS EN 12165:2016
 AS/NZS 4020:2005
 SS 375:2015



F6 PUSH-FIT PEX EQUAL ELBOW



SIDE VIEW

DIMENSIONS

SKU	SIZE (mm)	ID (mm)	L (mm)	WEIGHT (kg)	PCS/CTN
PEXF6E90016	16	11.80	43	0.079	96
PEXF6E90020	20	15.80	47	0.120	112
PEXF6E90025	25	19.75	53	0.150	80
PEXF6E90032	32	25.75	63	0.312	42

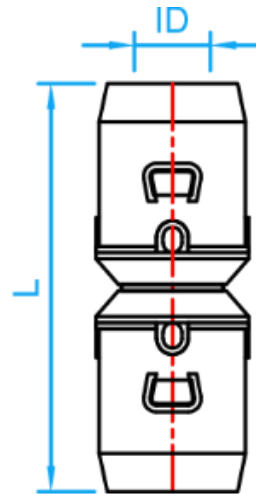
PEX MULTI LAYER PIPES AND FITTINGS



COMPLY WITH BS EN ISO 21003-1:2008
 BS EN ISO 21003-3:2008
 BS EN ISO 21003-5:2008
 BS EN 12165:2016
 AS/NZS 4020:2005
 SS 375:2015



F6 PUSH-FIT PEX EQUAL SOCKET



DIMENSIONS

SKU	SIZE (mm)	ID (mm)	L (mm)	WEIGHT (kg)	PCS/CTN
PEXF6ES016	16	11.80	64.0	0.066	144
PEXF6ES020	20	15.80	67.0	0.096	120
PEXF6ES025	25	19.75	77.5	0.150	96
PEXF6ES032	32	25.75	88.5	0.249	48

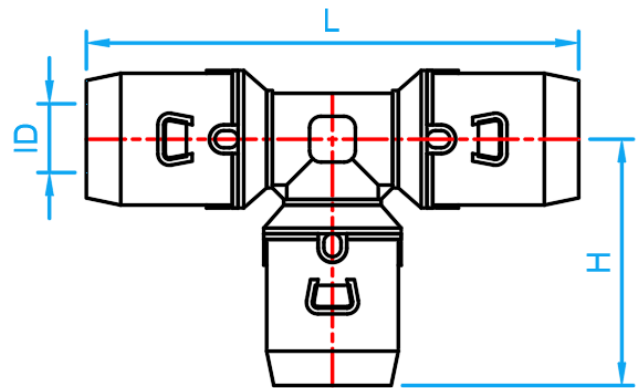
PEX MULTI LAYER PIPES AND FITTINGS



COMPLY WITH BS EN ISO 21003-1:2008
 BS EN ISO 21003-3:2008
 BS EN ISO 21003-5:2008
 BS EN 12165:2016
 AS/NZS 4020:2005
 SS 375:2015



F6 PUSH-FIT PEX EQUAL TEE



SIDE VIEW

DIMENSIONS

SKU	SIZE (mm)	ID (mm)	L (mm)	H (mm)	WEIGHT (kg)	PCS/CTN
PEXF6ET016	16	11.80	86	43	0.117	96
PEXF6ET020	20	15.80	93	47	0.174	72
PEXF6ET025	25	19.75	106	53	0.270	48
PEXF6ET032	32	25.75	125	63	0.451	24

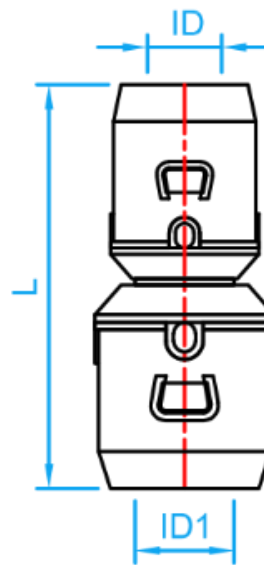
PEX MULTI LAYER PIPES AND FITTINGS



COMPLY WITH BS EN ISO 21003-1:2008
 BS EN ISO 21003-3:2008
 BS EN ISO 21003-5:2008
 BS EN 12165:2016
 AS/NZS 4020:2005
 SS 375:2015



F6 PUSH-FIT PEX REDUCING SOCKET



SIDE VIEW

DIMENSIONS

SKU	SIZE (mm)	ID (mm)	ID1 (mm)	L (mm)	WEIGHT (kg)	PCS/CTN
PEXF6RS02016	20X16	11.80	15.80	65.5	0.082	160
PEXF6RS02516	25X16	11.80	19.75	71.0	0.111	120
PEXF6RS02520	25X20	15.80	19.75	72.5	0.124	120
PEXF6RS03216	32X16	11.80	25.75	76.5	0.168	72
PEXF6RS03220	32X20	15.80	25.75	78.0	0.182	80
PEXF6RS03225	32X25	19.75	25.75	83.0	0.204	60

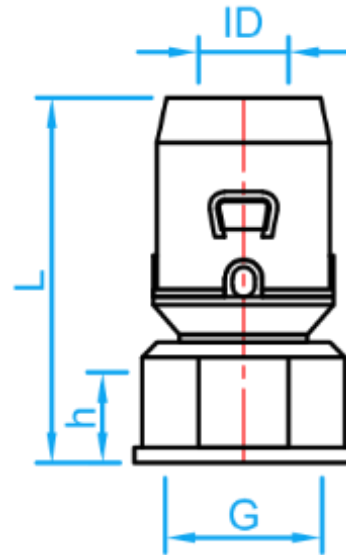
PEX MULTI LAYER PIPES AND FITTINGS



COMPLY WITH BS EN ISO 21003-1:2008
 BS EN ISO 21003-3:2008
 BS EN ISO 21003-5:2008
 BS EN 12165:2016
 AS/NZS 4020:2005
 SS 375:2015



F6 PUSH-FIT PEX FEMALE ADAPTOR



SIDE VIEW

DIMENSIONS

SKU	SIZE (mmxinch)	ID (mm)	G BSP (inch)	h (mm)	L (mm)	WEIGHT (kg)	PCS/CTN
PEXF6FIA01616	16X1/2"	11.80	1/2"	15	48.5	0.068	144
PEXF6FIA01620	16X3/4"	11.80	3/4"	16	49.5	0.085	96
PEXF6FIA02016	20X1/2"	15.80	1/2"	15	50.0	0.081	96
PEXF6FIA02020	20X3/4"	15.80	3/4"	16	51.0	0.097	96
PEXF6FIA02520	25X3/4"	19.75	3/4"	16	56.0	0.119	80
PEXF6FIA02525	25X1"	19.75	1"	18	57.5	0.156	64
PEXF6FIA03220	32X3/4"	25.75	3/4"	16	66.0	-	-
PEXF6FIA03225	32X1"	25.75	1"	18	63.0	0.199	80
PEXF6FIA03232	32X1 1/4"	25.75	1 1/4"	19	65.5	0.234	64

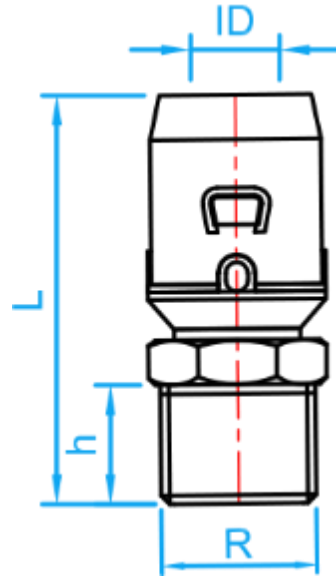
PEX MULTI LAYER PIPES AND FITTINGS



COMPLY WITH BS EN ISO 21003-1:2008
 BS EN ISO 21003-3:2008
 BS EN ISO 21003-5:2008
 BS EN 12165:2016
 AS/NZS 4020:2005
 SS 375:2015



F6 PUSH-FIT PEX MALE ADAPTOR



SIDE VIEW

DIMENSIONS

SKU	SIZE (mmxinch)	ID (mm)	R BSPT (inch)	h (mm)	L (mm)	WEIGHT (kg)	PCS/CTN
PEXF6MIA01616	16X1/2"	11.80	1/2"	14	55.0	0.069	144
PEXF6MIA01620	16X3/4"	11.80	3/4"	15	52.0	0.077	144
PEXF6MIA02016	20X1/2"	15.80	1/2"	14	57.0	0.086	144
PEXF6MIA02020	20X3/4"	15.80	3/4"	15	58.0	0.095	120
PEXF6MIA02516	25X1/2"	19.75	1/2"	14	66.0	0.130	80
PEXF6MIA02520	25X3/4"	19.75	3/4"	15	67.0	0.140	64
PEXF6MIA02525	25X1"	19.75	1"	16	60.0	0.141	64
PEXF6MIA03216	32X1/2"	25.75	1/2"	14	71.5	0.173	80
PEXF6MIA03220	32X3/4"	25.75	3/4"	15	72.5	0.180	80
PEXF6MIA03225	32X1"	25.75	1"	16	73.5	0.204	80
PEXF6MIA03232	32X1 1/4"	25.75	1 1/4"	19	70.0	0.240	72

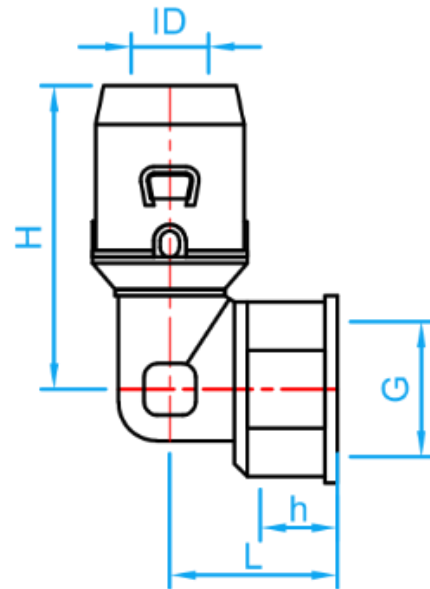
PEX MULTI LAYER PIPES AND FITTINGS



COMPLY WITH BS EN ISO 21003-1:2008
 BS EN ISO 21003-3:2008
 BS EN ISO 21003-5:2008
 BS EN 12165:2016
 AS/NZS 4020:2005
 SS 375:2015



F6 PUSH-FIT PEX FI ELBOW



SIDE VIEW

DIMENSIONS

SKU	SIZE (mmxinch)	ID (mm)	G BSP (inch)	h (mm)	L (mm)	H (mm)	WEIGHT (kg)	PCS/CTN
PEXF6FIE01616	16X1/2"	11.80	1/2"	15	26	47	0.082	96
PEXF6FIE01620	16X3/4"	11.80	3/4"	16	27	50	0.099	112
PEXF6FIE02016	20X1/2"	15.80	1/2"	15	27	49	0.102	80
PEXF6FIE02020	20X3/4"	15.80	3/4"	16	28	51	0.112	80
PEXF6FIE02520	25X3/4"	19.75	3/4"	16	30	56	0.160	72
PEXF6FIE02525	25X1"	19.75	1"	18	32	60	0.195	72
PEXF6FIE03220	32X3/4"	25.75	3/4"	16	33	62	-	-
PEXF6FIE03225	32X1"	25.75	1"	18	34	66	0.251	48
PEXF6FIE03232	32X1 1/4"	25.75	1 1/4"	19	34	71	0.279	40

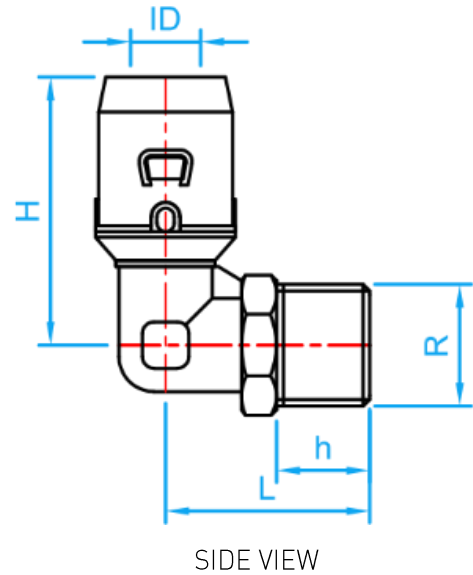
PEX MULTI LAYER PIPES AND FITTINGS



COMPLY WITH BS EN ISO 21003-1:2008
 BS EN ISO 21003-3:2008
 BS EN ISO 21003-5:2008
 AS/NZS 4020:2005
 SS 375:2015



F6 PUSH-FIT PEX MI ELBOW



DIMENSIONS

SKU	SIZE (mmxinch)	ID (mm)	R BSPT (inch)	h (mm)	L (mm)	H (mm)	WEIGHT (kg)	PCS/CTN
PEXF6MIE01616	16X1/2"	11.80	1/2"	14.0	35	46.0	0.074	144
PEXF6MIE01620	16X3/4"	11.80	3/4"	15.0	36	48.5	0.093	96
PEXF6MIE02016	20X1/2"	15.80	1/2"	14.0	37	47.0	0.093	80
PEXF6MIE02020	20X3/4"	15.80	3/4"	15.0	38	50.0	0.112	80
PEXF6MIE02520	25X3/4"	19.75	3/4"	15.0	42	56.0	0.153	96
PEXF6MIE02525	25X1"	19.75	1"	16.0	43	60.0	0.196	80
PEXF6MIE03220	32X3/4"	25.75	3/4"	15.0	45	62.0	-	-
PEXF6MIE03225	32X1"	25.75	1"	16.0	46	65.0	0.252	48
PEXF6MIE03232	32X1 1/4"	25.75	1 1/4"	19.5	45	68.5	0.290	40

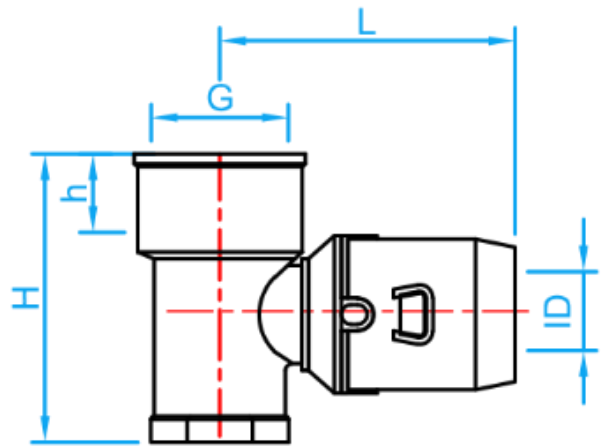
PEX MULTI LAYER PIPES AND FITTINGS



COMPLY WITH BS EN ISO 21003-1:2008
 BS EN ISO 21003-3:2008
 BS EN ISO 21003-5:2008
 AS/NZS 4020:2005
 SS 375:2015



F6 PUSH-FIT PEX FI WALLPLATE ELBOW



SIDE VIEW

DIMENSIONS

SKU	SIZE (mmxinch)	ID (mm)	h (mm)	L (mm)	H (mm)	WEIGHT (kg)	PCS/CTN
PEXF6FE016	16X1/2"	11.80	15	47	43	0.082	144
PEXF6FE02016	20X1/2"	15.80	15	48	43	0.127	120
PEXF6FE020	20X3/4"	15.80	16	51	44	-	-
PEXF6FE02520	25X3/4"	19.75	16	56	48	-	-

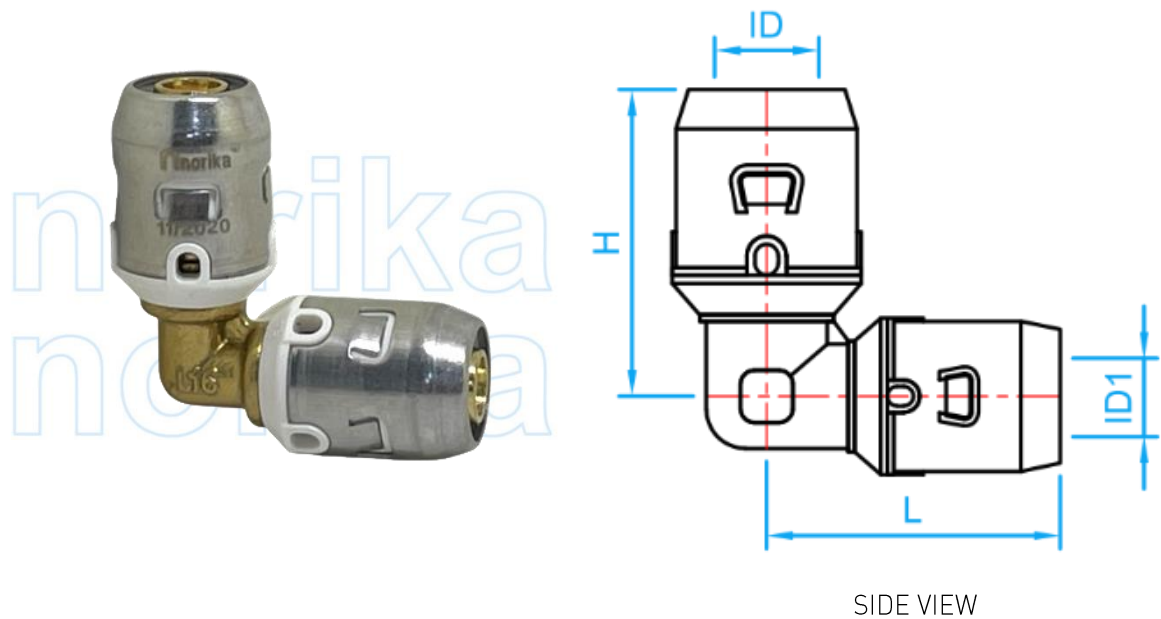
PEX MULTI LAYER PIPES AND FITTINGS



COMPLY WITH BS EN ISO 21003-1:2008
 BS EN ISO 21003-3:2008
 BS EN ISO 21003-5:2008
 BS EN 12165:2016
 AS/NZS 4020:2005
 SS 375:2015



F6 PUSH-FIT PEX REDUCING ELBOW



DIMENSIONS

SKU	SIZE (mm)	ID (mm)	ID1 (mm)	L (mm)	H (mm)	WEIGHT (kg)	PCS/CTN
PEXF6RE9002016	20X16	15.80	11.80	45	47	0.126	128
PEXF6RE9002516	25X16	19.75	11.80	47	53	0.111	100
PEXF6RE9002520	25X20	19.75	15.80	49	53	0.155	84
PEXF6RE9003216	32X16	25.75	11.80	50	60	0.199	72
PEXF6RE9003220	32X20	25.75	15.80	53	60	-	-
PEXF6RE9003225	32X25	25.75	19.75	59	60	-	-

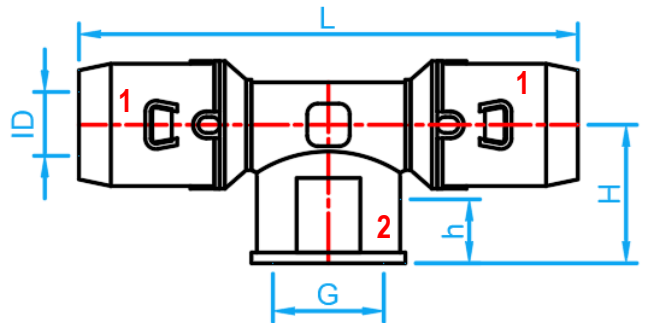
PEX MULTI LAYER PIPES AND FITTINGS



COMPLY WITH BS EN ISO 21003-1:2008
 BS EN ISO 21003-3:2008
 BS EN ISO 21003-5:2008
 BS EN 12165:2016
 AS/NZS 4020:2005
 SS 375:2015



F6 PUSH-FIT PEX FI TEE



SIDE VIEW

DIMENSIONS

SKU	SIZE (mmxinch)	ID (mm)	G BSPT (inch)	h (mm)	L (mm)	H (mm)	WEIGHT (kg)	PCS/CTN
PEXF6FIT01616	16X1/2"	11.80	1/2"	14	94	26	0.118	110
PEXF6FIT01620	16X3/4"	11.80	3/4"	15	99	27	-	-
PEXF6FIT02016	20X1/2"	15.80	1/2"	14	97	27	0.122	90
PEXF6FIT02020	20X3/4"	15.80	3/4"	15	102	28	-	-
PEXF6FIT02516	25X1/2"	19.75	1/2"	14	107	29	-	-
PEXF6FIT02520	25X3/4"	19.75	3/4"	15	112	30	-	-
PEXF6FIT03216	32X1/2"	25.75	1/2"	14	118	32	-	-
PEXF6FIT03220	32X3/4"	25.75	3/4"	15	123	33	-	-
PEXF6FIT03225	32X1"	25.75	1"	16	131	34	-	-

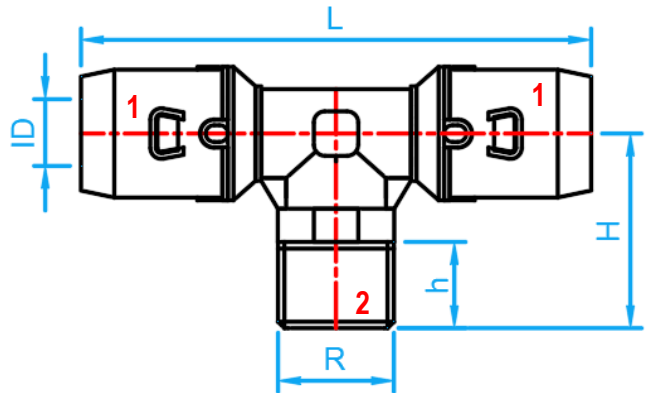
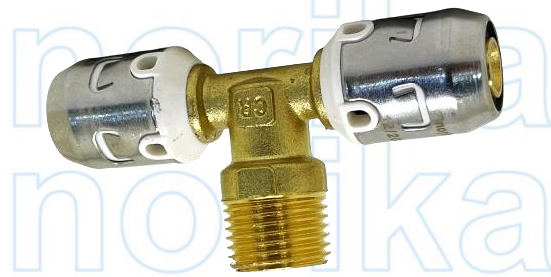
PEX MULTI LAYER PIPES AND FITTINGS



COMPLY WITH BS EN ISO 21003-1:2008
 BS EN ISO 21003-3:2008
 BS EN ISO 21003-5:2008
 BS EN 12165:2016
 AS/NZS 4020:2005
 SS 375:2015



F6 PUSH-FIT PEX MI TEE



SIDE VIEW

DIMENSIONS

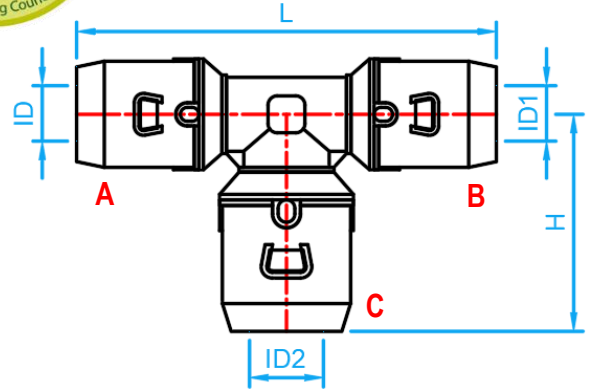
SKU	SIZE (mmxinch)	ID (mm)	R BSPT (inch)	h (mm)	L (mm)	H (mm)	WEIGHT (kg)	PCS/CTN
PEXF6MIT016	16X1/2"	11.80	1/2"	14	92	35	0.115	100
PEXF6MIT01620	16X3/4"	11.80	3/4"	15	97	36	0.140	100
PEXF6MIT02016	20X1/2"	15.80	1/2"	14	94	37	-	-
PEXF6MIT020	20X3/4"	15.80	3/4"	15	100	38	-	-
PEXF6MIT02516	25X1/2"	19.75	1/2"	14	107	41	-	-
PEXF6MIT02520	25X3/4"	19.75	3/4"	15	112	42	0.231	48
PEXF6MIT03220	32X3/4"	25.75	3/4"	15	123	45	-	-
PEXF6MIT03225	32X1"	25.75	1"	16	130	46	-	-

PEX MULTI LAYER PIPES AND FITTINGS

COMPLY WITH BS EN ISO 21003-1:2008
 BS EN ISO 21003-3:2008
 BS EN ISO 21003-5:2008
 BS EN 12165:2016
 AS/NZS 4020:2005
 SS 375:2015



F6 PUSH-FIT PEX REDUCING TEE



SIDE VIEW

DIMENSIONS

SKU (A*B*C)	SIZE (A*C*B)	ID (mm)	ID1 (mm)	ID2 (mm)	L (mm)	H (mm)	WEIGHT (kg)	PCS/CTN
PEXF6RT0161620	16X20X16	11.80	11.80	15.80	91	47	-	-
PEXF6RT0161625	16X25X16	11.80	11.80	19.75	96	53	0.173	60
PEXF6RT0201616	20X16X16	15.80	11.80	11.80	88	45	0.138	72
PEXF6RT0201620	20X20X16	15.80	11.80	15.80	92	47	0.157	72
PEXF6RT0202016	20X16X20	15.80	15.80	11.80	93	47	0.156	72
PEXF6RT0201625	20X25X16	15.80	11.80	19.75	98	53	-	-
PEXF6RT0202025	20X25X20	15.80	15.80	19.75	99	53	-	-
PEXF6RT0202032	20X32X20	15.80	15.80	25.75	106	60	-	-
PEXF6RT0251616	25X16X16	19.75	11.80	11.80	93	47	-	-
PEXF6RT0252016	25X16X20	19.75	15.80	11.80	95	47	-	-
PEXF6RT0252516	25X16X25	19.75	19.75	11.80	100	47	0.215	60
PEXF6RT0251620	25X20X16	19.75	11.80	15.80	97	49	-	-
PEXF6RT0252020	25X20X20	19.75	15.80	15.80	98	49	0.208	60
PEXF6RT0252520	25X20X25	19.75	19.75	15.80	103	49	0.236	56
PEXF6RT0251625	25X25X16	19.75	11.80	19.75	102	53	-	-
PEXF6RT0252025	25X25X20	19.75	15.80	19.75	104	53	-	-
PEXF6RT0252532	25X32X25	19.75	19.75	25.75	106	60	-	-
PEXF6RT0322516	32X16X25	25.75	19.75	11.80	105	50	-	-
PEXF6RT0323216	32X16X32	25.75	25.75	11.80	110	50	0.330	48
PEXF6RT0322020	32X20X20	25.75	15.80	15.80	104	53	-	-
PEXF6RT0322520	32X20X25	25.75	19.75	15.80	109	53	-	-
PEXF6RT0323220	32X20X32	25.75	25.75	15.80	114	53	0.350	48
PEXF6RT0322525	32X25X25	25.75	19.75	19.75	114	59	0.333	32
PEXF6RT0323225	32X25X32	25.75	25.75	19.75	120	59	0.390	24

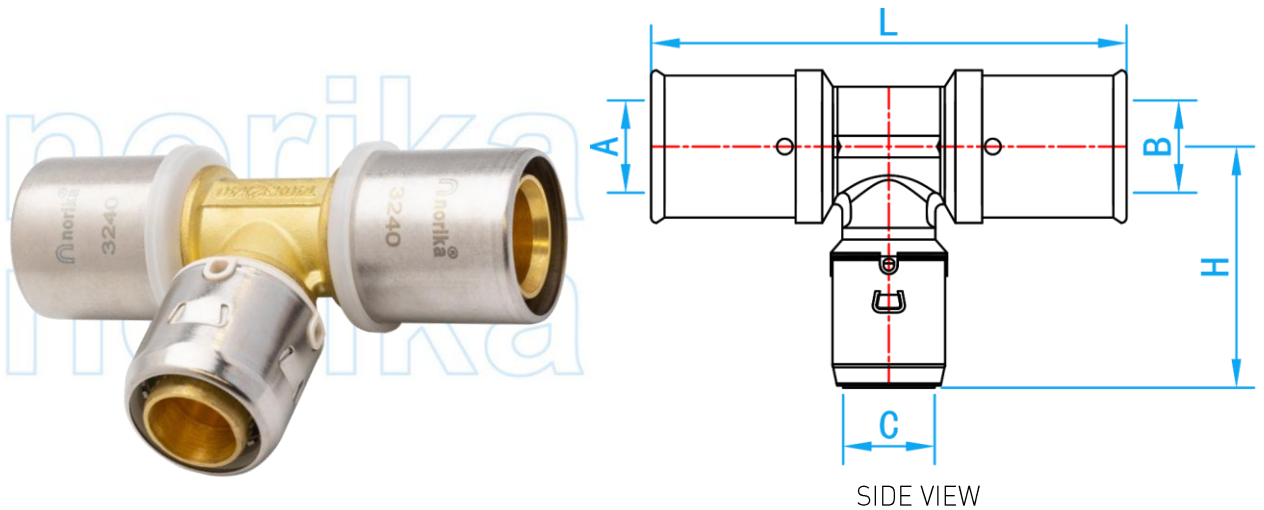
PEX MULTI LAYER PIPES AND FITTINGS



COMPLY WITH BS EN ISO 21003-1:2008
 BS EN ISO 21003-3:2008
 BS EN ISO 21003-5:2008
 BS EN 12165:2016
 AS/NZS 4020:2005
 SS 375:2015



F5 PRESSFIT X F6 PUSH-FIT PEX REDUCING TEE



DIMENSIONS

SKU	SIZE A×B×C (mm)	A (mm)	B (mm)	C (mm)	L (mm)	H (mm)	WEIGHT (kg)	PCS/CTN
PEXF6RT0404025	40×40×25	31.75	31.75	19.75	128	63	0.485	24
PEXF6RT0404032	40×40×32	31.75	31.75	25.75	136	68	0.556	20

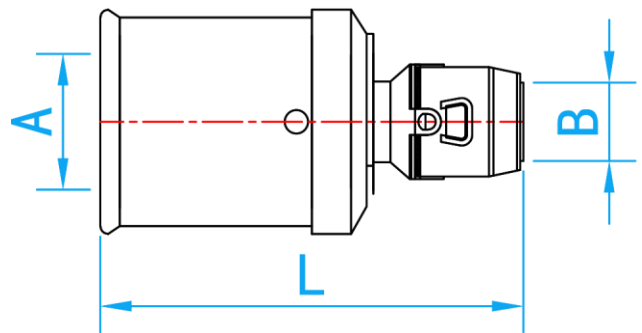
PEX MULTI LAYER PIPES AND FITTINGS



COMPLY WITH BS EN ISO 21003-1:2008
 BS EN ISO 21003-3:2008
 BS EN ISO 21003-5:2008
 BS EN 12165:2016
 AS/NZS 4020:2005
 SS 375:2015



F5 PRESSFIT X F6 PUSH-FIT PEX REDUCER



SIDE VIEW

DIMENSIONS

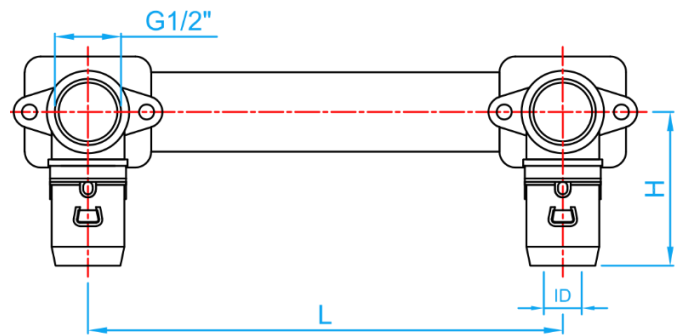
SKU	SIZE A×B (mm)	A (mm)	B (mm)	L (mm)	WEIGHT (kg)	PCS/CTN
PEXF6RS04032	40×32	31.75	25.75	85.0	0.284	42
PEXF6RS05020	50×20	40.75	15.80	93.5	0.290	38

PEX PIPES AND FITTINGS

COMPLY WITH BS EN ISO 21003-1:2008
 BS EN ISO 21003-3:2008
 SS 375:2015



F6 PUSH-FIT PEX ASSEMBLY DOUBLE FLANGE ELBOW



SIDE VIEW

DIMENSIONS

SKU	SIZE (mmxinch)	ID (mm)	L (mm)	H (mm)	WEIGHT (kg)	PCS/CTN
PEXF6FE016S	16X1/2"	11.8	150	49.5	0.223	16
PEXF6FE02016S	20X1/2"	15.8	150	51.0	-	-



TEST CERTIFICATE

POTABLE WATER FITTINGS SCHEME

Certificate Number : TC-J0259
Issue No: 02

This Certificate is awarded to the following product(s) which has / have complied with the requirements of the listed standard(s) in accordance with Stipulation of Standards and Requirements for Water Fittings for Use in Potable Water Service Installations.

Client : **Liang Chew Hardware Pte Ltd**
 133 Kitchener Road
 Singapore 208517

Product : DZR Brass Ball Valves (Type 6)

Brand / Model : Norika / PEXF6BV16, PEXF6BV20, PEXF6BV25

Detail : Sizes (mm): 16, 20 & 25
 F6 PEX Push-Fit

Test Standard(s) : BS EN 13828: 2003, BS EN 12165: 2016,
 AS/NZS 4020: 2018, SS 375: 2015

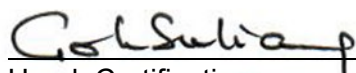
Test Report(s) : 2120979/02-OYC, 2020843/01-CPC, 2020889-
 CPC, 1920431/01-CPC

A sample of the product submitted was tested and found to comply with the test requirements of the above standard(s).

Date of Original Issue : 21 April 2021

Date of Last Revision : 07 Feb 2023

Date of Expiry : 20 April 2025


 Head, Certification
Singapore Test Lab Pte Ltd

This Certificate is part of a full report and should be read in conjunction with it. This Certificate remains the property of Singapore Test Lab Pte Ltd and shall be returned upon request. The use of this Certificate is subjected to the Terms and Conditions of Singapore Test Lab Pte Ltd. The manufacturer is solely responsible for the compliance of any product that has the same designation as the product type tested.



Singapore Test Lab Pte Ltd certifies according to ISO / IEC 17065

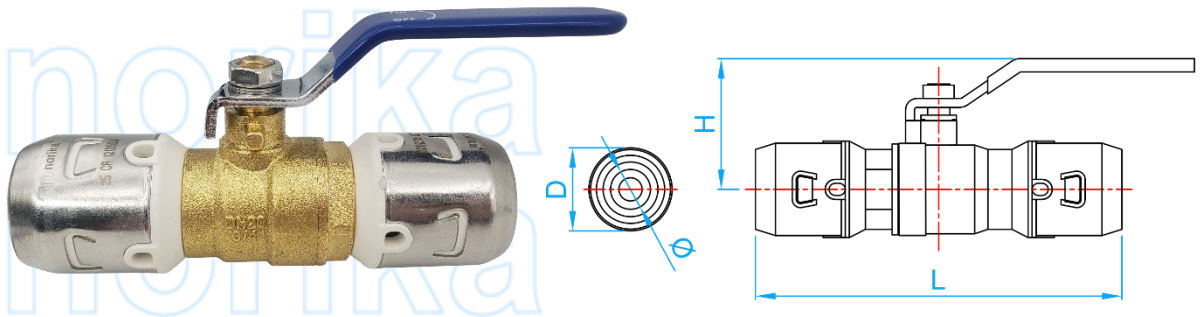


PEX PIPES AND FITTINGS

COMPLY WITH BS EN ISO 21003-1:2008
 BS EN ISO 21003-3:2008
 SS 375:2015



F6 PUSH-FIT PEX BALL VALVE



DIMENSIONS

SKU	SIZE (mm)	D (mm)	L (mm)	H (mm)	WEIGHT (kg)	PCS/CTN
PEXF6BV016	16	25	92.5	38	0.156	120
PEXF6BV020	20	29	100.0	43	0.236	96
PEXF6BV025	25	35	114.5	46	0.324	72

Built For Water



Main Office

133 Kitchener Road
Singapore 208517

Mon-Fri: 8:00am - 5:30pm
Sat: 8:00am - 1:00pm
Sun & PH: Closed

North Office

10 Admiralty Street, North
Link Building #02-45
Singapore 757695

Mon-Fri: 8:00am - 5:00pm
Sat: 8:00am - 1:00pm
Sun & PH: Closed