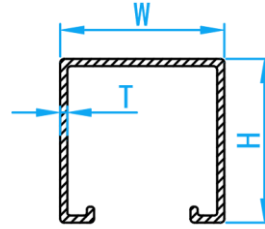
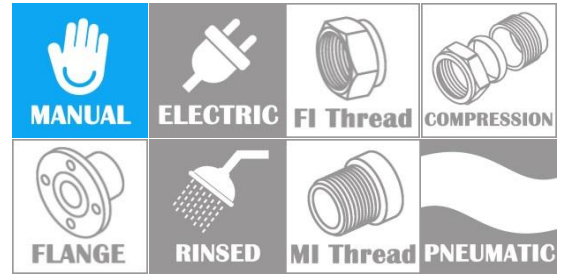
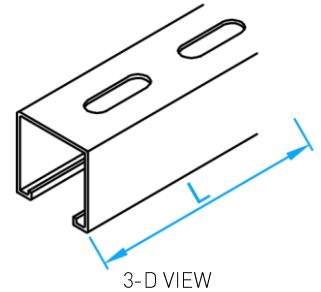


# UNISTRUT CHANNEL



CROSS SECTIONAL VIEW



3-D VIEW

## STANDARD SPECIFICATIONS

Material	Rolled Pre-galvanised Steel Channel Sections
----------	--

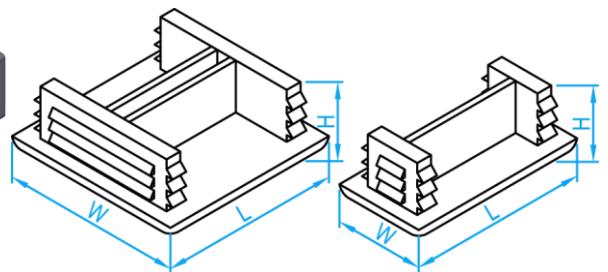
## DIMENSIONS

SKU	Hole (mm)	W(mm)	H (mm)	L (mm)	T(mm)	WEIGHT (kg)
OL4141SL	With Hole	41.3	41	6000	2.5	15.40
OL4141SL-3M	With Hole	41.3	41	3000	2.5	7.70
OL4141	Without Hole	41.3	41	6000	2.5	15.40
OL4141-3M	Without Hole	41.3	41	3000	2.5	7.70
OL4121SL	With Hole	41.3	21	6000	2.5	10.30
OL4121SL-3M	With Hole	41.3	21	3000	2.5	5.20
OL4121	Without Hole	41.3	21	6000	2.5	10.30
OL4121-3M	Without Hole	41.3	21	3000	2.5	5.20

# UNISTRUT CHANNEL PVC END CAP



INSTALLATION ASSEMBLY

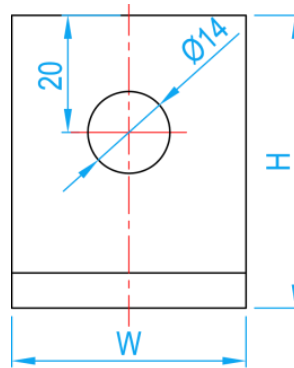
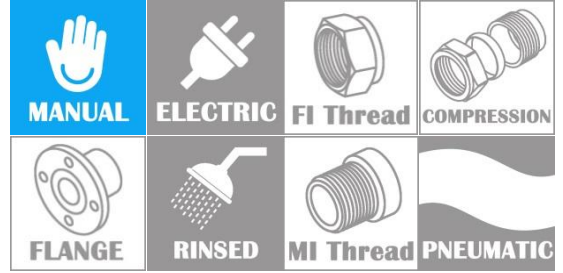


3-D VIEW

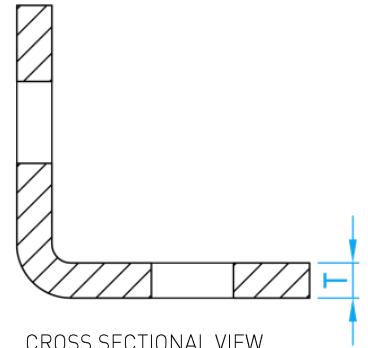
## DIMENSIONS

SKU	Material	L(mm)	W (mm)	H (mm)	WEIGHT (kg)	PCS/CTN
OLEC41	PVC	41.0	41.0	12.0	0.0060	600
OLEC21	PVC	21.0	42.0	12.3	0.0028	500

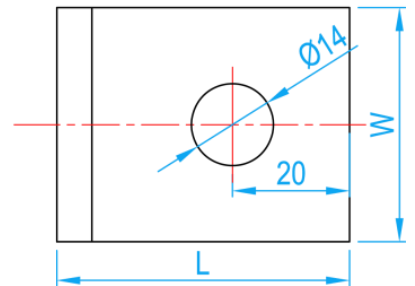
# UNISTRUT SLOTTED BRACKET



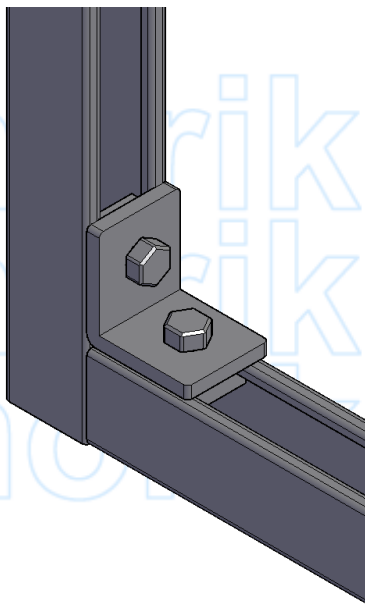
SIDE VIEW



CROSS SECTIONAL VIEW



SIDE VIEW



INSTALLATION ASSEMBLY

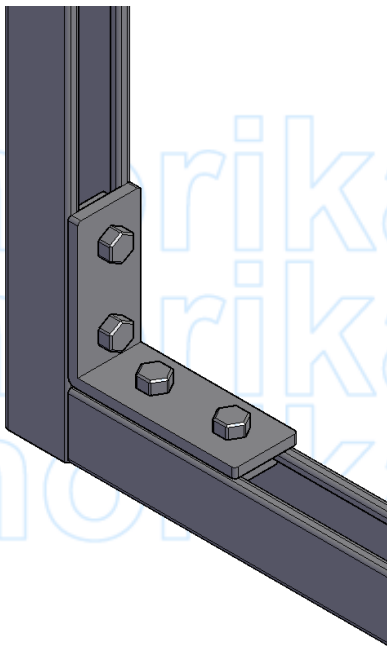
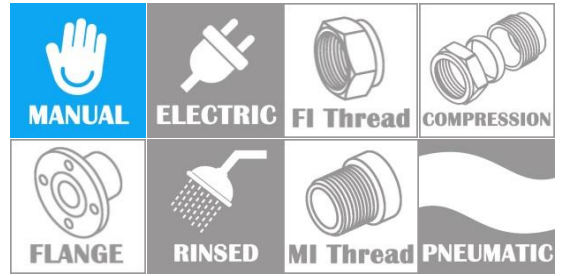
## COMPONENT PARTS

MATERIAL	Mild Steel
COATING	Cold Galvanized

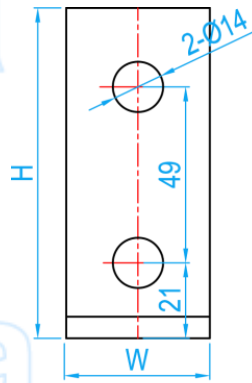
## DIMENSIONS

SKU	W (mm)	H (mm)	L (mm)	T (mm)	WEIGHT (kg)	PCS/CTN
OLSBA50	40	50	50	6	0.145	100

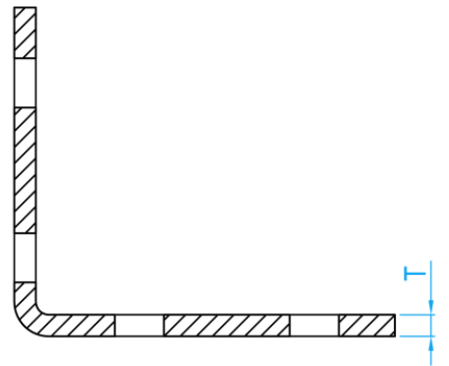
# UNISTRUT SLOTTED ANGLE BRACKET



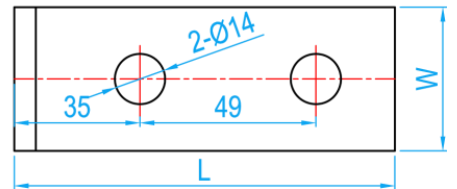
INSTALLATION ASSEMBLY



SIDE VIEW



CROSS SECTIONAL VIEW



SIDE VIEW

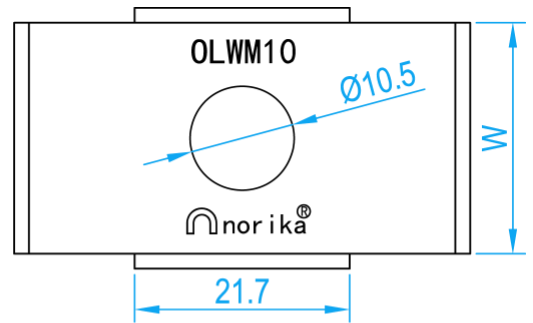
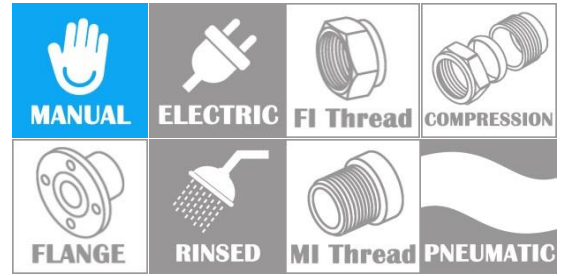
## COMPONENT PARTS

MATERIAL	Mild Steel
COATING	Cold Galvanized

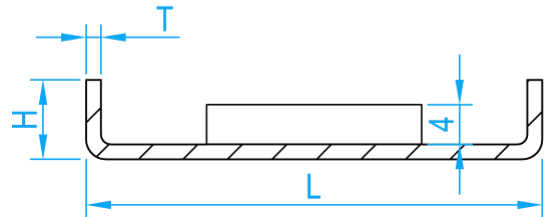
## DIMENSIONS

SKU	W (mm)	H (mm)	L (mm)	T (mm)	WEIGHT (kg)	PCS/CTN
OLSBA100	40	92	106	6	0.300	50

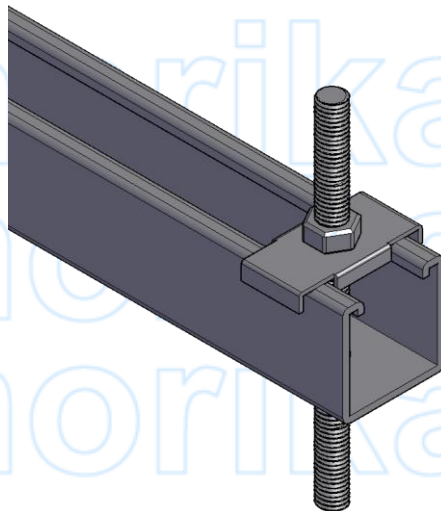
# UNISTRUT HOLDING BRACKET



TOP VIEW



CROSS SECTIONAL VIEW



INSTALLATION ASSEMBLY

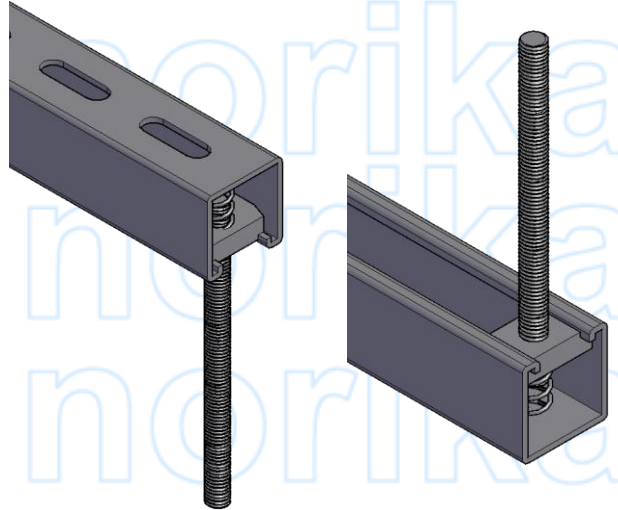
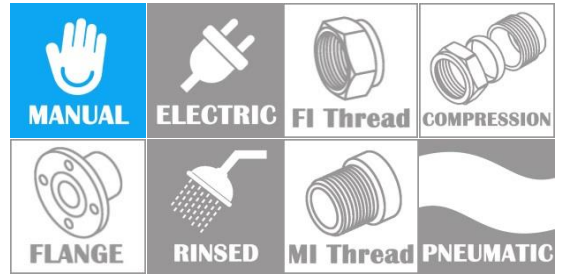
## COMPONENT PARTS

MATERIAL	Mild Steel
COATING	Cold Galvanized

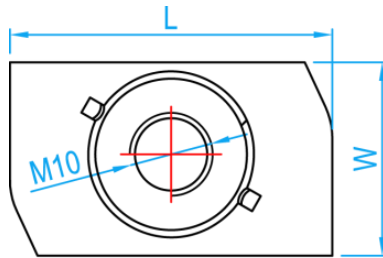
## DIMENSIONS

SKU	W (mm)	H (mm)	L (mm)	T (mm)	WEIGHT (kg)	PCS/CTN
OLHB21	23.3	7	50	1.5	0.017	1000

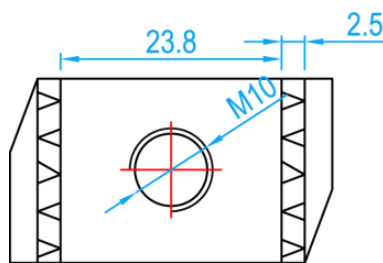
# UNISTRUT LONG SPRING CHANNEL NUT



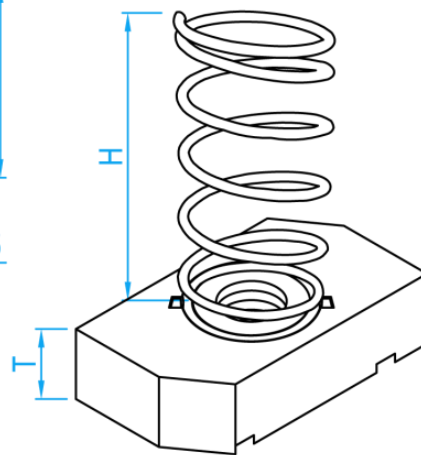
INSTALLATION ASSEMBLY



TOP VIEW



BOTOM VIEW



3-D VIEW

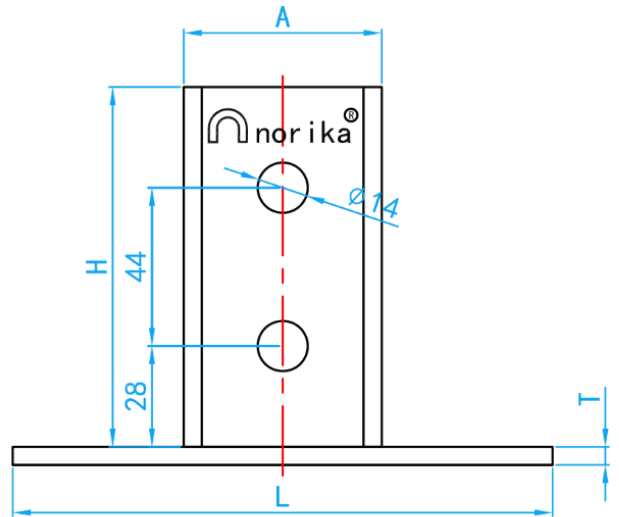
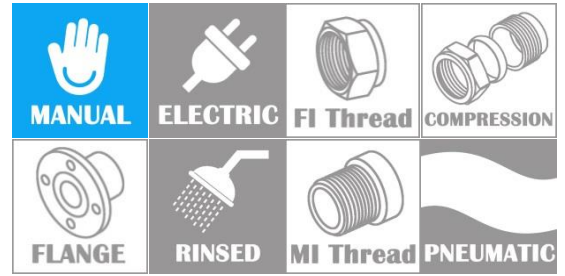
COMPONENT PARTS

MATERIAL	Mild Steel
COATING	Cold Galvanized

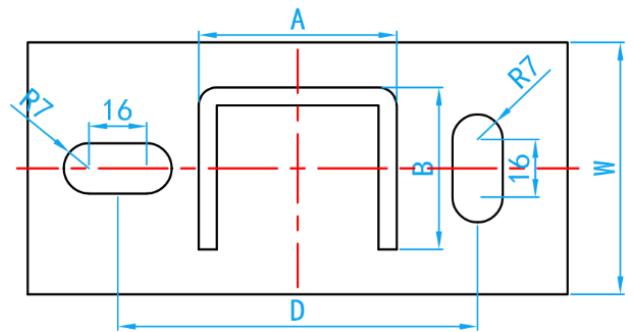
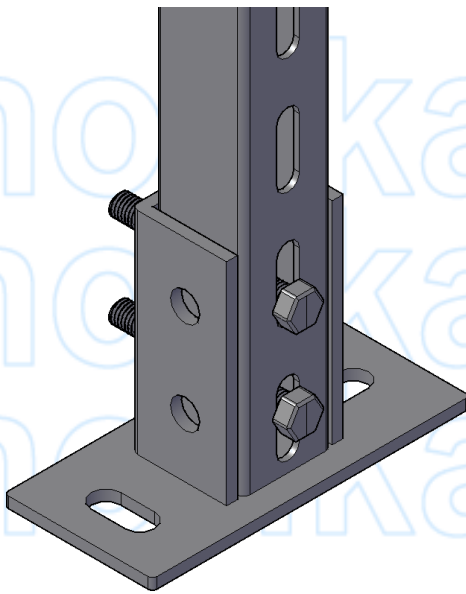
DIMENSIONS

SKU	W (mm)	H (mm)	L (mm)	T (mm)	WEIGHT (kg)	PCS/CTN
OLSNM10	21	36	35	9.5	0.046	400

# UNISTRUT END SUPPORT BRACKET



SIDE VIEW



TOP VIEW

## INSTALLATION ASSEMBLY

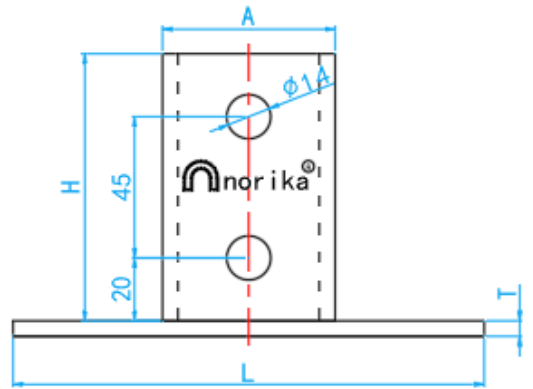
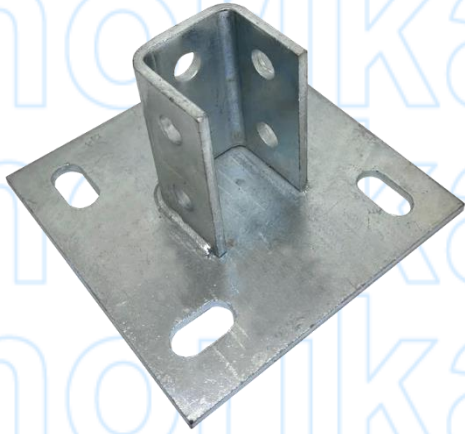
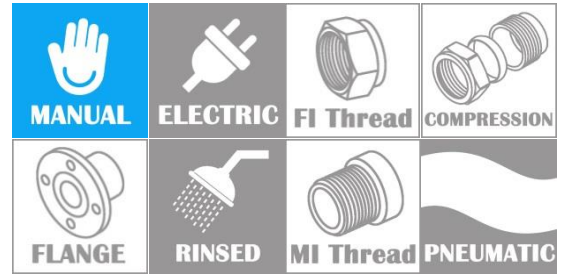
### COMPONENT PARTS

MATERIAL	Mild Steel
COATING	Cold Galvanized

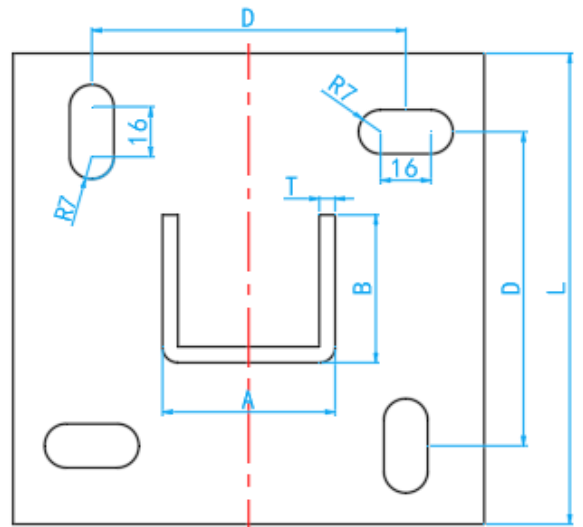
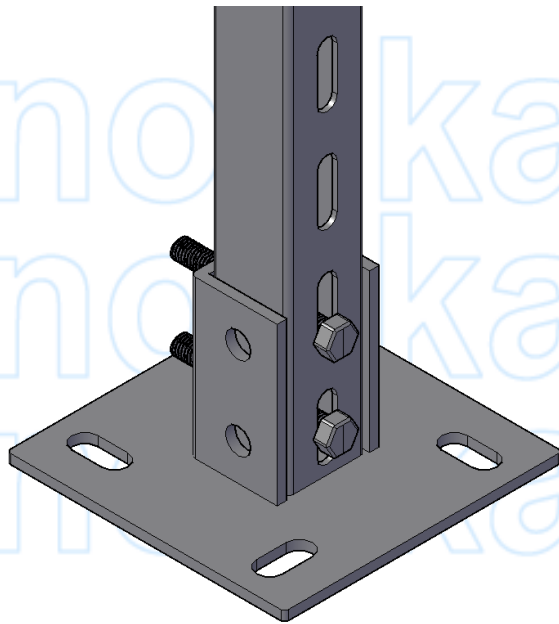
### DIMENSIONS

SKU	L (mm)	W (mm)	T (mm)	H (mm)	A (mm)	B (mm)	D (mm)	WEIGHT (kg)	PCS/CTN
OLES4141	150	70	5	100	55	45	100	0.825	40

# UNISTRUT END BIG SUPPORT BRACKET



SIDE VIEW



TOP VIEW

INSTALLATION ASSEMBLY

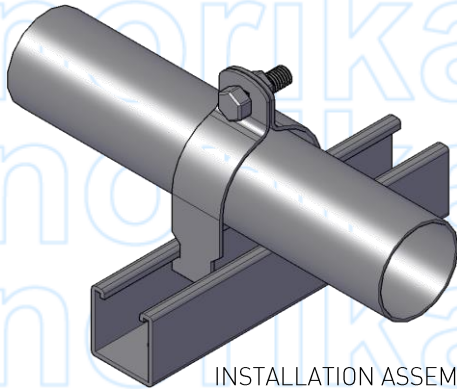
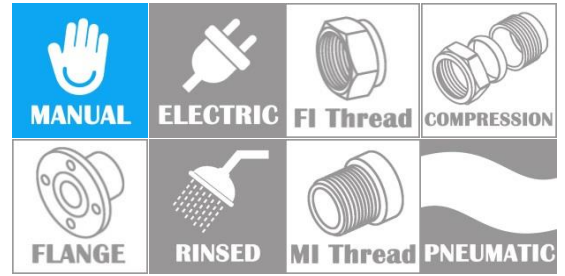
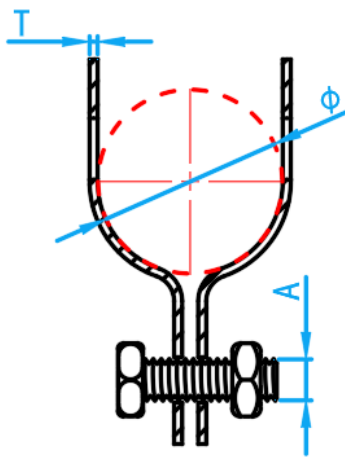
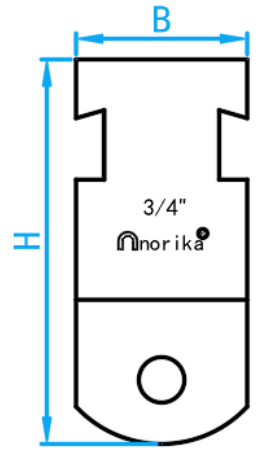
## COMPONENT PARTS

MATERIAL	Mild Steel
COATING	Cold Galvanized

## DIMENSIONS

SKU	L (mm)	T (mm)	H (mm)	A (mm)	B (mm)	D (mm)	WEIGHT (kg)	PCS/CTN
OLESB4141	150 x 150	5	85	55	47	100	1.21	20

# UNISTRUT CLAMP (TWO HALF PIECES WITH SCREW NUT)


**INSTALLATION ASSEMBLY**

**CROSS SECTIONAL VIEW**

**SIDE VIEW**
**COMPONENT PARTS**

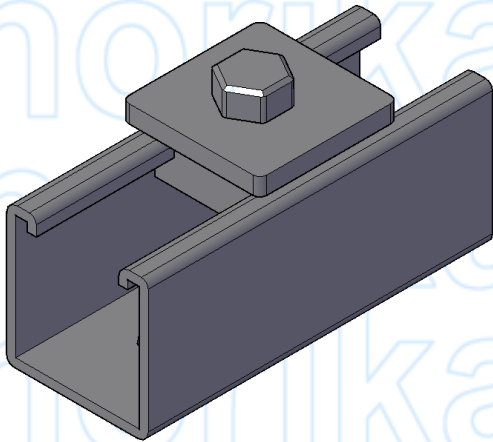
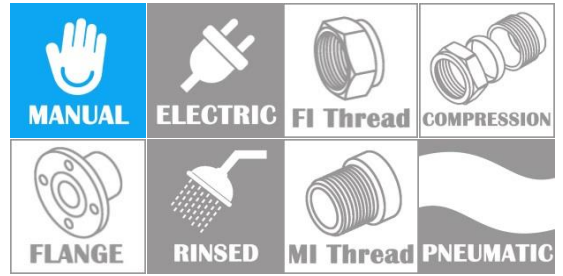
MATERIAL	Mild Steel
COATING	Cold Galvanized

**DIMENSIONS**

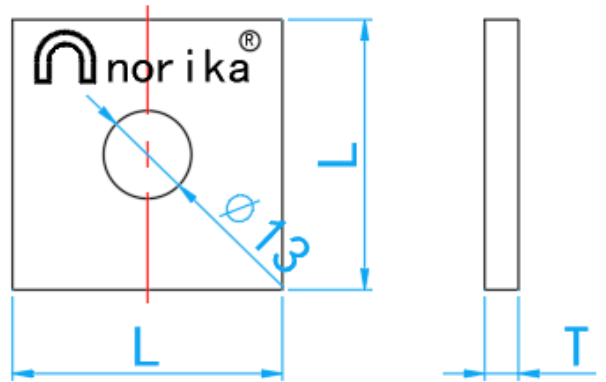
SKU	∅ (mm)	A (mm)	B (mm)	H (mm)	T (mm)	WEIGHT (kg)	PCS/CTN
OLSC015	21.0	M6*25	32.0	64.0	1.1	0.035	600
OLSC020	27.0		32.0	72.0	1.1	0.040	500
OLSC025	33.5		32.0	72.0	1.1	0.044	500
OLSC035	42.3		32.0	82.0	1.5	0.067	400
OLSC040	48.0		32.0	95.0	1.5	0.071	300
OLSC050	60.0	M8*30	32.0	105.0	2.0	0.124	220
OLSC065	75.5		32.0	115.0	2.0	0.145	200
OLSC080	88.5		32.0	134.0	2.0	0.165	180
OLSC100	114.0		32.0	158.0	2.0	0.195	120
OLSC150	165.0		32.0	205.0	2.5	0.326	85
OLSC200	219.0	M8*40	32.0	265.0	2.5	0.408	60
OLSC250	273.0		32.0	325.0	2.5	0.500	40
OLSC300	324.0		32.0	380.0	2.5	0.575	40



# UNISTRUT HOLDING WASHER



INSTALLATION ASSEMBLY



TOP VIEW

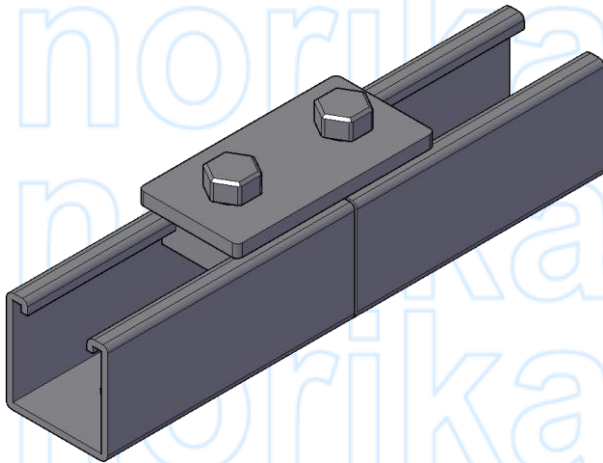
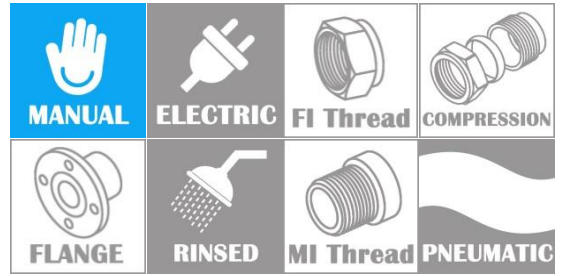
COMPONENT PARTS

MATERIAL	Mild Steel
COATING	Cold Galvanized

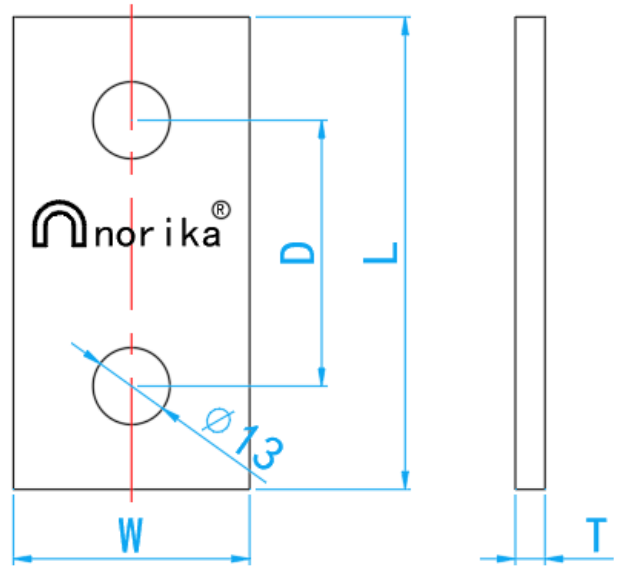
DIMENSIONS

SKU	L (mm)	T (mm)	WEIGHT (kg)	PCS/CTN
OLW4040	40	5	0.055	200

# UNISTRUT 2 HOLE FLAT PLATE



INSTALLATION ASSEMBLY



TOP VIEW

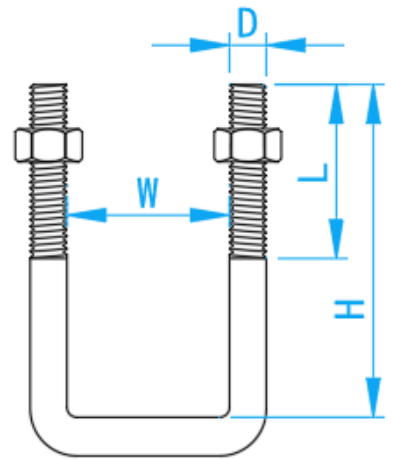
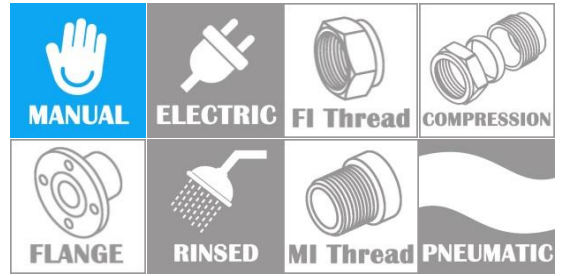
COMPONENT PARTS

MATERIAL	Mild Steel
COATING	Cold Galvanized

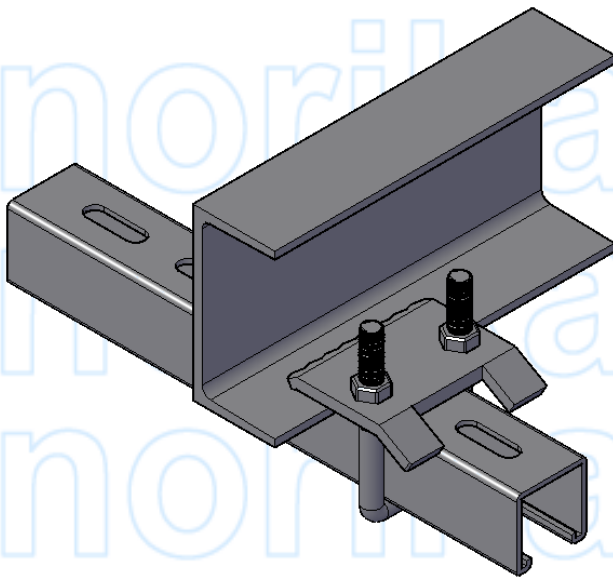
DIMENSIONS

SKU	L (mm)	W (mm)	T (mm)	D (mm)	WEIGHT (kg)	PCS/CTN
OLSB1026	80	40	5	45	0.11	1000

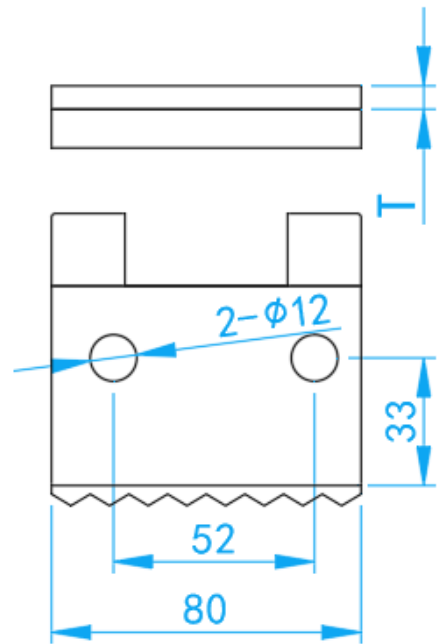
# UNISTRUT BEAM CLAMP / SINGLE U-BOLT ASSEMBLY



U BOLT SIDE VIEW



INSTALLATION ASSEMBLY

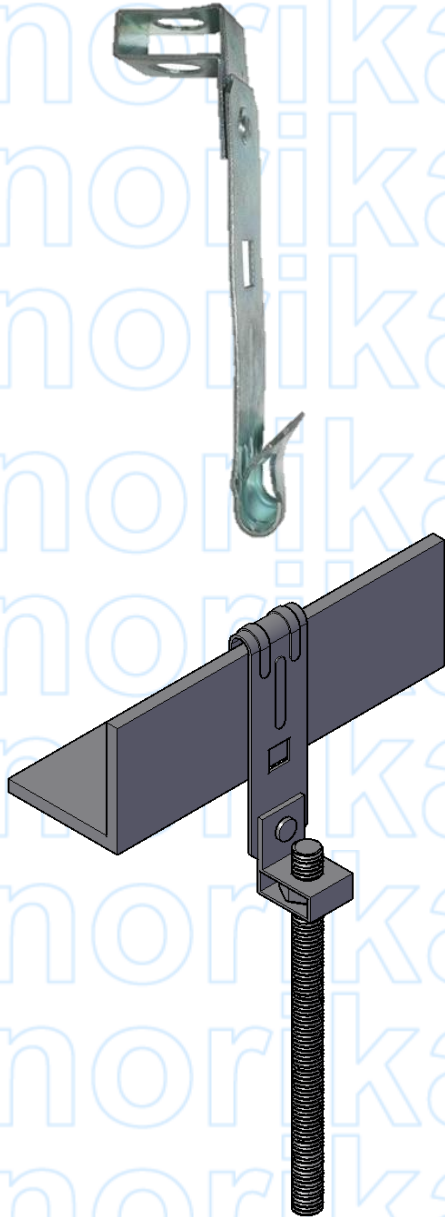
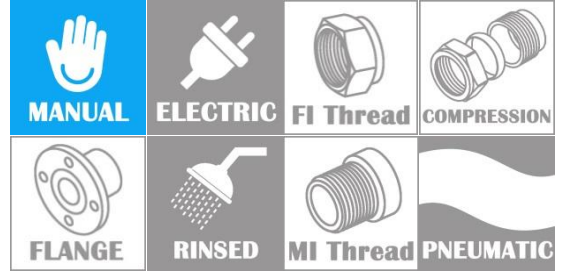


PRESSPLATE TOP VIEW

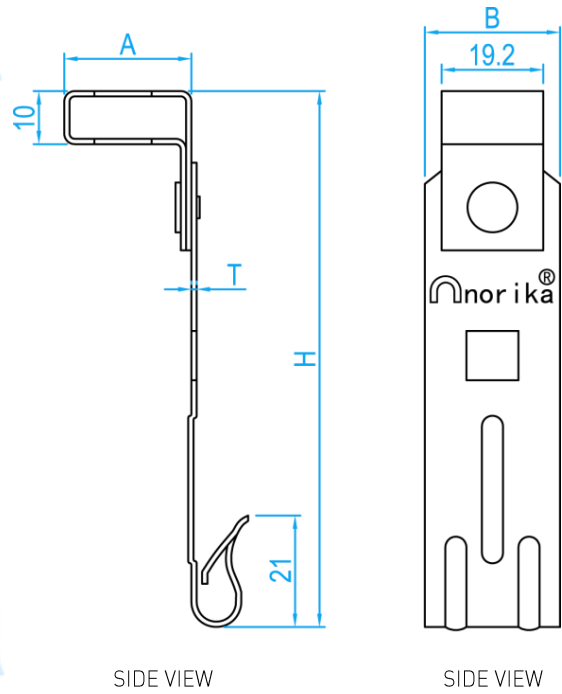
COMPONENT PARTS	
MATERIAL	Mild Steel
COATING	Cold Galvanized

DIMENSIONS							
SKU	W (mm)	D (mm)	L (mm)	H (mm)	T (mm)	WEIGHT (kg)	PCS/CTN
OLUB	42	M10	50	89	6	0.200	50

# UNISTRUT F CLIP



INSTALLATION ASSEMBLY



SIDE VIEW

SIDE VIEW

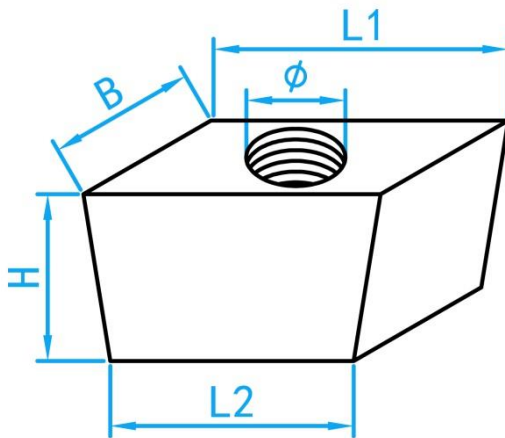
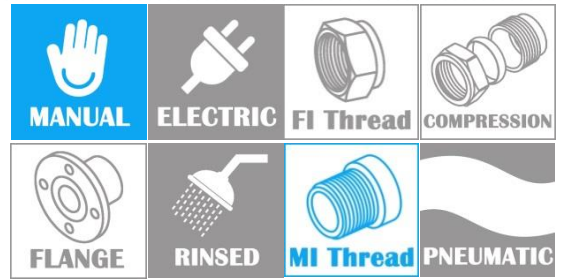
## COMPONENT PARTS

MATERIAL	Mild Steel
COATING	Cold Galvanized

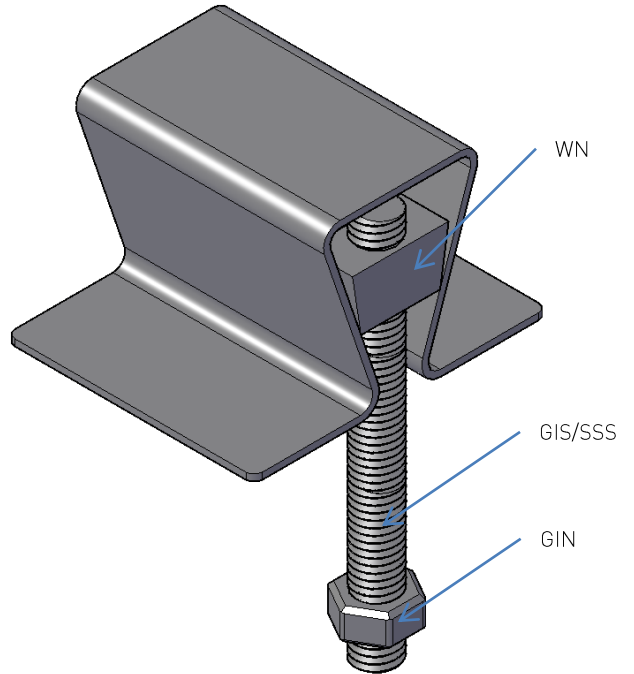
## DIMENSIONS

SKU	A (mm)	B (mm)	H (mm)	T (mm)	WEIGHT (kg)	PCS/CTN
OLFCB	24.0	25.5	101.0	1.0	0.035	500

# UNISTRUT GALVANIZED IRON WEDGE NUT



3D View



INSTALLATION ASSEMBLY

COMPONENT PARTS

MATERIAL	Mild Steel
COATING	Cold Galvanized

APPLICATIONS:

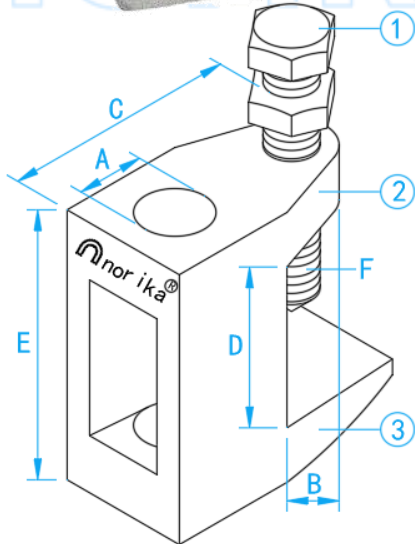
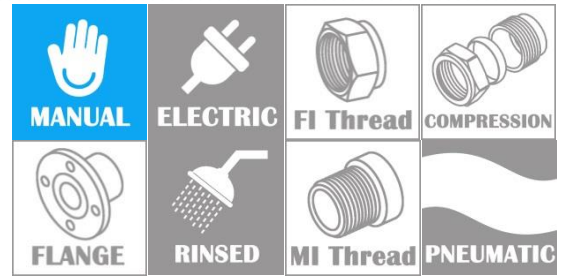
For the installation of service hangers in Norika Strut Channels.

Allowable Working Load Capacity: 3.0 KN

DIMENSIONS

SKU	Thread Size $\phi$	L1 (mm)	L2 (mm)	B (mm)	H (mm)	WEIGHT (kg)	PCS/CTN
WN38	3/8"	23.25 $\pm$ 0.5	19.12 $\pm$ 0.5	11.5 $\pm$ 0.5	13.18 $\pm$ 0.5	0.02	1000
WNM10	M10	23.25 $\pm$ 0.5	19.12 $\pm$ 0.5	11.5 $\pm$ 0.5	13.18 $\pm$ 0.5	0.02	1000

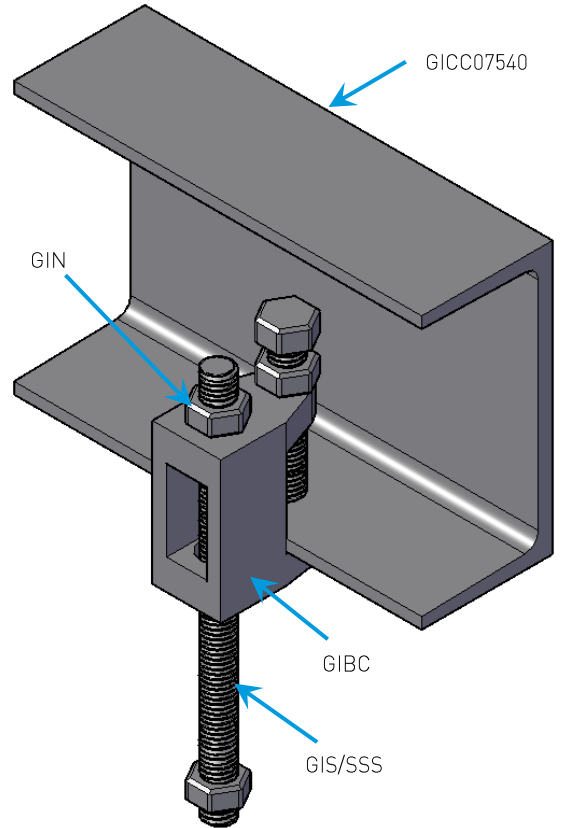
# UNISTRUT GALVANIZED IRON BEAM CLAMP



3-D VIEW

**APPLICATION:**

For attachment to the top flange of structural shapes or for use under roof installations with bar joist type construction where the thickness of flange or joist does not exceed 5/8".



INSTALLATION ASSEMBLY

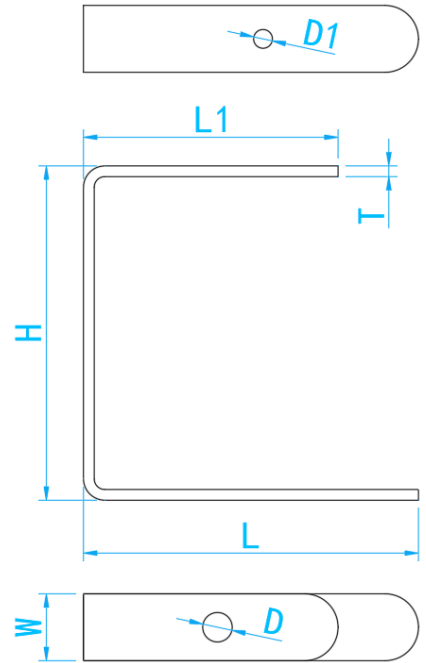
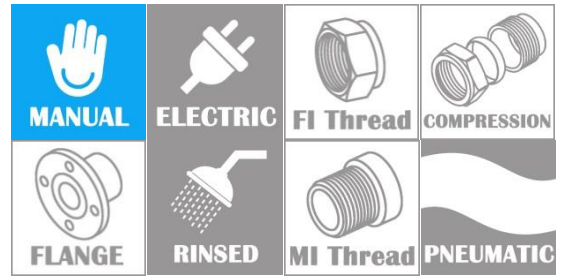
**COMPONENT PARTS**

ITEM	PARTS	MATERIAL
1.	Bolt	Mild Steel
2.	Body	Mild Steel
3.	Finishing	Cold Galvanized

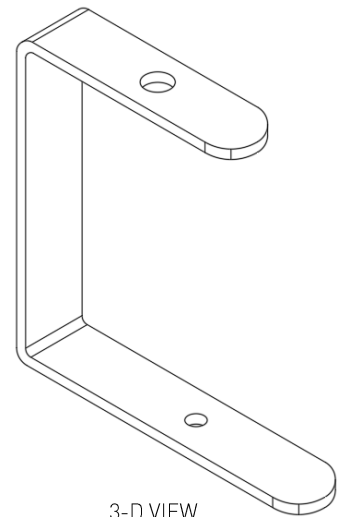
**STANDARD SPECIFICATIONS**

SKU	A	B (mm)	C (mm)	D (mm)	E (mm)	F (inch)	MAX REC LOAD (kg)	WEIGHT (kg)	PCS/CTN
GIBC38	3/8" 10mm	24	43	17	40	3/8"	500	0.153	100
GIBC38B (BIG MOUTH)	3/8" 10mm	21	44	32	52	3/8"	500	0.265	100
GIBC12B (BIG MOUTH)	1/2" 13mm	21	44	32	52	3/8"	950	0.245	100

# UNISTRUT C TYPE BRACKET (FOR CABLE TRAY)



SIDE VIEW



3-D VIEW

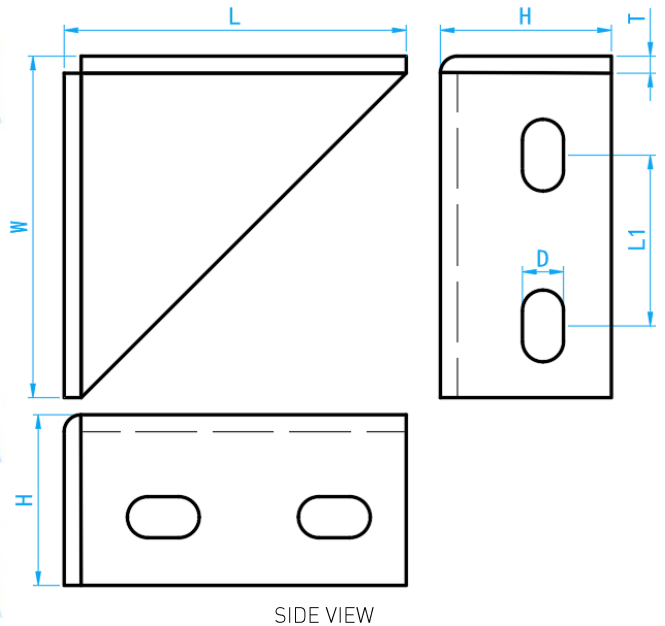
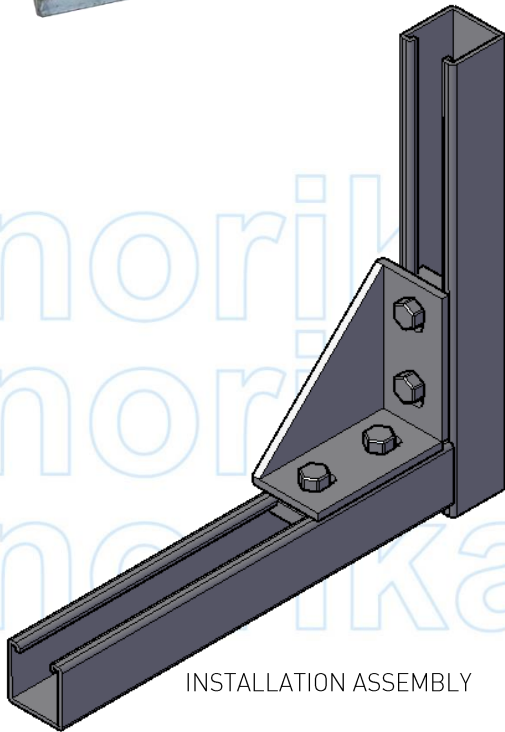
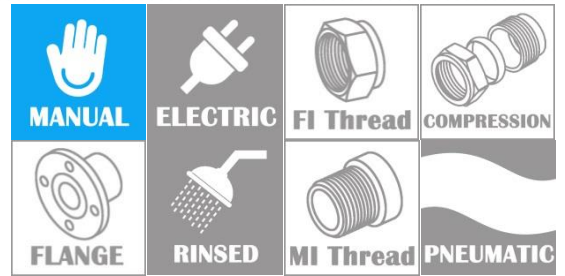
COMPONENT PARTS

MATERIAL	Mild Steel
COATING	Cold Galvanized

DIMENSIONS

SKU	Material	L (mm)	L1 (mm)	H (mm)	W (mm)	D (mm)	D1 (inch)	T (mm)	WEIGHT (kg)	PCS/CTN
OLCTB	Cold Galvanized	125	95	125	25	11	7	4	0.2463	60

# UNISTRUT 90° CORNER MOUNTING BRACKET



## COMPONENT PARTS

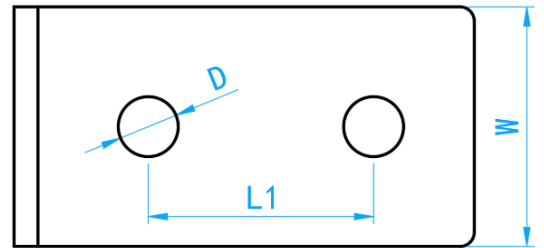
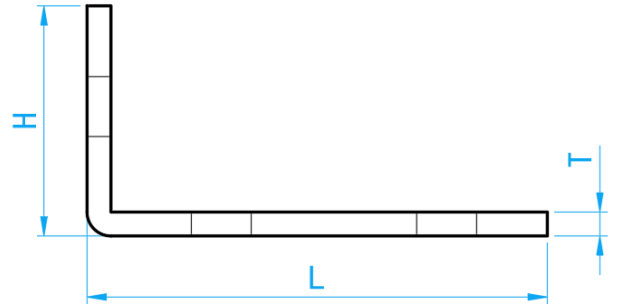
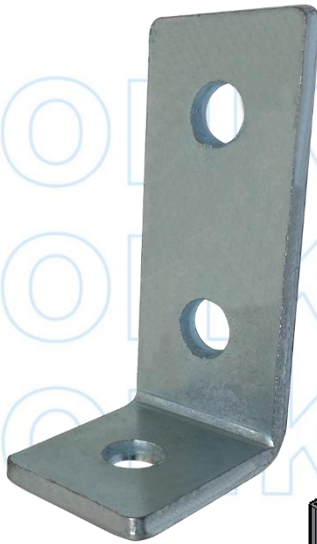
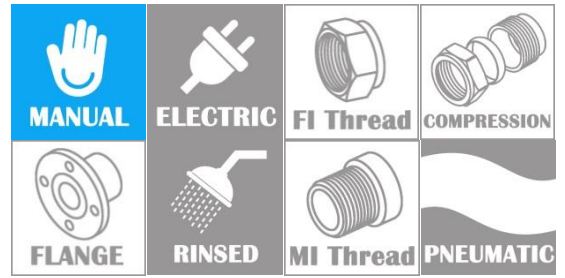
MATERIAL	Mild Steel
COATING	Cold Galvanized

## DIMENSIONS

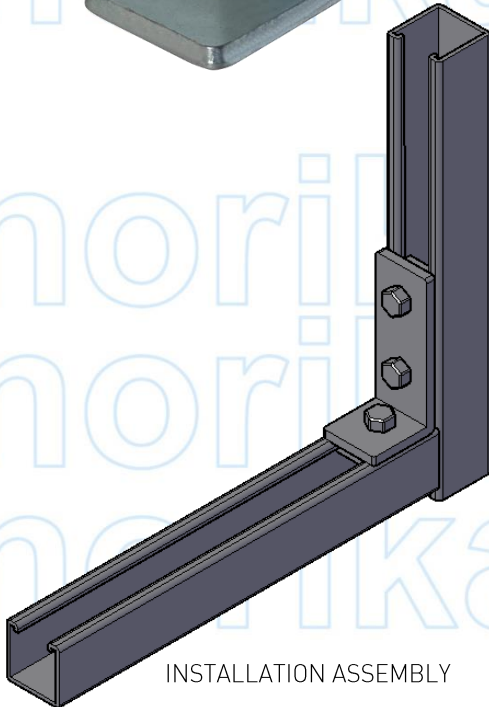
SKU	Material	L (mm)	L1 (mm)	H (mm)	W (mm)	D (mm)	T (mm)	WEIGHT (kg)	PCS/CTN
OLSACB	Cold Galvanized	100	50	50	100	12	5	0.428	50



# UNISTRUT 90° MOUNTING BRACKET



SIDE VIEW



INSTALLATION ASSEMBLY

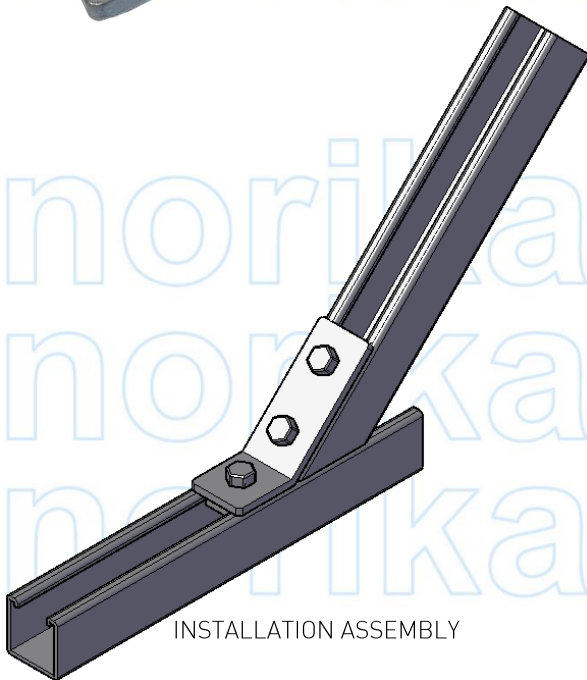
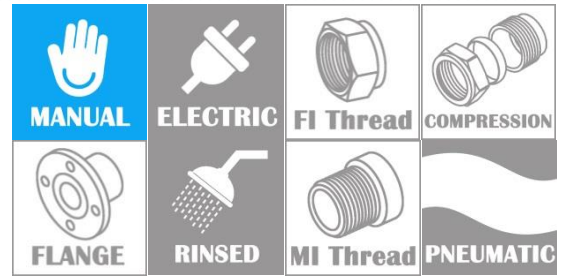
COMPONENT PARTS

MATERIAL	Mild Steel
COATING	Cold Galvanized

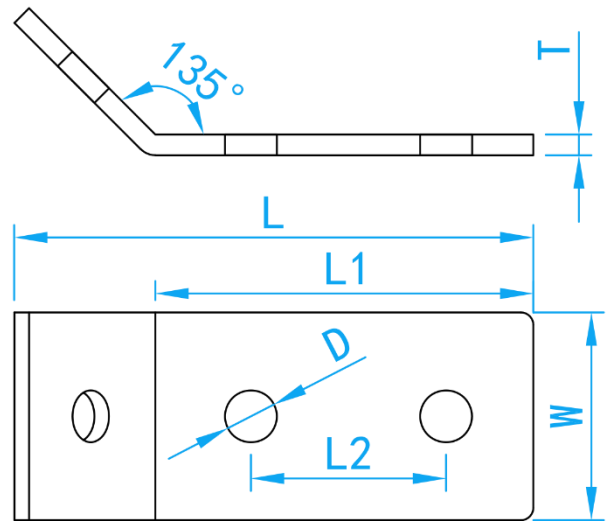
DIMENSIONS

SKU	L (mm)	L1 (mm)	H (mm)	W (mm)	D (mm)	T (mm)	WEIGHT (kg)	PCS/CTN
OLSBA090	96	47	48	40	12.5	5	0.192	100

# UNISTRUT 45° MOUNTING BRACKET



INSTALLATION ASSEMBLY



SIDE VIEW

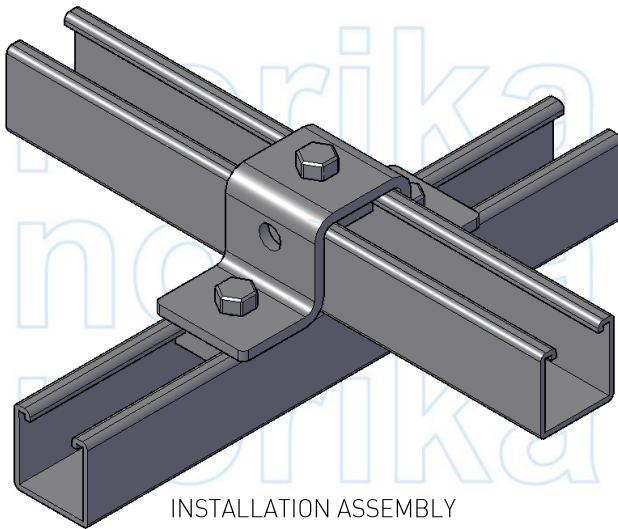
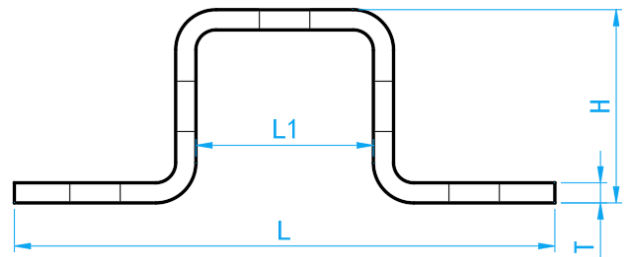
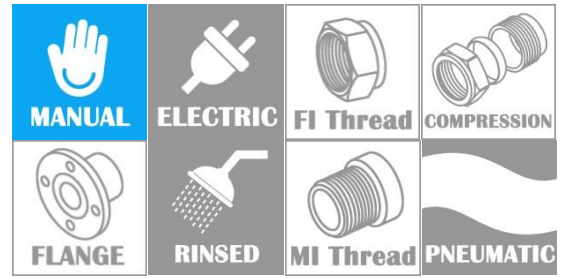
COMPONENT PARTS

MATERIAL	Mild Steel
COATING	Cold Galvanized

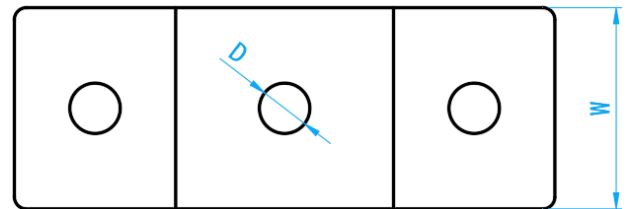
DIMENSIONS

SKU	L (mm)	L1 (mm)	L2 (mm)	W (mm)	D (mm)	T (mm)	WEIGHT (kg)	PCS/CTN
OLSBA09045	125	91	47	40	12.5	5	0.192	100

# UNISTRUT U-SHAPED CONNECTOR BRACKET



INSTALLATION ASSEMBLY



SIDE VIEW

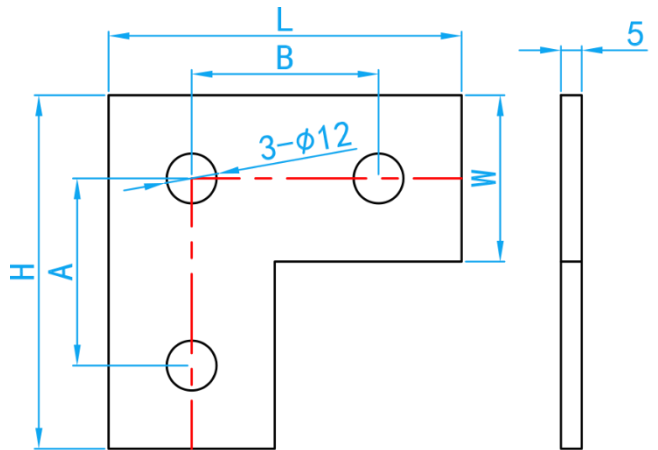
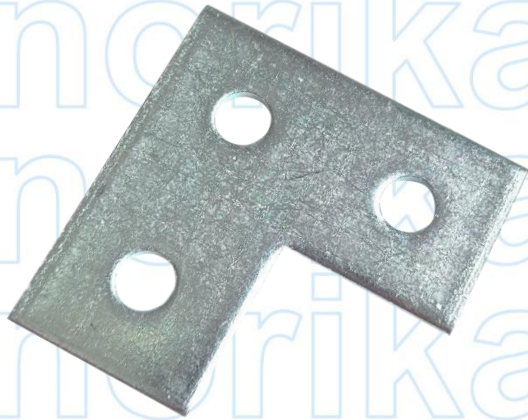
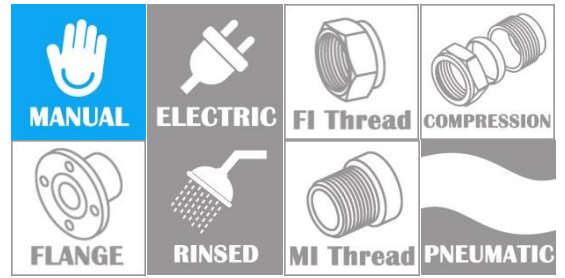
COMPONENT PARTS

MATERIAL	Mild Steel
COATING	Cold Galvanized

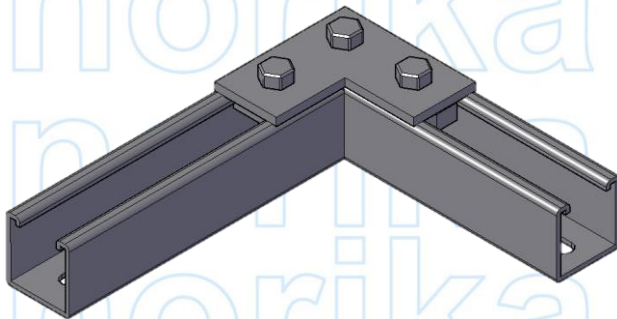
DIMENSIONS

SKU	L (mm)	L1 (mm)	H (mm)	W (mm)	D (mm)	T (mm)	WEIGHT (kg)	PCS/CTN
OLCB4141	134	44	48	40	12.5	5	0.272	100

# UNISTRUT FLAT L PLATE BRACKET



SIDE VIEW



INSTALLATION ASSEMBLY

## COMPONENT PARTS

MATERIAL	Mild Steel
COATING	Cold Galvanized

## DIMENSIONS

SKU	H (mm)	A (mm)	L (mm)	B (mm)	HOLE D (mm)	W (mm)	T (mm)	WEIGHT (kg)	PCS/CTN
OLFLP	85	45	85	45	12	40	5	0.173	100